

M5 Corpus

User manual | American English

Welcome to the Permobil family

We hope that you enjoy your new power wheelchair. Permobil's founder, Dr. Per Uddén, believed that every person has the right to have his or her disability compensated as far as possible using the same technology that we all use in our everyday life. Your new wheelchair is a state-of-the-art medical device designed to achieve this goal by providing unparalleled convenience, comfort, and technology.

Produced and published by Permobil

Edition: 3

Date: 2021-05-03

Order no: 337281 eng-US

How to contact Permobil

Permobil Inc.
300 Duke Drive
Lebanon, TN 37090
USA



+1 800 736 0925



+1 800 231 3256



support@permobil.com



www.permobil.com



Production units. See page 73.



Local offices. See page 74.

Head office of the Permobil group

Permobil AB
Per Uddéns väg 20
861 36 Timrå
Sweden



+46 60 59 59 00



info@permobil.com



www.permobil.com

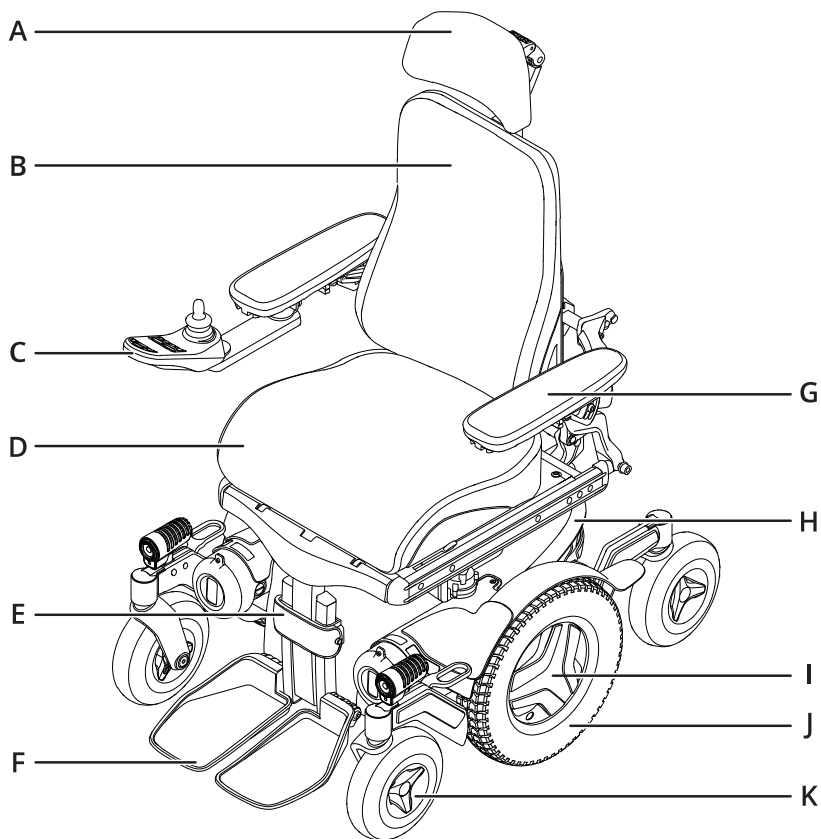
1	Introduction	4		
2	Overview	5		
2.1	Wheelchair specification	6		
2.2	Tool bag	7		
2.3	General control panel	8		
2.4	Omni2	9		
2.5	Connected wheelchair	10		
2.6	Lights and reflectors	11		
2.7	Wheels	12		
2.8	Tie-down points	13		
2.9	Serial number label	14		
2.10	Accessories	15		
2.11	Spare parts	16		
2.12	User manual	17		
3	Safety	18		
3.1	Types of warning signs	18		
3.2	Warning signs	18		
3.3	Labels	26		
4	Wheelchair usage	28		
4.1	Driving the wheelchair	28		
4.2	Seat functions	30		
4.3	Charging the batteries	35		
4.4	Freewheel mode	36		
4.5	Vehicle transportation	36		
4.6	Air transportation	39		
4.7	Main circuit breaker	41		
4.8	Wheelchair storage	41		
4.9	Manual adjustments	42		
4.9.1	Headrest	42		
4.9.2	Headrest with link hardware	44		
4.9.3	Backrest tilt	46		
4.9.4	Removing the backrest	47		
4.9.5	Armrest	47		
4.9.6	Leg rest tilt	52		
4.9.7	Footplates	52		
4.9.8	Lumbar support	54		
4.9.9	Trunk support	55		
4.9.10	Knee support	56		
4.9.11	Rotational panel holder	57		
4.9.12	Parallel panel holder	59		
4.9.13	Positioning belt	61		
5	Maintenance	62		
5.1	Maintenance and inspection schedule	63		
5.2	Cleaning	65		
5.3	Inflating the drive wheel tires	67		
5.4	Positioning belt	67		
6	Troubleshooting	68		
7	General information	70		
7.1	Warranty	70		
7.2	Standards and regulations	70		
7.3	Electromagnetic interference	70		
7.4	Reporting incidents	71		
7.5	Scrapping and recycling	71		
7.6	Technical specifications	72		

1 Introduction

Before you use your wheelchair for the first time, you must read and understand the contents of this user manual. It instructs you on how to properly and safely use and care for your wheelchair. This user manual and additional information concerning our products are available at www.permobil.com or by telephone.

Your power wheelchair is a complex medical device prescribed to you by your healthcare provider and configured to meet your needs. Permobil is not responsible for inappropriate prescription or selection of models or features, or for improper use of or modifications to the wheelchair.

2 Overview



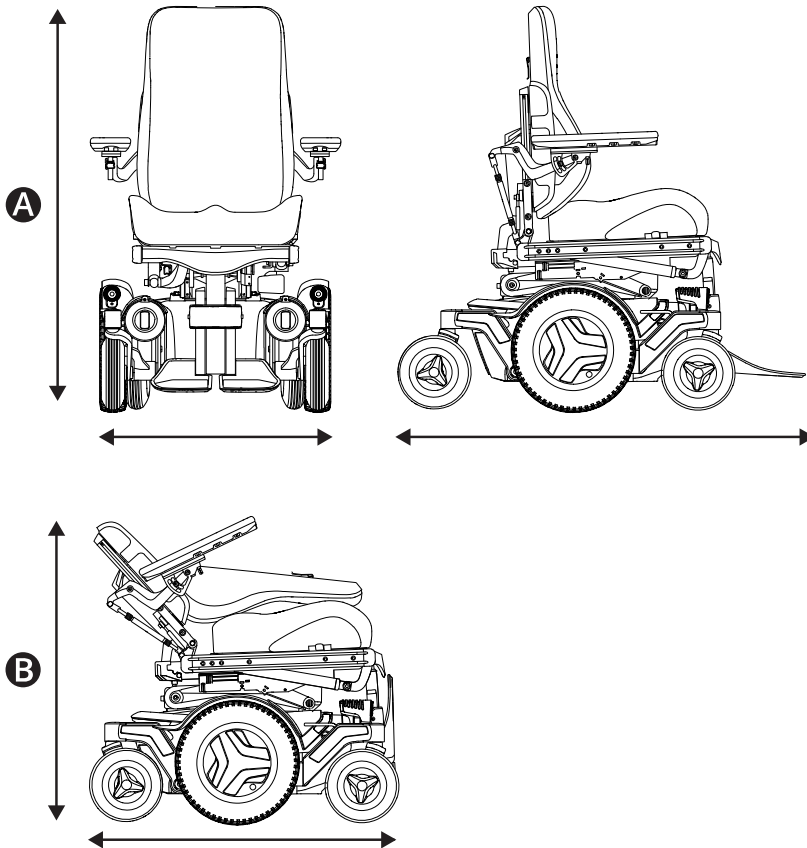
This chapter gives you an overview of your wheelchair. The parts on the overview image are described in more detail throughout the manual.

The M5 Corpus is a mid-wheel drive power wheelchair for indoor and outdoor use. It is intended for people limited to a seated position. It is not an all-terrain vehicle and must be used in accordance with the restrictions outlined in this user manual.

The expected service life of this product is five years.

- | | |
|-------------------------|-------------------------------|
| A. Headrest | G. Armrest |
| B. Backrest | H. Chassis |
| C. Control panel | I. Serial number label |
| D. Seat | J. Drive wheel |
| E. Leg rest | K. Caster wheel |
| F. Footplate | |

2.1 Wheelchair specification



Product name: **M5 Corpus**

Model version: **2**

Wheelchair class: **B**

A Height, width, and length

Height: 955–1170 mm (37.5"–46")

Width: 650–790 mm (25.5"–31")

Length: 1113 mm (44")

B Smallest transportation size

Height: 870 mm (31.5")

Width: 650–790 mm (25.5"–31")

Length: 880 mm (34.5")

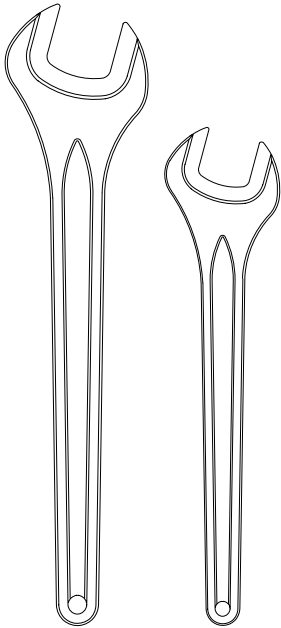
👤 Weight specification

Wheelchair with batteries: 194 kg (428 lb.)

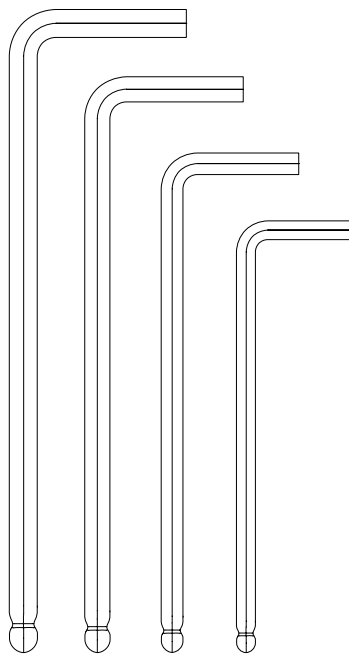
Maximum user weight: 136 kg (300 lb.)

2.2 Tool bag

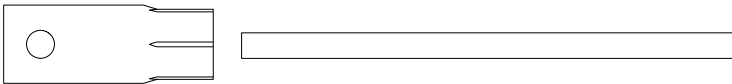
A



B



C



The wheelchair comes with a tool bag for maintenance and adjustments. It contains the following tools:

A Wrench

general maintenance

11 mm

13 mm

B Allen keys

general maintenance and seat adjustment

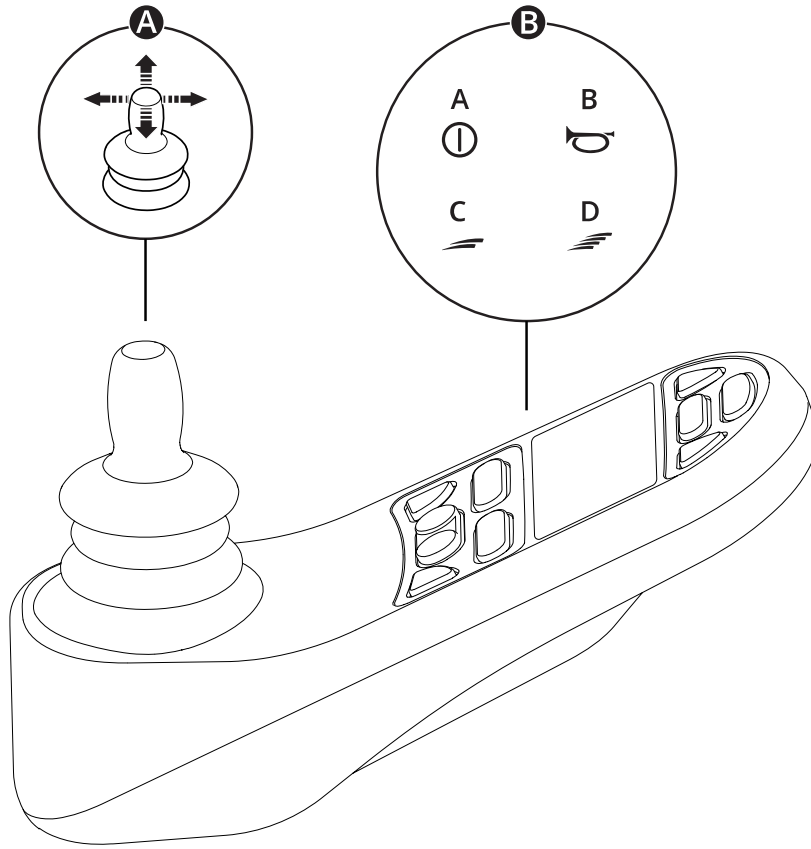
2–6 mm

C Socket wrench

general maintenance

15 mm

2.3 General control panel



A Joystick

B Example of button functions

A. On/off

B. Horn

C. Decrease maximum speed

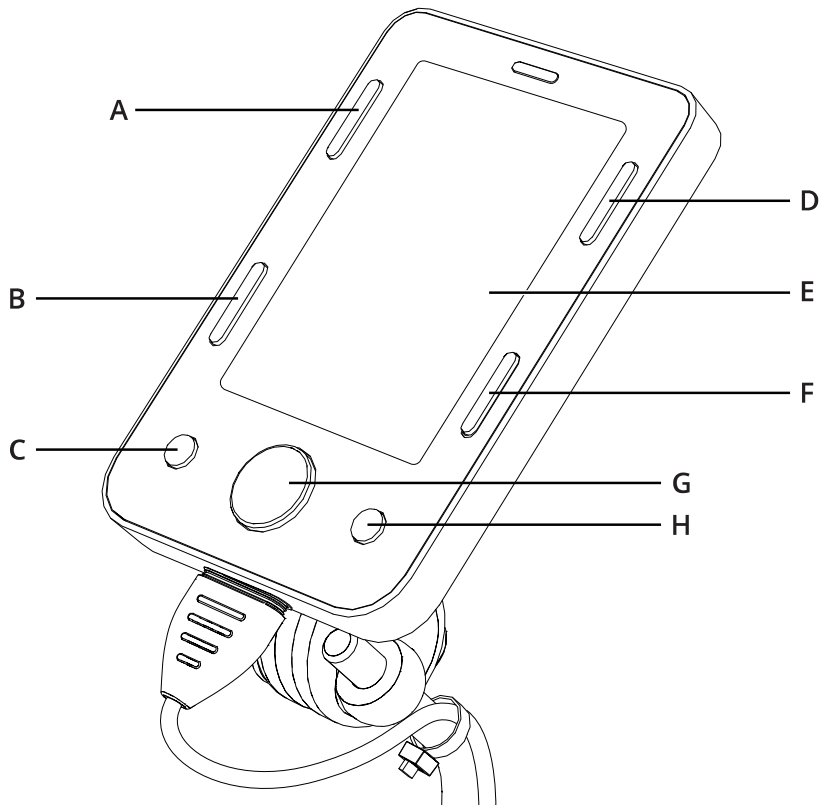
D. Increase maximum speed

For more information, see the user manual of your control panel:



https://documentation.permobil.com/manuals/control_panels/

2.4 Omni2



Your wheelchair can be equipped with an Omni2. An Omni2 is a device that makes it possible to operate the wheelchair with something other than a standard joystick.

Button configuration for Omni2.

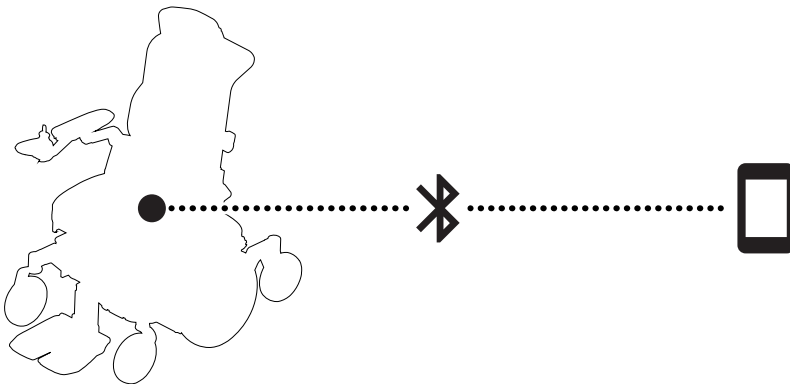
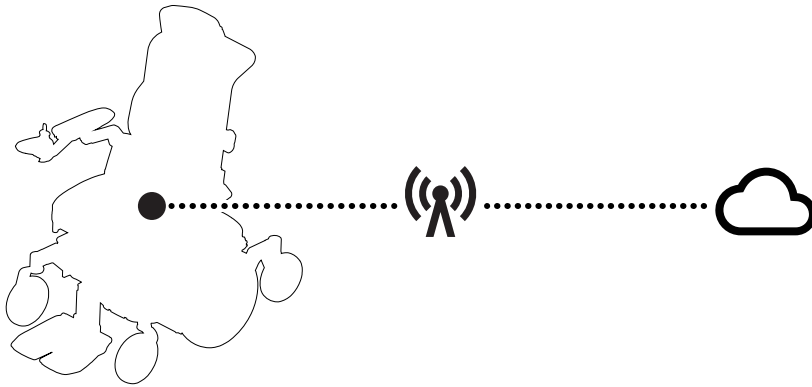
- | | |
|---------------------|----------------------|
| A. On/off | E. LCD screen |
| B. Profile | F. Mode |
| C. Minus (-) | G. Navigation |
| D. Settings | H. Plus (+) |

For more information, see the user manual of your Omni2 on the website of Curtiss-Wright:



<http://support.pgdt.com/omni2-manual.pdf>

2.5 Connected wheelchair



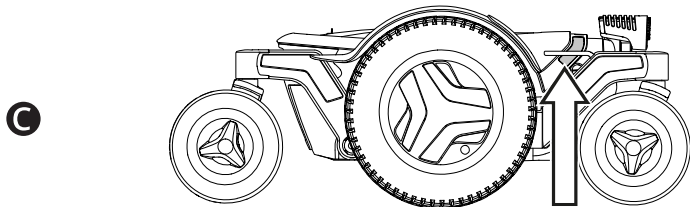
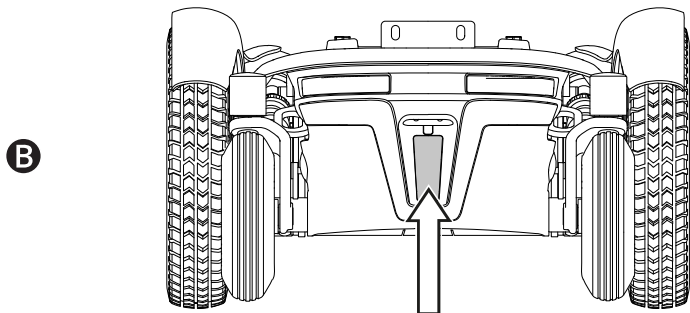
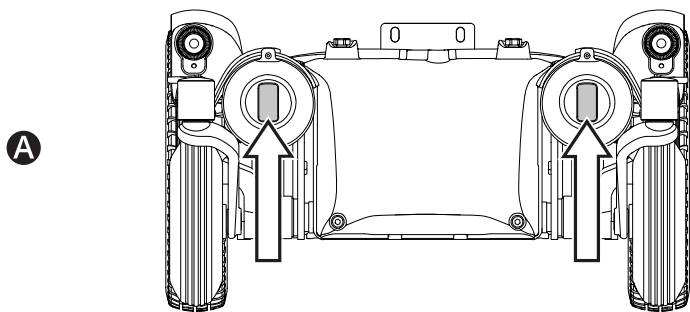
ConnectMe contains a radio transmitter. In certain areas, radio transmission is not allowed and ConnectMe must be set to flight mode ✕.

For more information, see the user manual of your control panel:



https://documentation.permobil.com/manuals/control_panels/

2.6 Lights and reflectors



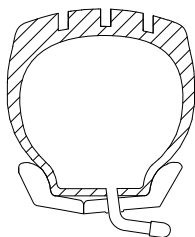
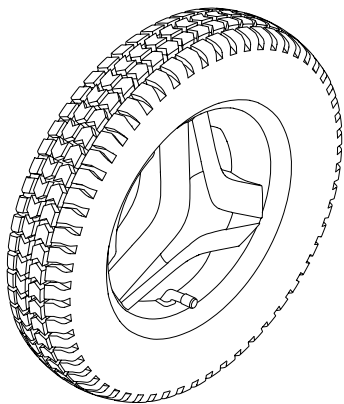
The wheelchair is equipped with reflectors at the front, the rear, and the sides.

Front lights, rear lights, and turn signals are optional.

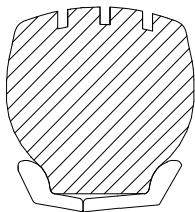
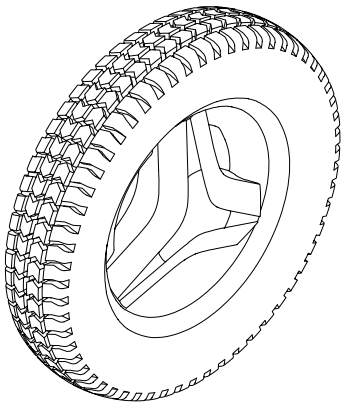
- A** Front reflectors
- B** Rear reflectors
- C** Side reflectors

2.7 Wheels

A



B



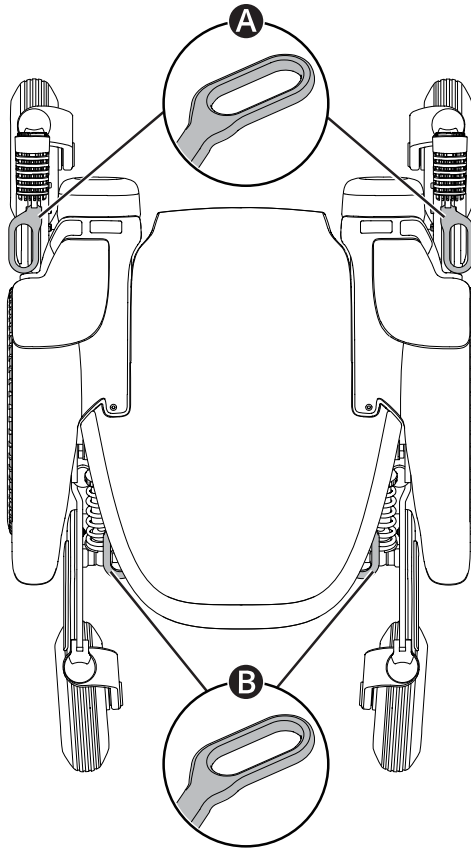
The wheelchair drive wheels have pneumatic tires or flat-free (foam filled) tires. The caster wheels have pneumatic tires or solid polyurethane tires.




A Pneumatic tires

B Flat-free (foam filled) tires

 Inflating the pneumatic tires. See page 67.

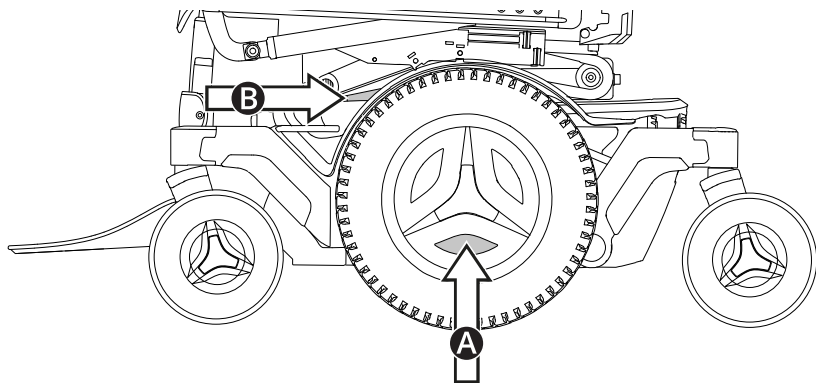
2.8 Tie-down points



The wheelchair is equipped with four tie-down points used for transportation   . Two in the front **A** and two in the rear **B**.

 Vehicle transportation. See page 36.

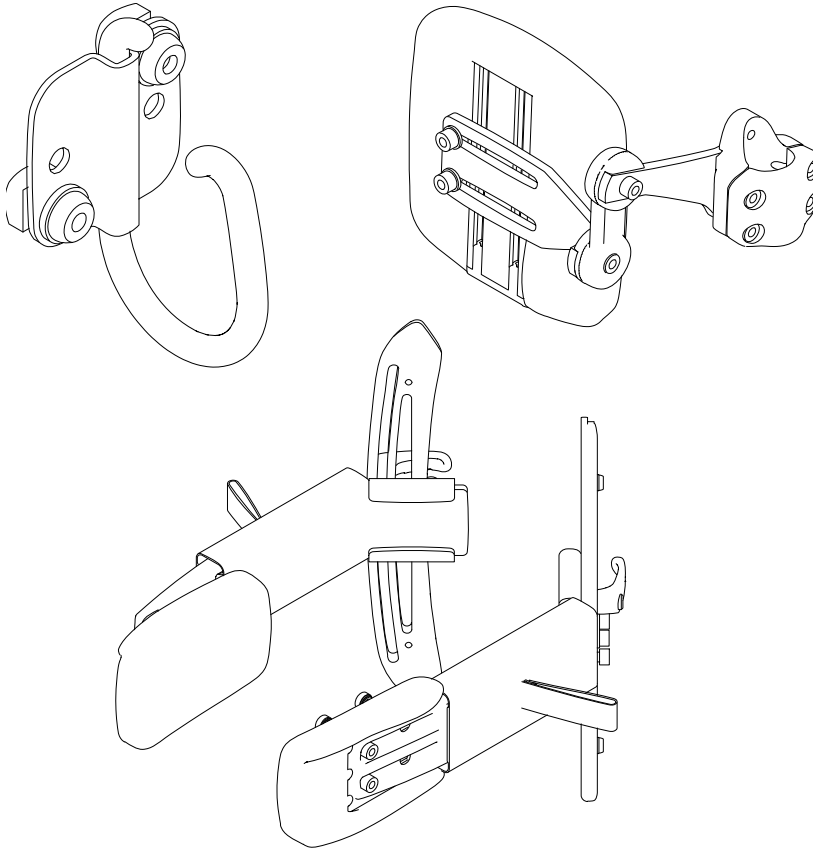
2.9 Serial number label



The serial number label is located on the lower, left side of the wheelchair chassis. Look between the rim spokes **A**. An additional serial number label is located on the seat tilt **B**. You may need to tilt the seat for better visibility.

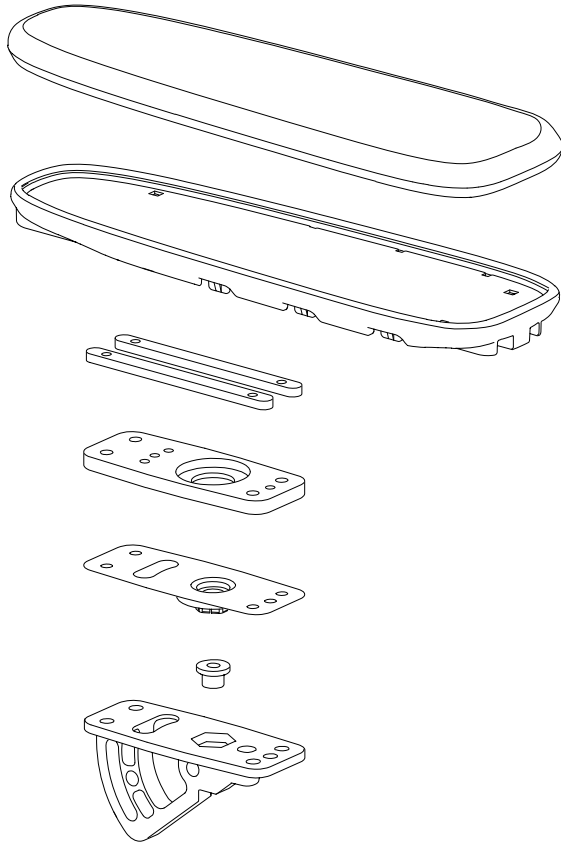
The contents of the serial number label are described on page 26.

2.10 Accessories



Accessories for Permobil products are subject to continuous development. Contact your nearest Permobil dealer for more information on the accessories available for your product. Only use accessories that are authorized by Permobil.

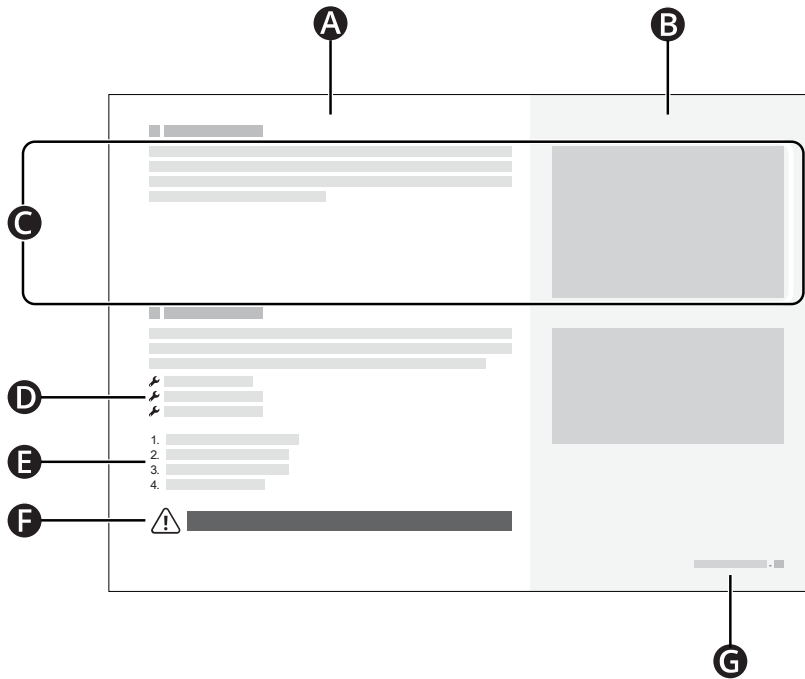
2.11 Spare parts



Spare parts must be ordered through your dealer.

Only use spare parts that are authorized by Permobil.

2.12 User manual



- A** Main text area
- B** Main illustration area
- C** Text correlates to the illustration to the right
- D** Tool list
- E** Instruction steps
- F** Warning sign
- G** Chapter and page number

3 Safety

Your wheelchair is a complex medical device and must be used safely. This chapter contains important information about how to safely use your wheelchair.

Permobil is not responsible for personal injuries or property damage resulting from any person's failure to follow the warnings and instructions in this manual or from failure to exercise good judgment.

The following warnings are referenced throughout this user manual. Anytime you see the exclamation point symbol, refer back to this chapter to review the appropriate warning.

3.1 Types of warning signs

The following types of warning signs are used in this manual:



WARNING!

Indicates a hazardous situation which, if not avoided, could result in serious injury or death as well as damage to the product or other property.



CAUTION!

Indicates a hazardous situation which, if not avoided, could result in damage to the product or other property.



IMPORTANT!

Indicates important information.

3.2 Warning signs



WARNING! Do not overload the wheelchair

Do not use the wheelchair to pull any kind of object and never hang excessive weights on the wheelchair. If you do, the wheelchair can become less stable and injure you.



IMPORTANT! Do not drive on public roads

Do not drive the wheelchair on public streets or roads. Your wheelchair is not an automobile. Obey all local pedestrian rules and always drive your wheelchair defensively.



WARNING! Do not modify the wheelchair

Do not modify your wheelchair or any of its components. Your wheelchair has been configured specifically for your needs as prescribed by your healthcare provider. Special skills, training, and knowledge are needed to set up, modify, and repair the wheelchair.



WARNING! Avoid steep slopes

Do not drive the wheelchair on slopes steeper than 10°. If you do, the wheelchair can become less stable and injure you. For maximum performance and stability, use caution on slopes steeper than 6°.



WARNING! Use freewheel mode cautiously

Freewheel mode should only be used on level ground and when an attendant is present to control the wheelchair. If you use freewheel mode on an incline or without an attendant, you can get injured or cause property damage.



WARNING! Replace damaged charging components

If either the charger plug or charger socket becomes damaged, both must be replaced by qualified personnel. Excessive heat in either the charger plug or socket indicates damage.



WARNING! Do not exceed the maximum user weight

Do not drive the wheelchair if you exceed the maximum user weight. If you do, the wheelchair can harm you or break.



WARNING! Drive extra carefully when lifted or tilted

If the seat or backrest is lifted or tilted on flat ground, drive at a low speed. If the seat or backrest is lifted or tilted, do not drive the wheelchair on slopes or over obstacles. If you do, the wheelchair can become less stable and injure you.



WARNING! Do not cross obstacles at an angle

Do not cross obstacles at an angle. If you do, the wheelchair can become less stable and injure you.



WARNING! Use positioning aids at all times

Use securely fastened positioning aids, including your positioning belt, at all times. If you do not, you can sustain bodily injuries.



WARNING! Positioning aids do not replace seatbelts

Wheelchair positioning aids do not replace vehicle mounted seatbelts. In a traffic accident, they do not provide the same protection as vehicle mounted seatbelts.



WARNING! Vehicle seating requirements

When you use the wheelchair as a seat in a vehicle, it must be forward-facing and you must use a three-point belt restraint, including a shoulder and pelvic belt, to reduce the risk of head and chest impacts with vehicle components. The wheelchair is only designed and tested for use in this configuration. If the wheelchair is used in another vehicle seating configuration, you can be injured or your wheelchair can be damaged.



CAUTION! Do not use a damaged wheelchair

If the wheelchair or its accessories have suffered transportation damage, damage during driving, or damage from other causes, you must inform Permobil as soon as possible and immediately stop using your wheelchair. There is a risk that the wheelchair or its accessories can no longer be used safely. Contact your service provider or Permobil for further information.



WARNING! Keep the electronics dry

Make sure that the electronics are not exposed to moisture. If any of the shrouds or the joystick boot have cracks or tears, replace them immediately. Exposure to moisture can cause the wheelchair to short-circuit or catch fire, which can lead to personal injury or property damage.



WARNING! Do not get pinched

The wheelchair is heavy and contains many moving parts, which means that you can be pinched when you adjust the wheelchair or if you use the wheelchair incorrectly. When you see this warning, be mindful of your body location to avoid being pinched. Do not put any part of your body between moving parts.



WARNING! Use leg rest tilt cautiously

Do not use the leg rest tilt when a knee support is in place. If you do, it can lead to bodily injury.



IMPORTANT! Armrest falling rearward

Some combinations of armrest height and armrest angle can cause the armrest to fall rearward when the backrest is tilted.



CAUTION! Recycle all batteries

Used batteries must be disposed of responsibly in accordance with local recycling regulations.



WARNING! Use the recommended tire pressure

Use the recommended tire pressure. Incorrect tire pressure can make the wheelchair unstable and difficult to drive. If you overfill the tires, they can explode and cause bodily injury.



CAUTION! Electromagnetic fields

The electronics in a power wheelchair can be affected by external electromagnetic fields (e.g. mobile phones). Similarly, the electronics in the wheelchair itself also emit electromagnetic fields that can affect the immediate surroundings (e.g. certain alarm systems in businesses).



WARNING! Discontinue use after extraordinary events

Do not use your wheelchair if it has been dropped, crushed, exposed to fire, submerged in water, or involved in a vehicular accident, or other extraordinary events. Events like these can lead to significant damage that is impossible to detect upon inspection. Contact your service provider or Permobil. Damage caused by these types of incidents exceeds the limits covered by the manufacturer's warranty.



WARNING! Sufficient ground clearance

Always position the leg rest and footplate high enough so that they will not hit the ground when you drive your wheelchair. This includes when you drive over changing slopes or over obstacles. If you allow the leg rest or footplate to hit the ground, the wheelchair can become less stable and injure you.



WARNING! Do not use on stairs or escalators

Do not use your wheelchair on stairs or escalators. If you do, it can lead to personal injury or property damage.



WARNING! Do not operate the wheelchair under the influence of alcohol

Do not drive or use the wheelchair if you are under the influence of alcohol. If you do, it can lead to bodily injury.



WARNING! No passengers

Do not use the wheelchair to carry passengers, regardless of their age or weight. If you do, it can affect the wheelchair's maneuverability and stability.



WARNING! Supervise children

Do not let children drive the wheelchair without supervision.



CAUTION! First drive

The first time you drive your wheelchair must be in the presence of a person who is qualified to ensure that the wheelchair is properly fit for you.



WARNING! Do not turn off power to stop the wheelchair

Release the joystick to stop the wheelchair. Do not turn of the power to stop the wheelchair. If you do, the wheelchair will stop suddenly and you can get injured.



WARNING! Be careful when traction changes

Use extreme caution when you drive from an area with high traction (such as a sidewalk) to an area of low traction (such as grass). A sudden change of traction can cause the wheelchair to become less stable and injure you.



WARNING! Turn the wheelchair with caution

Do not turn the wheelchair at high speed. If you do, the wheelchair can become less stable and injure you.



CAUTION! Do not use the wheelchair when battery charge is low

If you use the wheelchair when the battery charge is low, you could become stranded.



WARNING! Take care when you transfer

Make sure that you take great care when you transfer into and out of the wheelchair and always follow your caregiver's recommendations for transfer. If you do not, you can get injured.



WARNING! Pay attention to release mechanisms

Adjust your restraint system such that the release mechanisms cannot be pressed during a crash.



WARNING! Remove loose objects and auxiliary equipment before transportation

Remove loose objects, trays, and other auxiliary equipment from your wheelchair and store them safely before you transport your wheelchair in a motor vehicle. If you transport a wheelchair in a motor vehicle with loose objects, trays, or other auxiliary equipment the vehicle's occupants could suffer bodily injury.



CAUTION! Do not use the wheelchair in extreme conditions

Permobil recommends that you do not use the wheelchair in extreme conditions, such as heavy rain, thick snow, or excessive heat or cold.



CAUTION! Extreme temperatures

Prolonged exposure to sunlight or cold temperatures can cause wheelchair surfaces to become very hot or cold.



WARNING! Be mindful of sources of ignition if you carry an oxygen tank

Exercise extreme caution when you carry an oxygen tank with your wheelchair in close proximity to electronics or other sources of ignition, such as a kitchen stove.



WARNING! Drive carefully on soft or uneven surfaces

Use extreme caution when you drive on soft or uneven surfaces, such as grass, gravel, sand, ice, or snow.



WARNING! Flame resistance

Fabric components have been tested for flammability. Padded parts meet the requirements of EN 1021-1, EN 1021-2 and ISO 7176-16. Plastic parts meet the requirements of UL94.



WARNING! Drive carefully in narrow or confined spaces

Use extreme caution when you drive in narrow or confined spaces.



WARNING! Drive carefully when there are ridges

Use extreme caution when there are ridges that could cause the wheelchair to move in a different direction.



WARNING! Drive carefully near edges and on elevated surfaces

Use extreme caution when you are near edges or on elevated surfaces, such as ramps.



WARNING! Discontinue use if the wheelchair does not behave as it should

If the wheelchair is not behaving as it should, or if you suspect that something is wrong, release the joystick immediately to stop the wheelchair. Turn off the power and contact your service provider or Permobil for further information.



WARNING! Do not remove labels

Do not remove labels from the wheelchair. They contain information about safety and proper use. If a label becomes difficult to read or falls off, order a replacement from Permobil.



WARNING! Place feet correctly and securely on the footplates

Make sure that your feet are correctly and securely positioned on the footplates before you drive the wheelchair. If you do not, it can lead to bodily injury.



WARNING! Freewheel malfunction

If your wheelchair is in freewheel mode and you can control it electronically, it is malfunctioning. Contact your service technician.



WARNING! Increased stopping distance

When driving downhill, allow yourself a greater distance to stop than you would if you were driving on level ground. Note that the distance required to stop will increase when you drive downhill or when you increase your speed. If you do not, it can lead to bodily injury.



WARNING! Only use intended charger

Only use a Permobil charger intended for use with your wheelchair. If you use a different charger, there is a risk of fire or explosion which can lead to bodily injury or property damage.



WARNING! Always follow charging instructions

Always follow the instructions on how to charge the wheelchair. If you do not, it can lead to sparks and unnecessary wear.



WARNING! Do not cover the battery charger

Always use the battery charger in well-ventilated, dry rooms and do not cover the battery charger. If it is covered it can overheat which can lead to bodily injury or property damage.



WARNING! Belt restraints

Make sure that the belt restraints are as tight as possible, without becoming uncomfortable, and that they are not twisted. They must be close to your body and not held away by parts of the wheelchair. If the belt restraints are not placed correctly, it can lead to bodily injury.



WARNING! Approved vehicles

The wheelchair must only be transported in vehicles approved for transporting wheelchairs.



WARNING! Only use approved fastening straps and docking systems

Only use approved fastening straps or docking system to secure the wheelchair.



WARNING! Only attach fastening straps to tie-down points

Only attach fastening straps to the tie-down points. Do not attach the fastening straps to any other part of the wheelchair. If you do, it can lead to bodily injury.



CAUTION! Qualified service technician

Only carry out maintenance and minor adjustments that are specified in the user manual. All other maintenance, service, and repairs must be carried out by a qualified service technician authorized by Permobil.



CAUTION! Always turn off the power before cleaning the wheelchair

Turn off the power before you clean the wheelchair.



WARNING! Do not lift or move by removable parts

Do not lift or move the wheelchair by any of its removable parts. If you do, it can lead to damage to the wheelchair.



WARNING! Turn off the power before you transfer or before you lift the armrest

Turn off the power before you transfer in or out of the wheelchair or lift the armrest. If you do not, it can lead to bodily injury.



WARNING! Do not use joystick, armrests, or footplates as support when you transfer

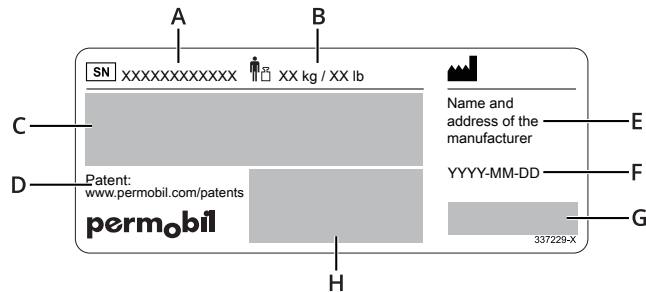
Do not use the joystick, armrests, or footplates as support when you transfer in or out of the wheelchair. If you do, it can lead to bodily injury or damage to the wheelchair.

3.3 Labels

Your wheelchair has labels that contain important information about safety and proper use. These labels are described in greater detail in this subchapter.

Serial number label

- A. Serial number of the wheelchair
- B. Maximum user weight
- C. Model: Model
Model version: Model version
FCC ID: Federal Communications Commission identifier
- D. Link to patents
- E. Name and address of the manufacturer
- F. YYYY-MM-DD: Date of manufacture
- G. CE mark
 Medical device
 Federal Communications Commission approved equipment
- H. Unique Device Identification (UDI) as a GS1 DataMatrix and human readable format including: GTIN - global trade item number, date of manufacture, and serial number



Warning

This label indicates that special attention is required.



Pinch risk

This label indicates a pinch risk. When you see this label, be extra careful to avoid pinching yourself or your belongings.



Main circuit breaker

This label shows the on and off positions for the main circuit breaker. Read more on page 41.



Freewheel mode

The picture to the left of the arrows indicates that the wheelchair is not in freewheel mode. The pictures to the right of the arrows indicate that the wheelchair is in freewheel mode. Read more about freewheel mode on page 36.



Tie-down points

This label shows the wheelchair's tie-down points. Read more about wheelchair transportation on page 36.



4 Wheelchair usage

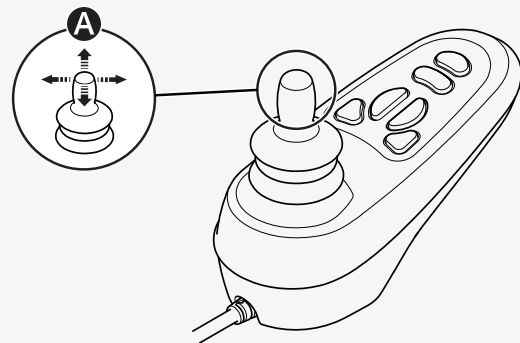
This chapter aims to provide you with basic information to quickly get started with your wheelchair, and also provide you with information you may need in your everyday use of the wheelchair. The following subchapters describe how to drive the wheelchair, how to use the most common seat functions, how to charge the batteries, how to enter and exit freewheel mode, and some helpful information if you want to transport your wheelchair. They also describe the main circuit breaker, wheelchair storage, and manual adjustments.

4.1 Driving the wheelchair

You must always drive your wheelchair carefully and defensively. Your wheelchair is a complex medical device, not an automobile. Due to the individualized nature of Permobil products, your wheelchair is equipped with one of numerous different ways to drive it. The most common way is described below, but your wheelchair may not conform to this process depending on its individualization.

To drive your wheelchair, you must first turn on the power. The power button or switch is most commonly located on the wheelchair's control panel, which is usually attached to the armrest. Most Permobil wheelchairs also include a joystick on the control panel. Use this joystick to turn the wheelchair and to drive forward and rearward. Simply press the joystick in the direction you want to go **A**. The further you press the joystick, the faster the wheelchair will move. Release the joystick to stop moving.

Drive as gently as possible and avoid sudden braking and sudden stops and starts.



Do not move the joystick before, during, or immediately after you turn on the control system. If you move the joystick during this time, it can generate a joystick error. If this happens, turn off and then on the wheelchair.

For additional information on how to control your wheelchair, refer to any other documentation received with your wheelchair or contact your Permobil dealer.

Some emergency exits or paths can be too small for your wheelchair to navigate through them.

4.1.1 Driving restrictions

The wheelchair consumes much power when you drive up a hill, climb over obstacles, or drive on rough terrain (for example sand). Permobil recommends that you, as far as possible, avoid to drive for a long period of time in these types of conditions.

Permobil recommends that you do not use the wheelchair in extreme conditions, such as heavy rain, thick snow, or excessive heat or cold. The driving range of your wheelchair is approximately 25 km (16 mi) when the battery temperature is 25°C (77°F). The driving range is affected by the battery temperature. Temperatures below 25°C (77°F) can shorten the driving range. Temperatures below -25°C (-13°F) can harm your batteries.

This user manual's wheelchair specification states the wheelchair's maximum user weight. The stated user weight includes the user and any personal effects.

Avoid sudden stops and starts.



WARNING! Do not cross obstacles at an angle

When you drive over an obstacle, always directly face it. You can drive over obstacles up to 100 mm (4"). If you drive over higher obstacles, there is a greater risk of tipping and of damage to the wheelchair. If a car lock is installed on the wheelchair, it affects the ground clearance.



WARNING! Avoid steep slopes

When you drive downhill, additional precautions must be taken. Select the lowest maximum speed and proceed with caution. Driving down a slope can shift your center of gravity forward. Release the joystick if the wheelchair rolls faster than you would like. This makes the wheelchair stop, and you can descend again more slowly. Avoid sudden stops and starts.

Drive the wheelchair straight up slopes whenever possible.

4.2 Seat functions

Your wheelchair can have seat functions. A seat function is a power adjustment.

Due to the custom nature of Permobil products, your wheelchair is equipped with one of numerous different ways to adjust its seat functions. For additional information on how to control your wheelchair, refer to any other documentation received with your wheelchair or contact your Permobil dealer.



Permobil offers the following seat functions. Available functions can vary depending on the equipment fitted on your wheelchair.

- seat lift
- seat tilt
- anterior tilt
- backrest tilt
- leg rest tilt
- footplate lift

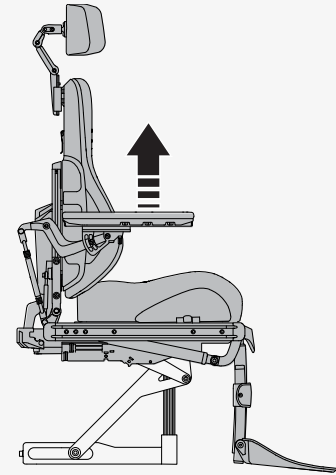
The wheelchair's center of gravity changes when you change the position of the seat and/or the backrest. When you lift or tilt the seat or backrest, you decrease the wheelchair's stability.



WARNING! Drive extra carefully when lifted or tilted

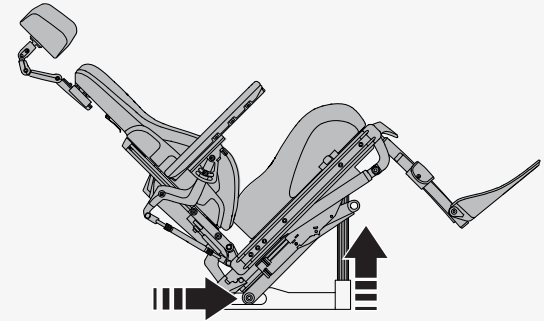
4.2.1 Seat lift

The seat lift lifts and lowers the seat. When the seat is lifted, the maximum speed of the wheelchair can be reduced automatically or the ability to drive the wheelchair can be restricted completely. The reduced maximum speed can be indicated with a turtle on the display of the control panel, and the drive restriction can be indicated with a red light.



4.2.2 Seat tilt

The seat tilt tilts the entire seat, from headrest to leg rest. When the seat is tilted, the maximum speed of the wheelchair can be reduced automatically or the ability to drive the wheelchair can be restricted completely. The reduced maximum speed can be indicated with a turtle on the display of the control panel and by a yellow light on the switch box. The drive restriction can be indicated with a red light on the switch box or by a flashing turtle on the display of the control panel.



4.2.3 Anterior tilt

The anterior tilt has programmable positions to meet individual needs.

Typical tilt positions are 5°, 10°, and 20°.

- 10° makes it easier to reach objects, for instance on a table.
- 20° extends your reach even further.

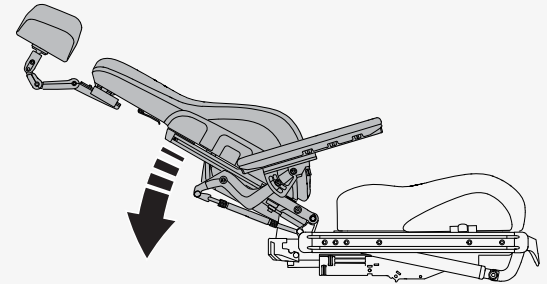
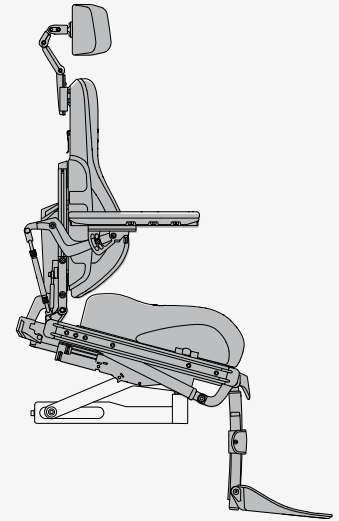
When you tilt the seat forward or rearward, it will stop when it reaches a preprogrammed position or a neutral, not tilted, position. If you want to continue the movement forward or rearward, press the button again or repeat the joystick maneuver. The tilt angle can vary depending on how the anterior tilt is programmed and if any positioning limitations apply.



WARNING! Use positioning aids at all times

4.2.4 Backrest tilt

The backrest tilt tilts the backrest rearward and back up again. When the backrest is tilted, the maximum speed of the wheelchair can be reduced automatically or the ability to drive the wheelchair can be restricted completely. The reduced maximum speed can be indicated with a turtle on the display of the control panel and by a yellow light on the switch box. The drive restriction can be indicated with a red light on the switch box or by a flashing turtle on the display of the control panel.



4.2.5 Leg rest tilt

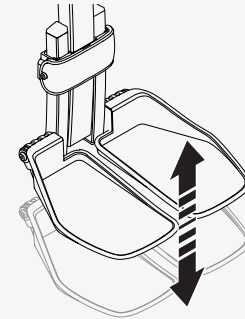
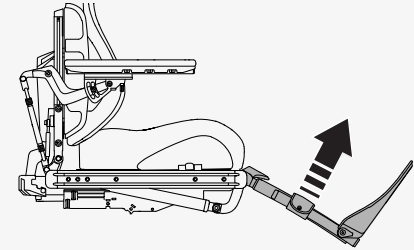
The leg rest tilt tilts the leg rest. When the leg rest is tilted, the maximum speed of the wheelchair can be reduced automatically or the ability to drive the wheelchair can be restricted completely. The reduced maximum speed can be indicated with a turtle on the display of the control panel and by a yellow light on the switch box. The drive restriction can be indicated with a red light on the switch box or by a flashing turtle on the display of the control panel.



WARNING! Use leg rest tilt cautiously

4.2.6 Footplate lift

The footplate lift shortens or lengthens the leg rests to adjust the height of the footplates. You can use this function to adjust the pressure on the back of your thighs.



4.3 Charging the batteries

You can charge your wheelchair from the control panel. The charger socket is located at the front of the joystick.



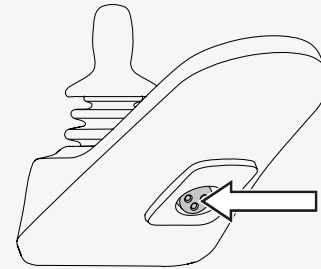
WARNING! Always follow charging instructions

Always connect the charger to the wheelchair first before you connect the charger to the wall. When you have finished charging, always disconnect the charger from the wall before you disconnect the charger from the wheelchair.

Charge the wheelchair as often as possible. Do not use the wheelchair if the battery charge is low because you could become stranded. If the batteries become completely discharged, charge them immediately.

Never expose your batteries or any part of your wheelchair to an open flame. It is not possible to drive the wheelchair while it charges.

See the battery charger's manual for instructions and further information.



4.4 Freewheel mode

The wheelchair is fitted with two freewheel levers. When the freewheel levers are released, the wheelchair's brakes are disengaged from the motor. When in freewheel mode, the wheelchair can be moved manually, but cannot be controlled electronically.



WARNING! Use freewheel mode cautiously

4.4.1 Entering freewheel mode

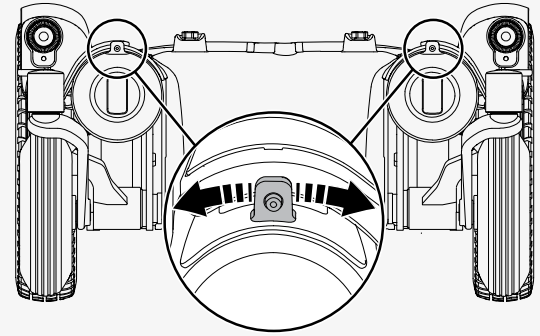
1. Make sure that the wheelchair is on level ground.
2. Turn off the wheelchair.
3. Flip both freewheel levers away from the center of the wheelchair.

4.4.2 Exiting freewheel mode

1. Turn off the wheelchair.
2. Flip both freewheel levers toward the center of the wheelchair.

4.5 Vehicle transportation

This chapter describes how you transport your wheelchair in a vehicle. The wheelchair must only be transported in vehicles approved for this purpose.



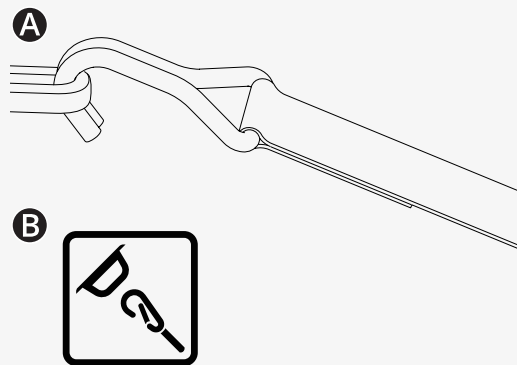
4.5.1 Securing the wheelchair in a vehicle

This chapter describes how you secure the wheelchair in a vehicle. You must either secure the wheelchair at its tie-down points or use a docking system that complies with ISO 10542-1:2012, which is an international standard that governs wheelchair tie-downs and occupant-restraint systems.



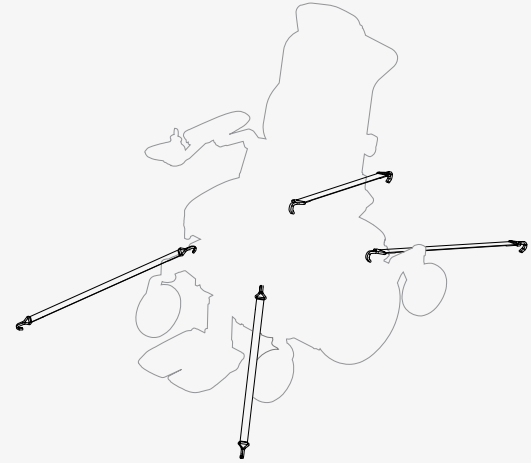
WARNING! Remove loose objects and auxiliary equipment before transportation

This is how you secure the wheelchair at its four tie-down points. Make sure that the wheelchair is properly secured and that the wheelchair is not in freewheel mode. Secure the wheelchair with straps **A** at the tie-down points at the front and rear. The tie-down points are marked with yellow labels **B**.



After you have secured the straps to your wheelchair, secure the other end of the straps to your vehicle according to the appropriate instructions. The end-fitting on the strap must comply with ISO 10542–1:2012, which is an international standard that governs wheelchair tie-downs and occupant-restraint systems. Every vehicle tie-down system is different, and it is important that you follow the instructions for your particular vehicle system.

To make transportation of the wheelchair easier, you can remove or fold down the backrest. This is done in a few simple moves. See page 47. If necessary, you can also remove the headrest. See page 42.



4.5.2 Using the wheelchair as a seat in a vehicle

Permobil recommends that you transfer to a vehicle seat and that you use the vehicle's restraint systems. The unoccupied wheelchair should be stored in a cargo area or secured in the vehicle during travel. Follow the instructions below if you want to use the wheelchair as a seat in a vehicle.



WARNING! Positioning aids do not replace seatbelts



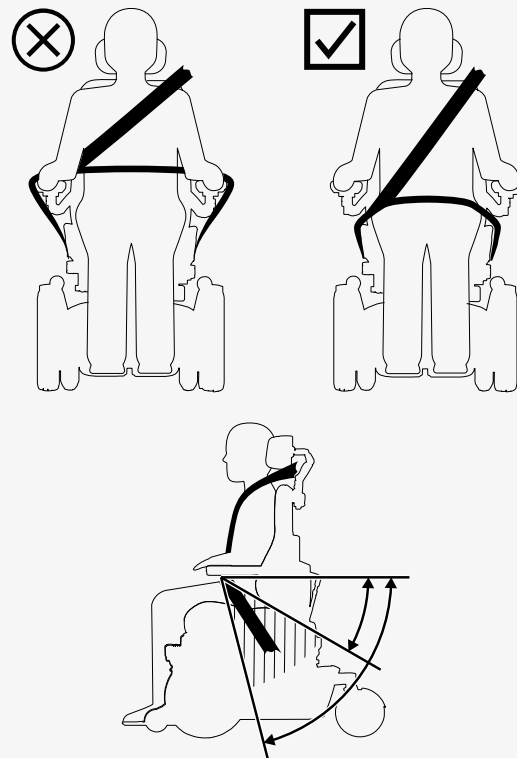
WARNING! Vehicle seating requirements

You must use both pelvic–belt restraints and shoulder–belt restraints. Make sure that the belt restraints are as tight as possible, without becoming uncomfortable, and that they are not twisted. They must be close to your body and not held away by parts of the wheelchair. Adjust your restraint system such that the release mechanisms cannot be pressed during a crash.

The shoulder–belt restraint should be worn over the shoulder. The pelvic–belt restraint should be worn low across the pelvis and within the preferred zone of 30° to 75°. It is desirable to have a steeper angle within the preferred zone. Make sure that the wheelchair is not lifted or tilted. The wheelchair must be in the position shown in the image.

4.6 Air transportation

This chapter contains information that can be helpful if you are transporting your wheelchair by air.



4.6.1 Batteries

The main circuit breaker must always be in the off position. In most cases, gel batteries do not have to be removed from the wheelchair.

4.6.2 Weight and dimensions

Contact the relevant airline for applicable rules on weight and dimensions for your power wheelchair.

4.6.3 Preventing damage to wheelchair

Since the wheelchair will be put with other goods in a confined space during the flight, it is important to take preventive measures to minimize transportation damage to the wheelchair.

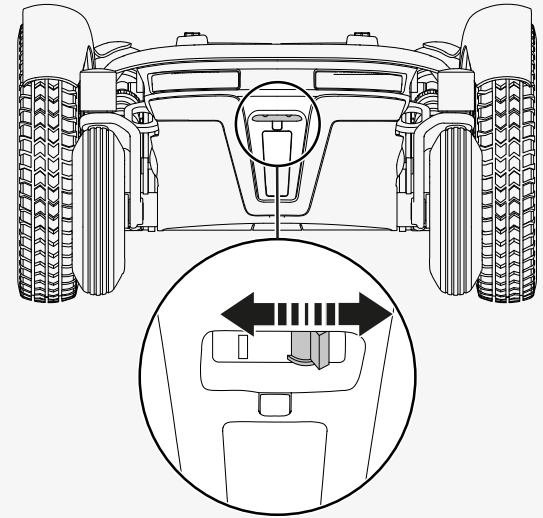
Cover the control panel and other sensitive objects with soft, shock-absorbing material (foam plastic or similar). Push the control panel toward the backrest. Tape any loose cables to the seat or covers.

4.7 Main circuit breaker

Your wheelchair has a main circuit breaker with two functions. You can use it to turn off the main power, for example before you transport the wheelchair. It also trips if there are any issues with the circuits.

The first time the main circuit breaker trips, you can reset it yourself. If it trips again, contact your service technician.

Use the lever at the back of the wheelchair to turn on and off or to reset the main circuit breaker. Always turn off the control panel before you turn off the main circuit breaker.



4.8 Wheelchair storage

You can store your wheelchair for a short or long period of time.

When you store it for a short time, make sure that the room is dry and at least 5°C (41°F). If the temperature is lower, the batteries might not charge fully. They are also more vulnerable to corrosion.

When you store it for a long time, fully charge the batteries before storage. Remember to switch off the main circuit breaker. Charge the batteries every month. You will need to switch on the main circuit breaker to charge the batteries, then switch off the main circuit breaker if the wheelchair is to remain in storage.

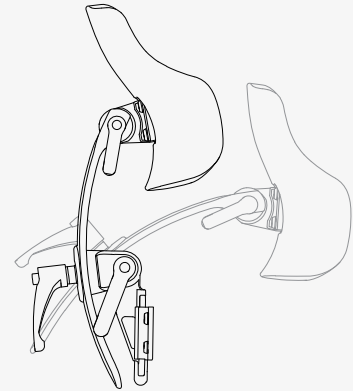
4.9 Manual adjustments

The wheelchair can have functions that are adjusted manually. Available functions vary depending on the equipment fitted on your wheelchair.

If you do not have the power lift function on your wheelchair, seat height must only be adjusted by authorized service providers.

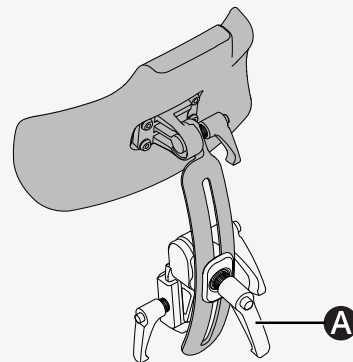
4.9.1 Headrest

This chapter shows you how to adjust the height, depth, and angle of the headrest. It also shows you how to remove and install the headrest. Do not put any weight on the headrest while you adjust it.



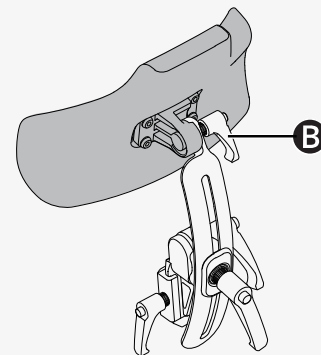
This is how you adjust the height and depth of the headrest.

1. Loosen handle **A** on the backrest.
2. Adjust the height or depth as required.
3. Tighten handle **A**.



This is how you adjust the angle of the headrest.

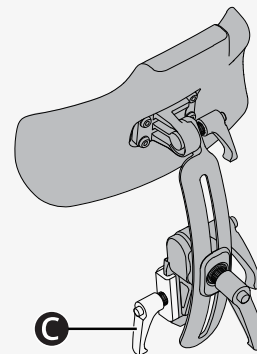
1. Loosen handle **B** on the rear of the headrest.
2. Adjust the angle as required.
3. Tighten handle **B**.



This is how you remove and install the headrest.

1. Loosen handle **C** on the backrest.
2. Lift the headrest straight up.

Install the headrest in the reverse order. You can remove and install the headrest without affecting current settings.



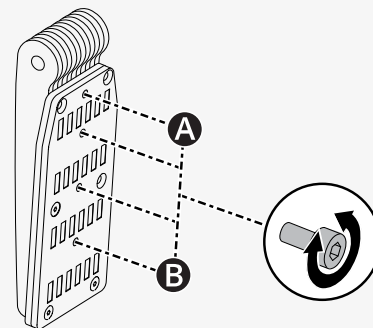
4.9.2 Headrest with link hardware

This chapter shows you how to adjust the height, depth, and angle of the headrest. It also shows you how to remove and install the headrest.

This is how you adjust the height of the headrest. There are four different height settings on your headrest. Setting **A** is the lowest and setting **B** is the highest. If setting **A** is used, test the seat functions seat tilt and backrest tilt for interference.

🔧 Allen key 2.5 mm

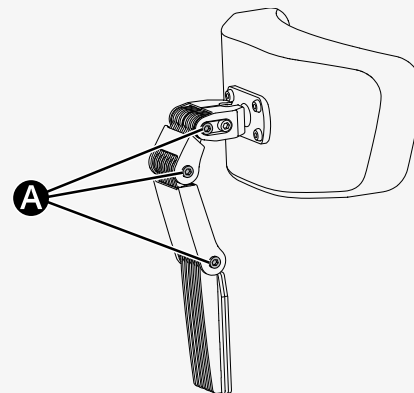
1. Follow the instructions below to remove the headrest.
2. Remove the screw and put it in the preferred setting on the bracket.
3. Follow the instructions below to install the headrest.



This is how you adjust the height and depth of the headrest.

🔧 Allen key 5 mm

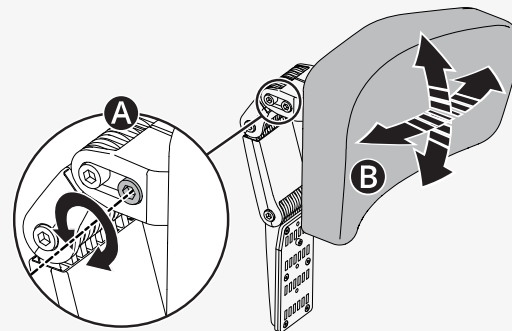
1. Loosen the screw at each link **(A)**.
2. Change the angle of the links as required.
3. Tighten the screws.



This is how you adjust the angle of the headrest.

🔧 Allen key 5 mm

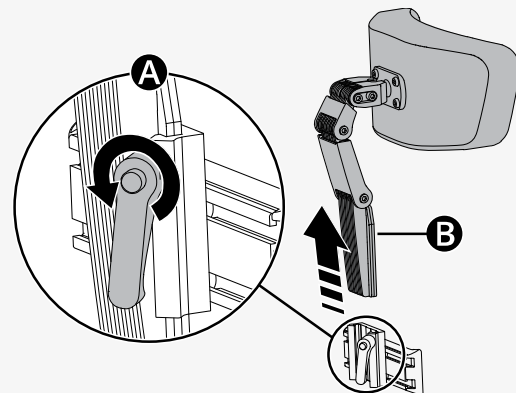
1. Loosen front screw **(A)** in the top link.
2. Adjust the headrest angle to the preferred position **(B)**.
3. Tighten the screw.



This is how you remove and install the headrest.

1. Loosen handle **A** at the rear of the backrest.
2. Lift the headrest straight up **B**.

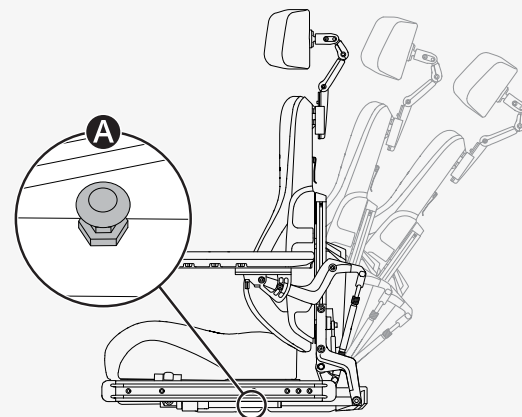
Install in the reverse order. You can remove and install the headrest without affecting current settings.



4.9.3 Backrest tilt

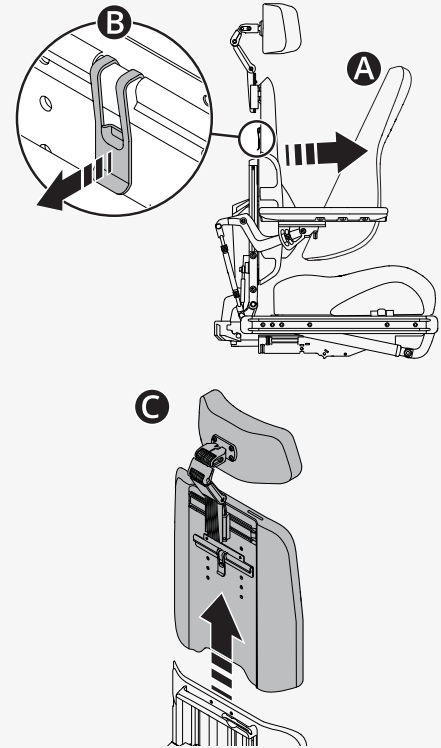
You can adjust the backrest to several fixed positions. From an upright position, the backrest can be tilted a maximum of 45°. Do not place any weight on the backrest while you adjust it.

1. Pull out handle **A** of the quick-acting lock so that the locking tube moves freely.
2. Tilt the backrest to the desired position.
3. Release handle **A** to lock the locking tube.
4. Make sure that the backrest is locked in position.



4.9.4 Removing the backrest

You can remove the backrest to make transportation of the wheelchair easier. Do not place any weight on the backrest while you adjust it. First, remove backrest cushion **A**. It is attached with Velcro. Then carefully undo clip **B** on the backrest and pull the upper part of the backrest straight up **C**. If needed, you can also remove the headrest. See 4.9.1 *Headrest*, page 42.



4.9.5 Armrest

This chapter shows you how to adjust a swiveling armrest and how to adjust armrest height and armrest angles.

4.9.5.1 Swiveling armrest

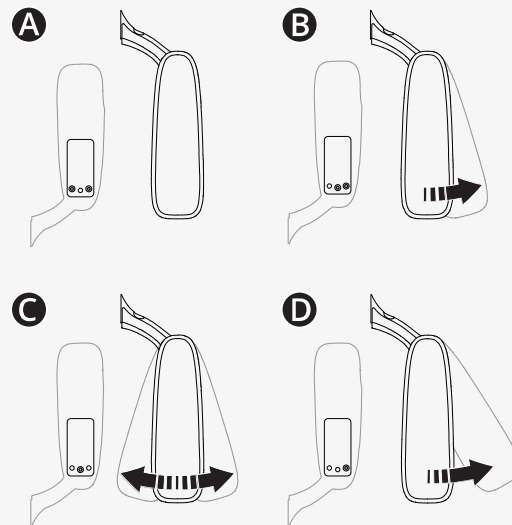
This chapter describes how you adjust a swiveling armrest. A swiveling armrest is an armrest that you can push in or out as preferred between certain settings. There are three swivel settings (**B**, **C**, and **D**) and one locked setting (**A**).

Swivel settings		
A	Factory setting	Locked
B	Factory setting	0° to +15°
C	Custom setting	-15° to +15°
D	Custom setting	0° to +30°

This is how you change the swivel setting.

🔧 Allen key 5 mm

1. Fold up the armrest.
2. Remove the screws from the current setting.
3. Insert and tighten the screws in the preferred setting.
4. Fold down the armrest.



4.9.5.2 Armrest height and armrest angles

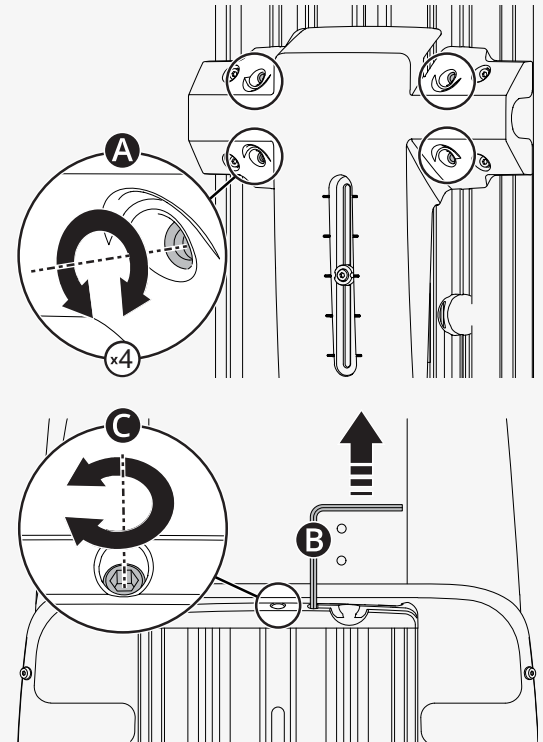
This chapter shows you how to adjust the height of the armrest and the angles of the armrest. There are two ways to adjust the armrest angle.

This is how you adjust the height of the armrest. You can see the current height of the armrest on the backrest. The adjustment crank is located in the backrest.

🔑 Allen key 5 mm

🔑 Adjustment crank

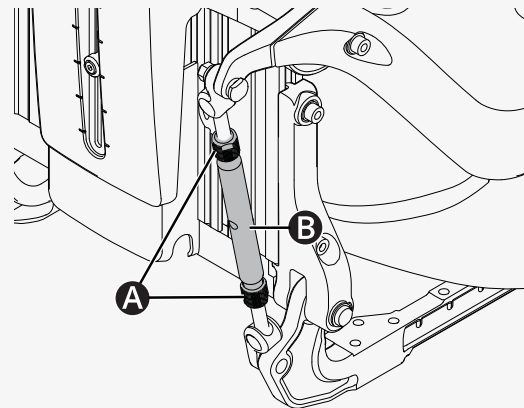
1. Loosen the four screws **A** on the backrest.
2. Remove adjustment crank **B**.
3. Use the adjustment crank to turn adjustment screw **C** until the armrest is in the preferred position.
4. Tighten the four screws on the backrest.



This is one way to adjust the angle of the armrest. The lower lock nut has a left-hand thread.

🔧 Wrench 14 mm

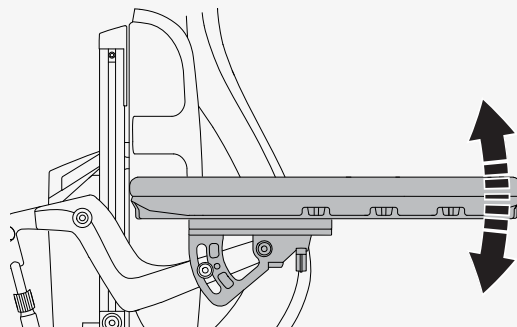
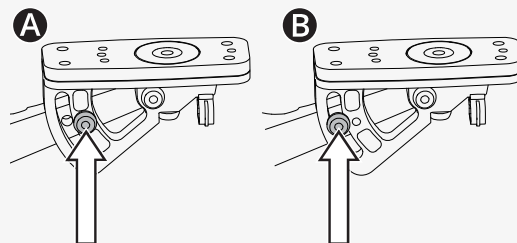
1. Loosen the two lock nuts **A** on adjustment bar **B**.
2. Turn the adjustment bars to adjust the armrest angle to the preferred position.
3. Tighten the two lock nuts.



This is the other way to adjust the angle of the armrest.

🔑 Allen key 5 mm

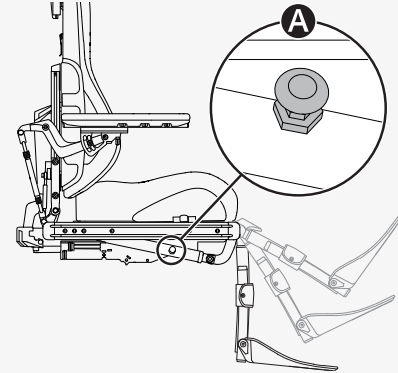
1. Move the screw from fixed position **A** to flexible position **B**.
2. Adjust the armrest angle to the preferred position.
3. Tighten screw **B**.



4.9.6 Leg rest tilt

The leg rest on your wheelchair can be adjusted to several positions from vertical to horizontal.

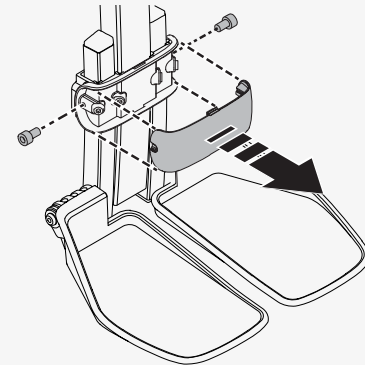
1. Pull out handle **A** of the quick-acting lock so that the locking tube moves freely.
2. Adjust the leg rest angle to the preferred position.
3. Release handle **A** to lock the locking tube.
4. Make sure that the leg rest is locked in position.



4.9.7 Footplates

This chapter shows you how to adjust the height and the angle of the footplates. There are two ways to adjust the height of the footplates. You need to remove the leg rest cover before you can make any height adjustment.

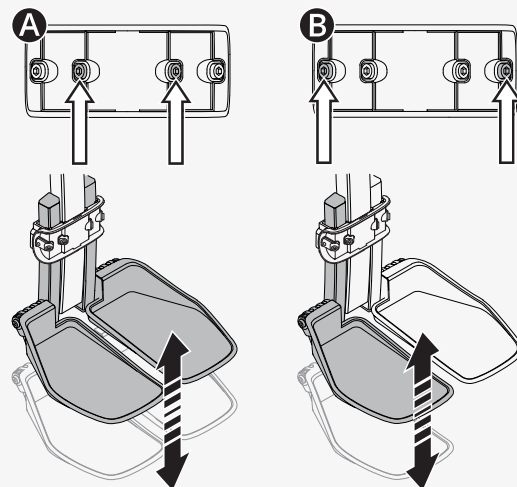
1. Remove the two screws.
2. Pull the leg rest cover forward.



This is how you adjust the height of the footplates.

- A** Adjusts both footplates to the same height
- B** Adjusts the footplates separately, if you prefer them at different heights

1. Undo the locking screws.
2. Adjust the footplates to the preferred height.
3. Tighten the locking screws.
4. Make sure that the footplates are secured.
5. Push the leg rest cover into place.
6. Tighten the two screws.

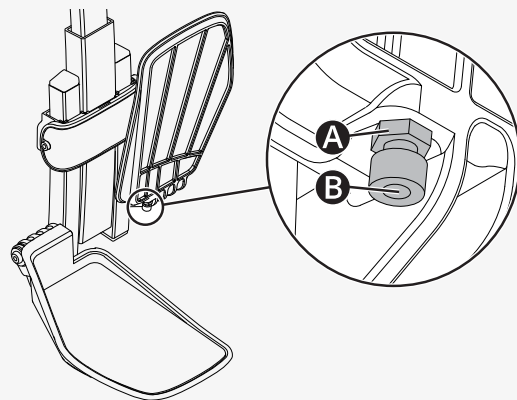


This is how you adjust the angle of the footplates. You can adjust the footplates separately if you prefer them at different angles.

🔑 Allen key 5 mm

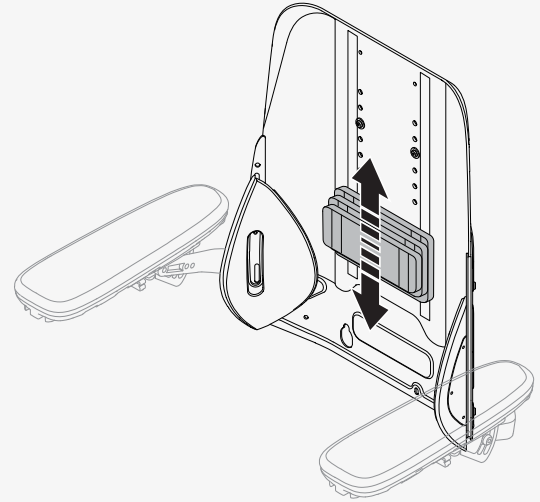
🔑 Wrench 10 mm

1. Tilt up the footplate.
2. Loosen lock nut **A**.
3. Turn stop screw **B** up or down until the footplate angle is in the preferred position.
4. Tighten lock nut **A**.



4.9.8 Lumbar support

This chapter shows you how to adjust the lumbar support. The lumbar support consists of three cushions with Velcro. If you want to adjust it, simply remove the backrest cushion and adjust the lumbar support as preferred.



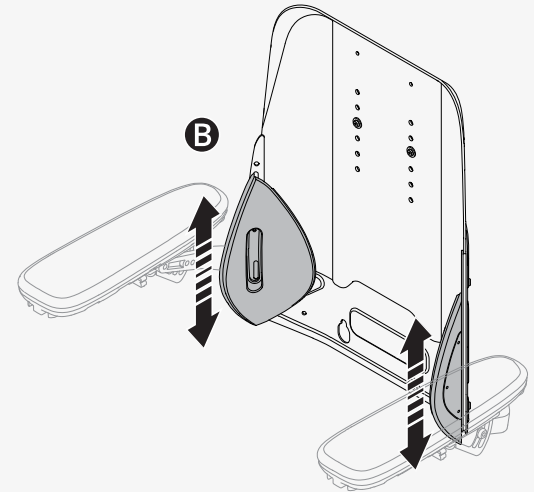
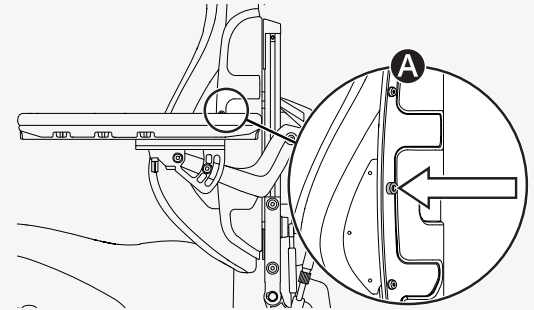
4.9.9 Trunk support

This chapter shows you how to adjust the height of the trunk support.

This is how you adjust the height of the trunk support.

🔑 Allen key 5 mm

1. Remove the backrest cushion.
2. Loosen screw **A** on the backrest that holds the trunk support in place.
3. Adjust trunk support **B** to the preferred position.
4. Tighten screw **A**.
5. Put back the backrest cushion.



4.9.10 Knee support

This chapter shows you how to remove and attach the knee support. All adjustments of the knee support must be made by an authorized service technician.

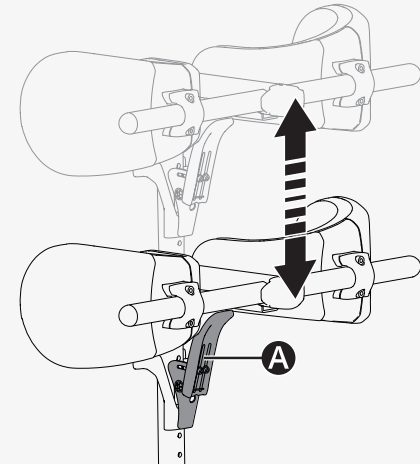
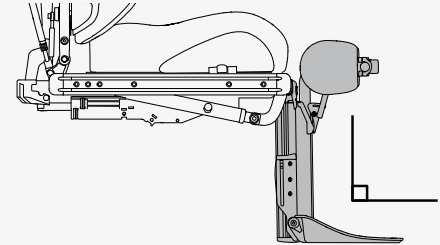
You can remove the knee support from the leg rest to make it easier to get in and out of the wheelchair. The leg rest must be in its most vertical position (90° to the seat) before you can remove the knee support.

1. Make sure that the leg rest is in its most vertical position.
2. Press and hold latch **A**.
3. Lift the knee support straight up.

When you attach the knee support to your wheelchair, make sure that it is securely in position before you rely on it for support. If you do not properly secure the knee support, it can lead to bodily injury.



WARNING! Use leg rest tilt cautiously



4.9.11 Rotational panel holder

You can adjust the distance between the armrest and the control panel, the resistance of the rotational panel holder, and the angle of the rotational panel holder.

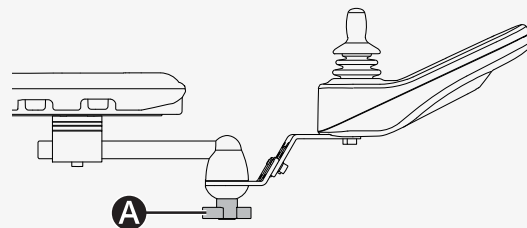
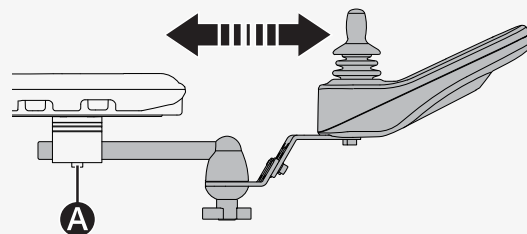
This is how you adjust the distance between the armrest and the control panel.

🔧 Allen key 5 mm


1. Loosen screw **A** on the panel joint.
2. Adjust the control panel to the preferred position.
3. Tighten the screw.

This is how you adjust the resistance of the rotational panel holder.

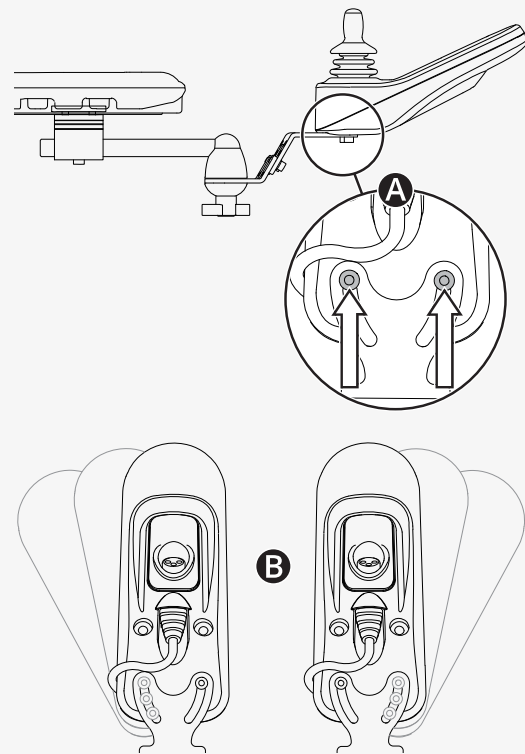
Loosen or tighten knob **A** on the friction joint to adjust how easily the rotational panel holder can be pushed to either side.



You can angle the rotational control panel to either side. This is how you adjust the angle.

 Allen key 4 mm

1. Remove screw **A** on the side you want to angle.
2. Loosen the other screw **A**.
3. Adjust the angle of panel **B** to the preferred position.
4. Tighten the two screws.



4.9.12 Parallel panel holder

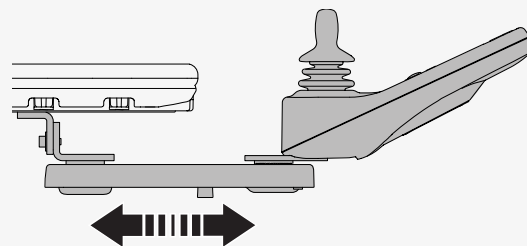
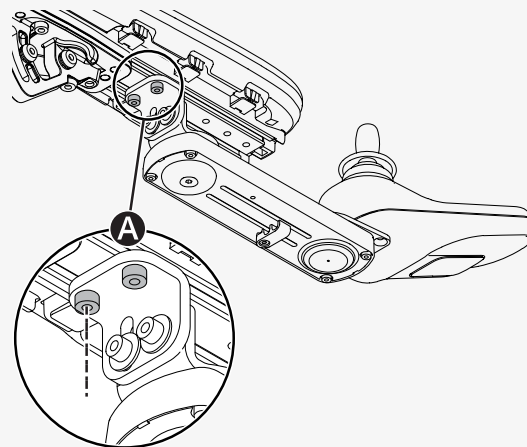
You can adjust the distance between the armrest and the control panel. It is also possible to adjust the angle of the control panel.

This is how you adjust the distance between the armrest and the control panel. Leave a gap of at least 10 mm (0.4") between the armrest and the control panel.

- 🔧 Torque wrench
- 🔧 Allen key 5 mm

1. Loosen screws **A** enough to slide the panel holder.

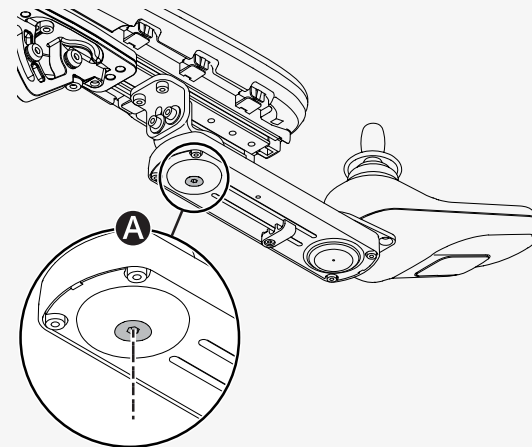
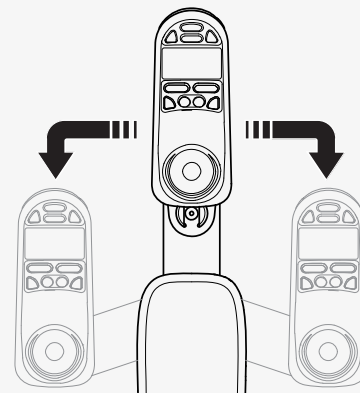
2. Adjust the panel to the preferred position.
3. Torque the screws to 9.8 N m (7.2 lb. ft.).



This is how you adjust the angle of the control panel.

🔑 Allen key 4 mm

Slide the panel to the preferred position. You can loosen or tighten screw **A** to adjust the resistance.

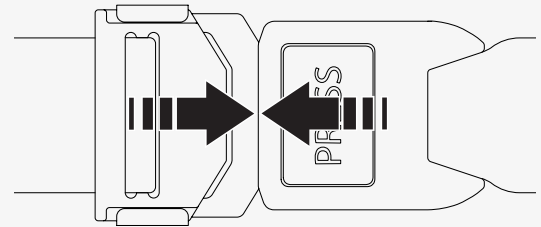
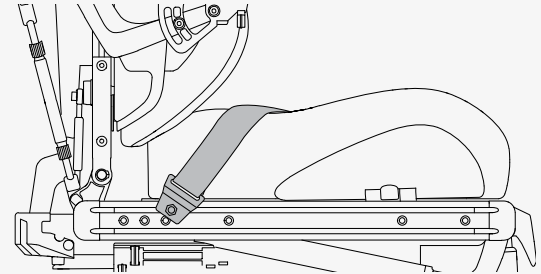


4.9.13 Positioning belt

Always wear your positioning belt. There is an accessory rail on each side of the seat frame where you can attach for example a positioning belt.

🔧 Wrench 10 mm

1. Screw the positioning belt in place in the rail's upper groove.
2. Make sure that the belt buckle locks properly in the snap lock.



5 Maintenance

For the wheelchair to work well, it is important that you use it correctly and maintain it regularly. A well maintained wheelchair lasts longer and has a lower risk of defects. Only carry out maintenance and minor adjustments that are specified in the user manual. All other maintenance, service, and repairs must be carried out by a qualified service technician authorized by Permobil.



CAUTION! Qualified service technician

5.1 Maintenance and inspection schedule

Permobil recommends compliance with the following maintenance and inspection schedule. Contact your authorized dealer for all service-related needs or questions.

Maintenance and inspection schedule	Daily	Weekly	Monthly	Yearly
Check battery level indicator and charge the wheelchair if necessary.	×			
Make sure that the joystick panel and other control panels are not damaged.	×			
Make sure that all removable parts are securely fastened.	×			
Check positioning belts for wear and make sure buckles work.	×			
If the wheelchair is equipped with pneumatic tires, check tires and inflate as necessary.		×		
If the wheelchair is equipped with lights and turn signals, make sure that they are operational and clean.		×		
Clean the wheelchair and upholstery.			×	
Check upholstery, seating, and postural supports for wear.			×	

Maintenance and inspection schedule	Daily	Weekly	Monthly	Yearly
Check that the freewheel mode and the freewheel lever work properly.			×	
Complete inspection, safety check, and service performed by an authorized wheelchair dealer.				×

5.2 Cleaning

Regular care and maintenance will prevent unnecessary wear and damage to your Permobil product.



CAUTION! Always turn off the power before cleaning the wheelchair

5.2.1 Metal surfaces

Due to the high quality powder coating, optimum corrosion protection is guaranteed. Ideally, use a soft cloth or sponge, hot water, and a mild detergent for normal cleaning. Wipe down carefully with a cloth and water, and dry off.

Remove scuff marks from semi-matte surfaces with soft wax. Follow the instructions provided by the manufacturer of the soft wax.

Remove scuff marks and scratches from shiny surfaces with car polish. You can use either liquid or paste car polish. After you have polished, apply soft car wax to restore the original surface gloss.

5.2.2 Plastics

For normal cleaning, wash plastic surfaces with a soft cloth, mild detergent, and hot water. Rinse thoroughly and dry with a soft cloth. Do not use solvents or abrasive kitchen cleaners.

5.2.3 Upholstery, cloth, and vinyl

For normal cleaning, wash the upholstery with lukewarm water and a mild, non-abrasive soap. Use a soft cloth or brush. Wipe off any water or soapy water residues with a clean, dry cloth. Let the surface dry. Repeat this procedure to remove stubborn dirt or stains. Ink spots can sometimes be removed with soap and water followed by isopropyl alcohol.

Do not use any other cleaning methods than those listed here. Other cleaning methods can attack and degrade the vinyl and can also void the wheelchair's warranty.

If necessary, you can remove the cover before cleaning. See also the washing instructions on the upholstery materials.

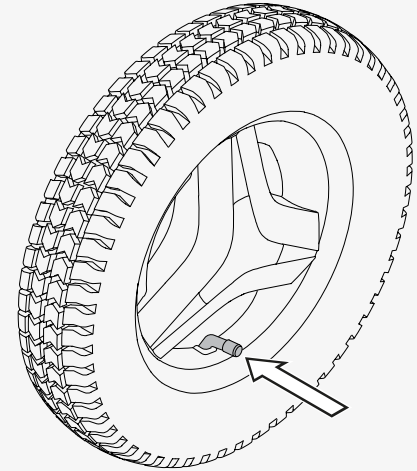
5.3 Inflating the drive wheel tires

Only drive the wheelchair with the correct tire pressure. The tire pressure for the drive wheel tires is 250 kPa (35 psi). Permobil recommends that you check the tire pressure weekly and after any significant change in temperature or altitude.

Incorrect tire pressure can make the wheelchair unstable and difficult to drive. It can also result in abnormal wear, punctures, a shorter driving range, and damage to the wheel assembly.

This is how you inflate the drive wheel tires.

1. Unscrew and remove the valve cap from the tire air valve.
2. Connect the compressed air nozzle to the valve and adjust the tire pressure to the prescribed level.
3. Put the valve cap back.



5.4 Positioning belt

Check the condition of the positioning belt regularly in case any damage or wear has occurred. If signs of damage or wear appear, replace the positioning belt immediately through your Permobil dealer.

6 Troubleshooting

The following troubleshooting guide describes a number of faults and events which can occur when you use the wheelchair, together with suggested remedies.

Note that the guide cannot describe all the problems and events which may occur and you should always contact your service provider or Permobil technical support if you need additional assistance. Troubleshooting and repairs of electronics must always be performed by qualified personnel with good knowledge of the wheelchair's electronics.

Event	Possible cause	Remedy
The wheelchair does not start.	The batteries are discharged.	Charge the batteries.
	The cable connection to the control panel has come loose.	Insert the cable in the control panel.
	The main circuit breaker is turned off.	Turn on the main circuit breaker. See page 41.
	The main circuit breaker has tripped.	Reset the main circuit breaker once. See page 41.
The wheelchair cannot be charged.	The main circuit breaker is turned off.	Turn on the main circuit breaker. See page 41.
	The charging circuit breaker has tripped.	Wait five minutes. The charging circuit breaker will automatically reset.

Event	Possible cause	Remedy
The wheelchair cannot be driven.	The battery charger is connected.	Disconnect the battery charger.
	The wheelchair is in freewheel mode.	Exit freewheel mode and restart the wheelchair.
	The wheelchair is locked.	Unlock the wheelchair.
	A seat function has triggered the automatic drive inhibit.	Make sure that the backrest and the leg rest are not tilted and that the seat is not tilted or lifted.
	The motors have gotten too warm.	Turn off the wheelchair and wait for the motors to cool down.
The wheelchair switches itself off after a certain period of inactivity (20–30 minutes).	The energy saving mode has been activated.	Press the start button on the control panel to turn on the wheelchair again.
The wheelchair stops while being driven.	The main circuit breaker has tripped.	Reset the main circuit breaker once. See page 41.
The wheelchair can only be driven at reduced speed.	A seat function has triggered the automatic speed restriction.	Make sure that the backrest and the leg rest are not tilted and that the seat is not tilted or lifted.

7 General information

This chapter contains information about warranty, standards and regulations, reporting incidents, scrapping, and technical specifications.

7.1 Warranty

Contact your dealer or Permobil Inc. USA for information about the warranty period for this product.

Product Warranty Information sets forth the conditions of the warranty. For further information about applicable warranties, see <https://permobilus.com/support/warranties/>.

7.2 Standards and regulations

This product fulfills the following requirements:

- Electrically powered wheelchairs, scooters and their chargers – Requirements and test methods (EN 12184)
- Wheelchair standard series ISO 7176
- U.S. Food and Drug Administration's regulation 21 CFR 820
- Medical Device Regulation (EU) 2017/745

7.3 Electromagnetic interference

EMI stands for Electromagnetic Interference, which is an electromagnetic emission that causes a disturbance in another piece of electrical equipment. EMI can be caused by anything that carries rapidly changing electrical currents, for example mobile telephones, large medical equipment, or other sources of electromagnetic radiation. Modifications to the device can make it more susceptible to EMI. There is no easy way to evaluate the effect of a modification on the overall EMI of the device.

Your wheelchair has passed the test of immunity to electromagnetic fields. As of May 1994, 20 V/m is a generally achievable and useful immunity level, and it is also the immunity level of your wheelchair in its factory configuration. However, it cannot be excluded that electromagnetic emissions can affect your wheelchair, for example in environments such as shopping malls and hospitals.

Nevertheless, it is permitted to use cordless telephones and cell phones, including hands-free devices, while operating your power wheelchair. In the unlikely event that you should experience abnormal operation of your wheelchair, stop driving immediately, turn off the wheelchair, and report the incident as soon as possible.

7.4 Reporting incidents

If an incident occurs, please contact Permobil by phone or e-mail.

7.5 Scrapping and recycling

Contact Permobil for information about scrapping agreements in force.

7.6 Technical specifications

Mass of the heaviest part	Backrest 7.5 kg (16.5 lb.)
Pivot width	1130 mm (44")
Minimum turning diameter	1120 mm (44")
Required width of angled corridor	840 mm (33")
Required doorway entry depth	1162 mm (46")
Required corridor width for side opening	940 mm (37")
Ground clearance	90 mm (3.5")
Ability to negotiate obstacles (approach distance 0 cm [0"])	50 mm (2")
Ability to negotiate obstacles (approach distance 50 cm [20"])	100 mm (4")
Battery cycle life	450 cycles
Battery type and nominal voltage	Sealed lead acid, 2 x 12 V, group 24
Occupant mass group	III

How to contact your production unit

Timrå, Sweden



PU TIM
Permobil AB
Per Uddéns väg 20
861 36 Timrå
Sweden



+46 60 59 59 00



+46 60 57 52 50



info@permobil.com



www.permobil.com

Nashville, USA



PU NAS
Permobil Inc.
300 Duke Drive
Lebanon, TN 37090
USA



+1 800 736 0925



+1 800 231 3256



support@permobil.com



www.permobil.com

How to contact your local office

United States

-  Permobil Inc.
300 Duke Drive
Lebanon, TN 37090
USA
-  +1 800 736 0925
-  +1 800 231 3256
-  support@permobil.com
-  www.permobil.com
-  PU NAS

Australia

-  Permobil Australia
8 Viewbrook Close
Seven Hills, NSW, 2147
Australia
-  +61 1300 845 483
-  orders.au@permobil.com
-  www.permobil.com
-  PU NAS

Dealer's address and telephone number

permobil

337281 eng-US



www.permobil.com