

Wheelchair  
Fauteuil roulant  
Rolstoel

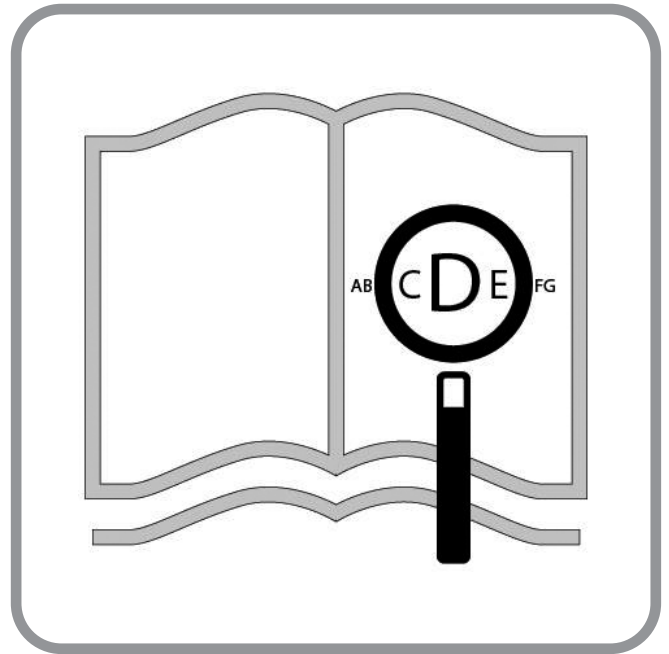


# Krypton F

Directions for use  
Notice d'utilisation  
Gebruikershandleiding

**QUICKIE**<sup>®</sup>

000690975.02



**If you are visually impaired, this document can be viewed in PDF format at [www.SunriseMedical.co.uk](http://www.SunriseMedical.co.uk)**

**Si vous souffrez de déficience visuelle, ce document peut être consulté en format PDF sur [www.sunrisemedical.fr](http://www.sunrisemedical.fr)**

**Als u visueel gehandicapt bent kan dit document ook worden gelezen in PDF-formaat op: [www.SunriseMedical.nl](http://www.SunriseMedical.nl)**

### **Wheelchair Components**

**EN** 

We at SUNRISE MEDICAL have been awarded the ISO-13485 certificate, which affirms the quality of our products at every stage, from R & D to production. This products meet the requirements in accordance with EC regulations. Options or accessories shown are available at extra cost.

### **Description du fauteuil**

**FR** 

Nous, la société SUNRISE, sommes certifiés ISO 13485, ce qui garantit la qualité de nos produits à tous les stades, du développement jusqu'à la production. Ce produit est conforme aux réglementation de la Communauté européenne. Les options ou accessoires illustrés sont disponibles en option.

### **Rolstoelonderdelen**

**NL** 

SUNRISE MEDICAL heeft het ISO 13485 certificaat toegekend gekregen, een bewijs van de kwaliteit van onze processen in elk stadium, vanaf het onderzoek en de ontwikkeling tot de productie. Deze producten voldoen aan de eisen in overeenstemming met de EG-regelgeving. Getoonde opties en accessoires zijn tegen betaling verkrijgbaar.



07



1. Push handle
2. Backrest sling
3. Sideguard
4. Seat sling
5. Footrest
6. Castors
7. Footplate
8. Fork
9. Quick-release axles
10. Wheel locks
11. Handrim
12. Rear wheel



34



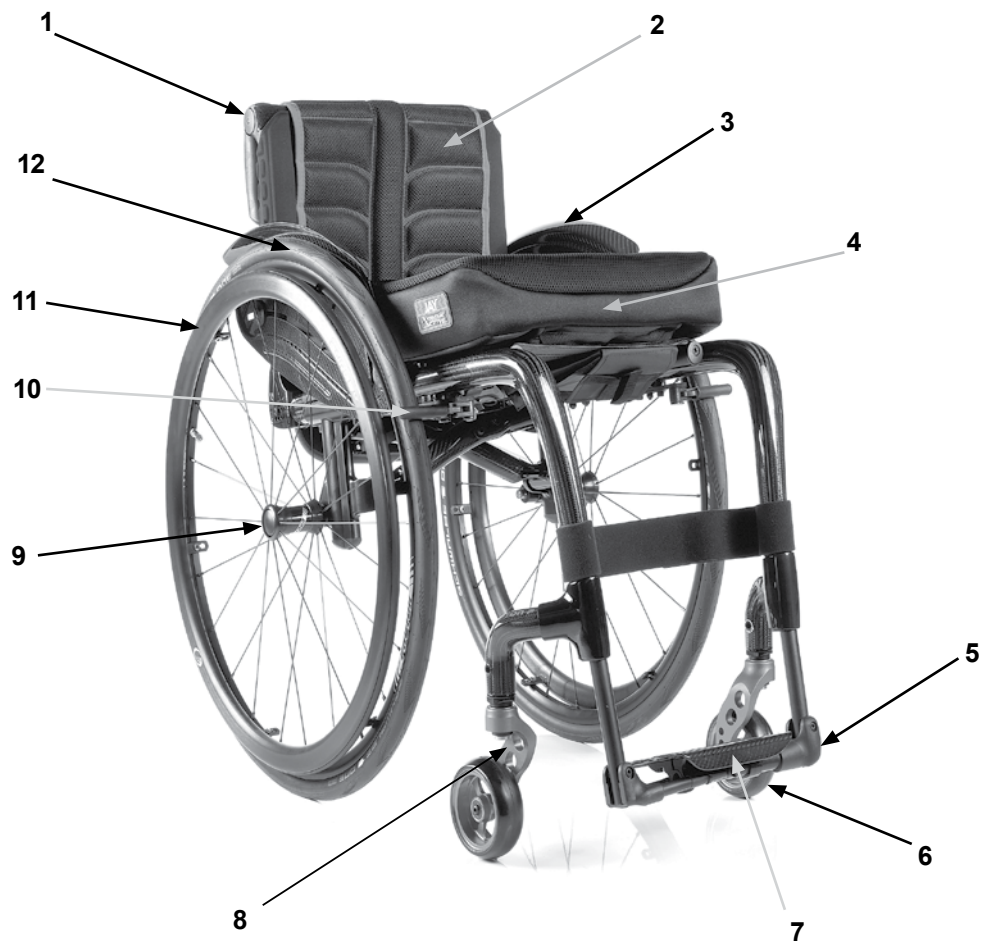
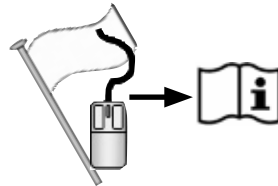
1. Poignée de poussée
2. Toile de dossier
3. Protège-vêtement
4. Toile du siège
5. Repose-pieds
6. Roues avant
7. Palette
8. Fourche
9. Axes à déverrouillage rapide
10. Freins
11. Main courante
12. Roue arrière

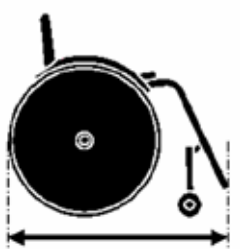
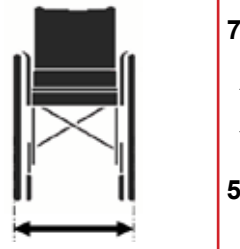
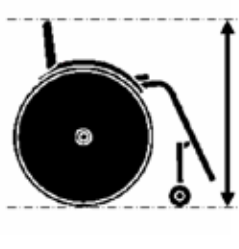

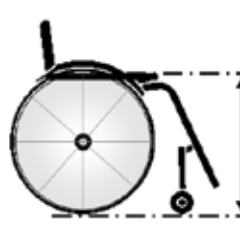
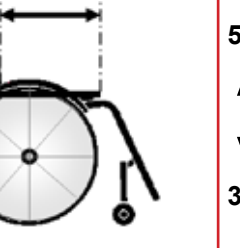

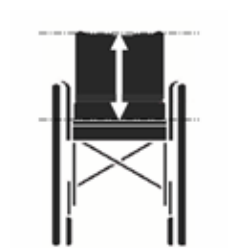
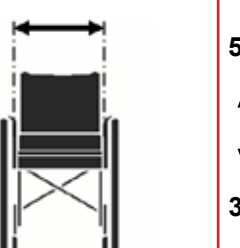
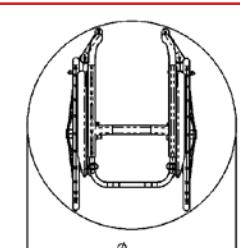
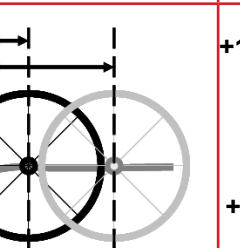



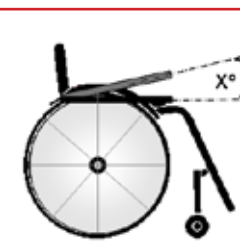
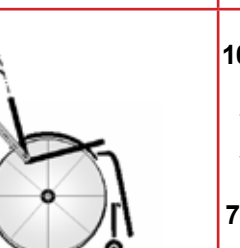
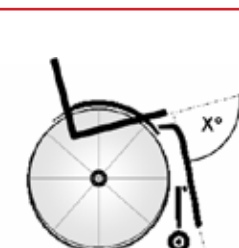
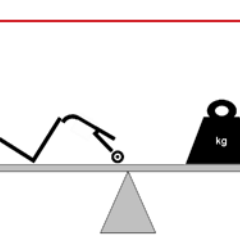
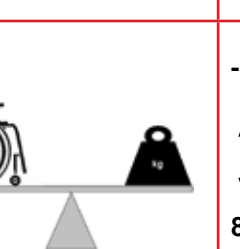




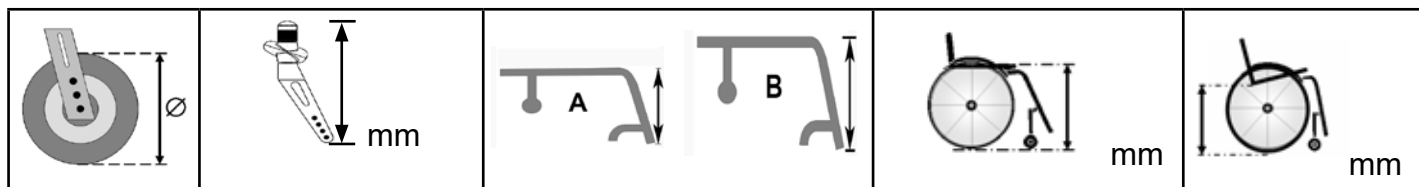
61



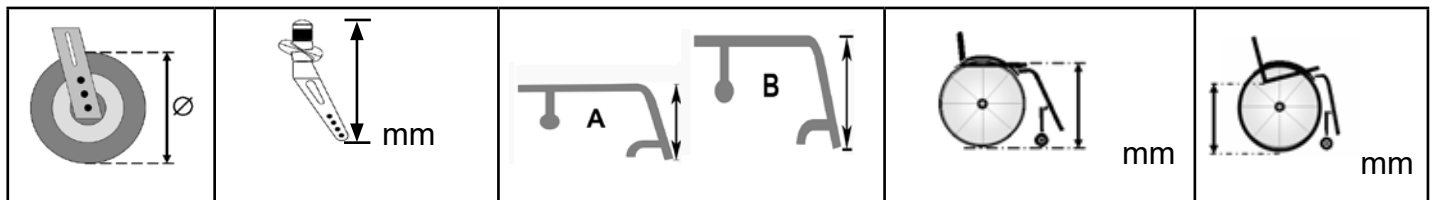
1. Duwhandvat
2. Rugleuning met band
3. Zijkant
4. Zitmat
5. Voetsteun
6. Voorwielen
7. Voetenplaat
8. Vork
9. Quick-Release assen
10. Remmen
11. Hoepel
12. Achterwiel



	1050 ↕ 770		760 ↕ 520		1020 ↕ 690		500 ↕ 220
	550 ↕ 430		500 ↕ 340		567 ↕ 540		MAX. ↕ MIN.
	475 ↕ 250		500 ↕ 320				MAX. ↕ MIN.
	880 ↕ ---		+130 ↕ +40				MAX. ↕ MIN.
	10° ↕ 0°		10° ↕ 0°		10° ↕ 0°		MAX. ↕ MIN.
	15° ↕ 0°		103° ↕ 75°		103° ↕ 92°		MAX. ↕ MIN.
	5.8 ↕ ---		--- ↕ 8.3		110 ↕ ---		MAX. ↕ MIN.



3" (76 mm)	A	111 mm	430	370-430
		123 mm	440	370-440
		111 mm	450	370-450
		123 mm	450	370-450
	B	111 mm	460	370-460
		123 mm	470	370-470
		111 mm	470	370-470
		123 mm	480	370-480
4" (102 mm)	A	111 mm	490	380-490
		123 mm	490	380-490
		111 mm	500	390-500
		123 mm	510	400-500
	B	111 mm	440	370-440
		123 mm	450	370-450
		111 mm	460	370-460
		123 mm	470	370-470
		111 mm	450	370-450
		123 mm	460	370-460
		111 mm	470	370-470
		123 mm	480	370-480
5" (127 mm)	A	111 mm	480	370-480
		123 mm	490	380-490
		111 mm	500	390-500
		123 mm	510	400-500
	B	111 mm	490	380-490
		123 mm	500	390-500
		111 mm	510	400-500
		123 mm	520	410-500
		111 mm	460	370-460
		123 mm	470	370-470
		111 mm	480	370-480
		123 mm	470	370-470
5" (127 mm)	A	111 mm	480	370-480
		123 mm	490	380-490
		111 mm	500	390-500
		123 mm	510	400-500
	B	111 mm	520	410-500
		123 mm	510	400-500
		111 mm	520	410-500
		123 mm	530	420-500



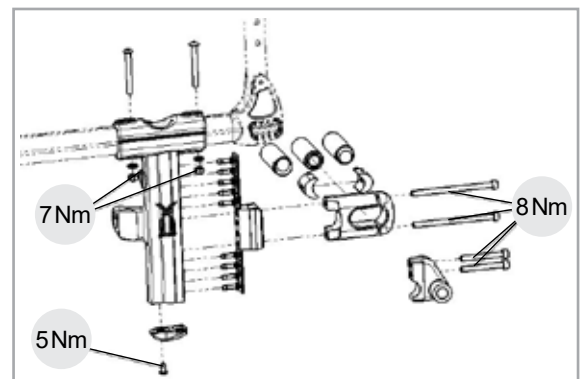
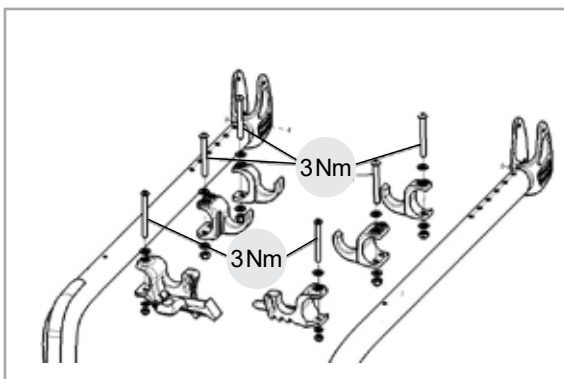
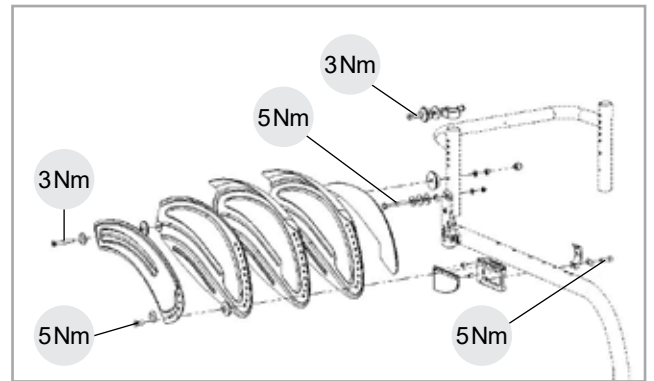
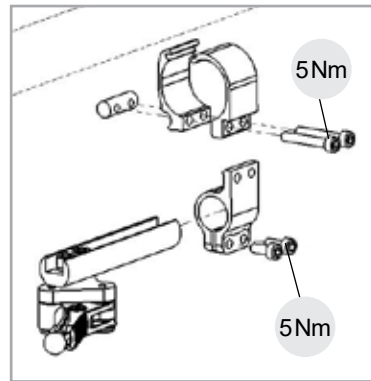
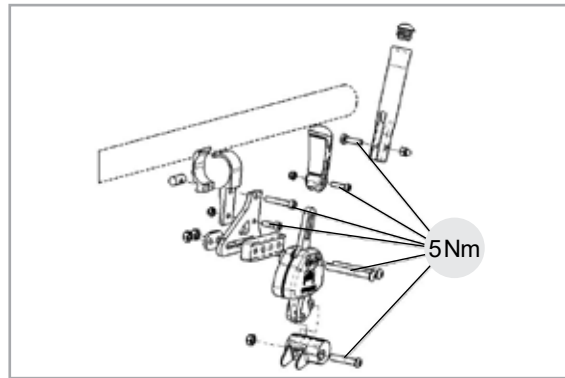
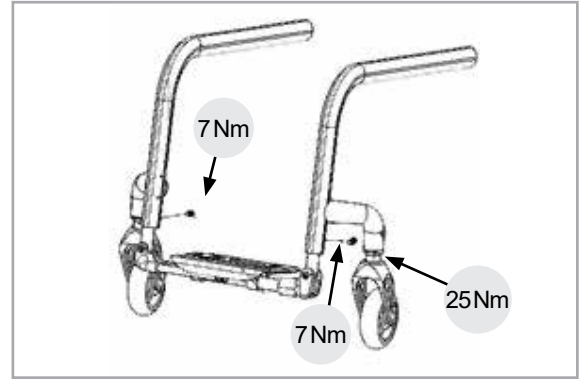
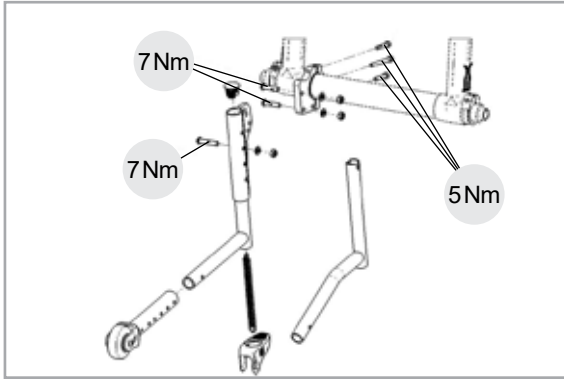
6" (152 mm)	123 mm	A	480	370-480
			490	380-490
			500	390-500
4" (102 mm)	Frogleg	B	520	410-500
			530	420-500
			540	430-500
5" (127 mm)	Frogleg	A	470	370-470
			480	370-480
			490	380-490
6" (152 mm)	Frogleg	B	500	390-500
			520	410-500
			530	420-500
6" (152 mm)	Frogleg	A	540	430-500
			490	380-490
			500	390-500
6" (152 mm)	Frogleg	B	510	400-500
			530	420-500
			550	440-500



M5 = 5.0 Nm  
 M6 = 7.0 Nm  
 M8 = 10.0 Nm



Nm



**⚠ CAUTION!**

Some of the screws that are used in manufacture have a thread lock (blue dot on the threads) and can be used up to three times, then they must be replaced by new screws. Alternatively, you can put Loctite™ 243 threadlock on the screws and re-fit them.

**Dear Customer,**

We are very happy that you have decided in favour of a high-quality product from SUNRISE MEDICAL.

This owner's manual will provide numerous tips and ideas so that your new wheelchair can become a trustworthy and reliable partner in your life.

Maintaining close ties to our customers means a lot to us at Sunrise Medical. We like to keep you up-to-date about new and current developments at our company. Keeping close to our customers means: fast service, as little red tape as possible, working closely with customers. When you need replacement parts or accessories, or if you just have a question about your wheelchair – we are there for you.

We want you to be satisfied with our products and service. At Sunrise Medical we are constantly working to develop our products further. For this reason, changes can occur in our palette of products with regard to form, technology and equipment. Consequently, no claims can be construed from the data or pictures contained in this user's manual.

**The management system of SUNRISE MEDICAL is certified to EN ISO 9001, ISO 13485 and ISO 14001.**

**CE** As the manufacturer, SUNRISE MEDICAL, declares that the lightweight wheelchairs conform to the Medical Device Regulation (2017/745).

**NOTE:****General user advice.**

Not following these instructions may result in physical injury, damage to the product or damage to the environment!

Notice to the user and/or patient: Any serious incident that has occurred in relation to the device should be reported to the manufacturer and the competent authority of the Member State in which the user and/or patient is established.

**B4Me special adaptations**

Sunrise Medical strongly recommends that in order to ensure that your B4Me product operates, and performs as intended by the manufacturer; all the user information supplied with your B4Me product is read and understood, before the product is first used.

Sunrise Medical also recommends that the user information is not discarded after reading it, but it is kept safely stored for future reference.

**Medical Device Combinations**


It may be possible to combine this Medical device with one or more other Medical Device or other product. Information on which combinations are possible can be found at [www.Sunrisemedical.co.uk](http://www.Sunrisemedical.co.uk). All combinations listed have been validated to meet the General Safety and Performance Requirements, Annex I Nr. 14.1 of the Medical Device Regulation 2017/745.

Guidance on the combination, such as mounting, can be found at [www.SunriseMedical.co.uk](http://www.SunriseMedical.co.uk)

Please contact your local, authorised SUNRISE MEDICAL dealer if you have any questions concerning the use, maintenance, or safety of your wheelchair.

In case there is no authorised dealer in your area, or you have any questions, contact Sunrise Medical either in writing or by telephone.

**Sunrise Medical****Thorns Road****West Midlands****DY5 2LD****England****Phone: 0845 605 66 88****Fax: 0845 605 66 89****[www.SunriseMedical.co.uk](http://www.SunriseMedical.co.uk)**

**IMPORTANT:**  
 DO NOT USE YOUR WHEELCHAIR UNTIL THIS MANUAL HAS BEEN READ AND UNDERSTOOD.



## Use

Wheelchairs are exclusively for an adult or child who is unable to walk or has limited mobility, for their own personal use, when self-propelling and use with help (pushed by attendant) within the home and outdoors.

**The maximum weight limit (includes both the user and any weight of accessories fitted to the wheelchair) is marked on the serial number label, which is affixed to the cross-tube or cross-brace under the seat.**

Warranty can only be issued if the product is used under the specified conditions and for the intended purpose. The intended lifetime of the wheelchair is 5 years. NO NON-STANDARD PARTS are to be fitted, other than those officially approved by Sunrise Medical.

The load-bearing components of this wheelchair are manufactured from carbon (correct designation: carbon fibre reinforced plastic or CFRP). Carbon fibre is a high-strength material that is used for conditions requiring extreme load-bearing capacity with minimal weight. Our carbon components are manually produced - irregularities in the weave, unevenness in the surface or small air pockets are purely visual and have no impact on stability.

Carbon has some different features compared to metal or other plastics which should be considered for normal use.

### CAUTION!

Carbon can be damaged from overloading (impacts or shocks which go beyond usual use such as: Falls, tipping over or dropping the wheelchair. Overloading may damage the carbon fibres or lead to delamination (separation of the fibre layers or separation of the fibres from the resin).

Often, this damage cannot be identified externally and may lead to reduced load-bearing capability or breaking of components in extreme cases.

### DANGER!

- After an accident, fall or dropping the wheelchair, it should no longer be used for safety reasons and should be sent to Sunrise Medical for inspection.
- The wheelchair should be regularly inspected for damage (cracks, discolourations, etc.).
- If the surface of the carbon components is damaged (indents or scratches which are deeper than the varnish layer) then the wheelchair should be sent to Sunrise Medical for inspection.
- During transportation (especially when traveling by air), ensure that the wheelchair does not come into contact with other items of luggage. Under no circumstances may luggage be loaded onto the wheelchair. Ensure that the wheelchair is firmly secured for slipping.

- Pay attention to creaking noises when using the wheelchair as these could indicate damage to the fibre structure. If applicable send to the wheelchair to Sunrise Medical for inspection.
- Replace damaged components immediately - damage to carbon components cannot be repaired.
- Accessories from third party suppliers such as handbikes, front wheels, or other non-standard fittings, are not permitted.
- Do not exceed the prescribed torque for all clamps and screws.
- Never attach any extensions using clamps or screws.
- Never mechanically alter or drill the carbon components.
- Never expose the wheelchair to high temperatures (such as for example as may happen to vehicles parked in the sun) or store near to heat sources.
- Clean the carbon components exclusively with a damp cloth and clear, cold or lukewarm water, or with added detergent if required.
- Never use any type of solvent or solvent-based cleaner, alcohol or acetone. Do not use any polish or abrasive varnish cleaner.

## Area of Application.

### Indications

The varieties of fitting variants, as well as the modular design, mean that it can be used by those who cannot walk or have limited mobility because of:

- Paralysis
- Loss of extremity (leg amputation)
- Extremity defect deformity
- Joint contractures/joint injuries
- Illnesses such as heart and circulation deficiencies, disturbance of equilibrium or cachexia, Neurological disease patterns, Muscle dystrophy, Hemiplegia as well as for elderly people who still have strength in the upper body.

### Contraindications

The wheelchair shall not be used without attendant in case of:

- Perception disorder
- Imbalance
- Loss of both arms, if not supported by a caregiver
- Joint contracture or joint damage on both arms
- Seating disability





When considering provision, please also note the body size, weight, physical and psychological constitution, the age of the person, living conditions and environment.

## Table of Contents

Foreword	8
Use	9
1.0 Definitions	10
2.0 General safety notes and driving limits	11
3.0 Guarantee	14
4.0 Handling	15
5.0 Quick Release Wheels	16
6.0 Options	16
6.1 Step Tubes	16
6.2 Wheel locks	16
6.3 Foot rests	18
6.4 Seating	20
6.5 Castors	22
6.6 Backrest	23
6.7 Headrests	23
6.8 Wheel Alignment	24
6.9 Sideguards	25
6.10 Push handles	26
6.11 Crutch holder	27
6.12 Anti tips	27
6.13 Stabilizing Bar	28
6.14 Transit Wheels	28
6.15 Pelvic Restraint Belt	29
7.0 Daily Checks	31
8.0 Tyres and mounting	31
9.0 Maintenance and care	31
10.0 Trouble shooting	32
11.0 Disposal / Recycling of Materials	32
12.0 Name Plate	33
13.0 Technical Data	33

## 1.0 Definitions

## Definitions of words used in this manual

Word	Definition
 <b>DANGER!</b>	Advice to the user of potential risk of serious injury or death if the advice is not followed
 <b>WARNING!</b>	Advice to the user of a risk of injury if the advice is not followed
 <b>CAUTION!</b>	Note to user that potential damage to equipment may occur if the advice is not followed
<b>NOTE:</b>	General advice or best practice
	Reference To Additional Documentation

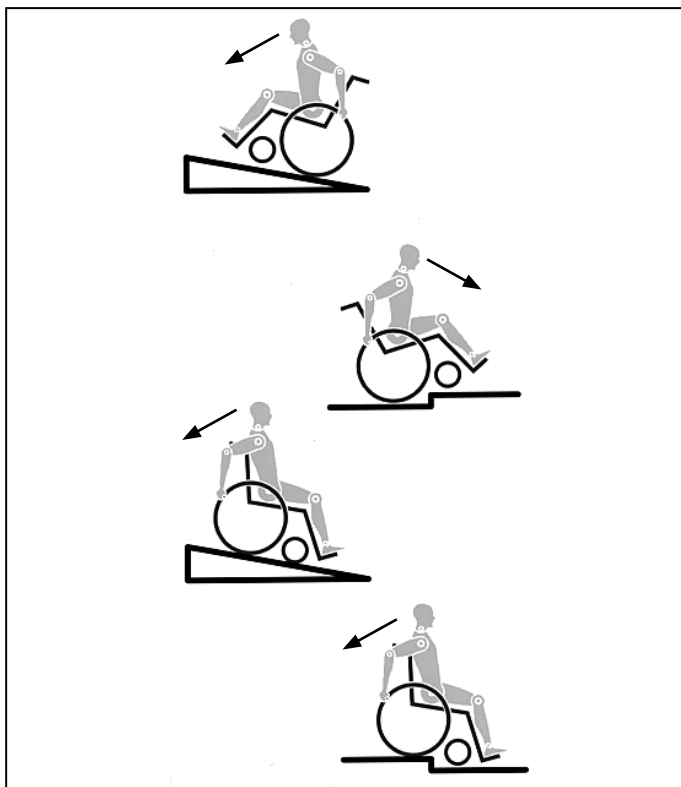
**NOTE:**

- The wheelchairs shown and described in this user guide may not correspond in every detail exactly to your own model. However, all instructions are completely relevant, regardless of possible detail differences.
- Contact your authorised dealer for further information and safety instructions.
- The manufacturer reserves the right to alter without notice any weights, measurements or other technical data shown in this manual. All figures, measurements and capacities shown in this manual are approximate and do not constitute specifications.

**NOTE:**

- Please keep a note of the address and telephone number of your nearest service centre in the space below.
- In the event of a breakdown, contact them and try to give all relevant details so they can help you quickly.

Unterschrift und Stempel des Fachhändlers



The engineering and construction of this wheelchair has been designed to provide maximum safety. International safety standards currently in force have either been fulfilled or exceeded in parts. Nevertheless, users may put themselves at risk by improperly using their wheelchairs. For your own safety, the following rules must be strictly observed.

Unprofessional or erroneous changes or adjustments increase the risk of accident. As a wheelchair user, you are also part of the daily traffic on streets and pavements, just like anyone else. We would like to remind you that you are therefore also subject to any and all traffic laws. Be careful during your first ride in this wheelchair. Get to know your wheelchair.

Before each use, the following should be checked:

- Quick-release axles on the rear wheels
- Velcro on seats and backrests
- Tyres, tyre pressure and wheel locks.

Before changing any of the adjustments of this wheelchair, it is important to read the corresponding section of the user's manual.

It is possible that potholes or uneven ground could cause this wheelchair to tip over, especially when riding uphill or downhill. When riding forwards over a step or up an incline, the body should be leaning forward.

### DANGER!

- NEVER exceed the maximum load of 110 kg for driver plus any items carried on the wheelchair. Please note the weight information for lighter weight options, which are quoted separately. If you exceed the maximum load, this can lead to damage to the chair, or you may fall or tip over, lose control and may lead to serious injury of the user and other people.

- When it is dark, please wear light clothing or clothing with reflectors, so that you can be seen more easily. Make sure that the reflectors on the side and back of the wheelchair are clearly visible. We would also recommend that you fit an active light.
- To avoid falls and dangerous situations, you should first practice using your new wheelchair on level ground with good visibility.
- When getting on or off the wheelchair, do not use the footboards. These should be flipped up beforehand and swung to the outside as far as possible. Always position yourself as close as possible to the place where you wish to sit.
- Only use your wheelchair properly. For example, avoid travelling against an obstacle without braking (step, kerb edge) or dropping down gaps.
- The wheel locks are not intended to brake your wheelchair. They are only there to ensure that your wheelchair does not begin rolling unintentionally. When you stop on uneven ground, you should always use the wheel locks to prevent such rolling. Always apply both wheel locks; otherwise, your wheelchair could tip over.
- Explore the effects of changing the centre of gravity on the behaviour of the wheelchair, for example on inclines, slopes, all gradients or when overcoming obstacles. Do this with the secure aid of a helper.
- With extreme settings (e.g. rear wheels in the most forward position) and less than perfect posture, the wheelchair may tip over even on a level surface.
- Lean your upper body further forward when going up slopes and steps.
- Lean your upper body further back when going down slopes and steps. Never try to climb and descend a slope diagonally.
- Avoid using an escalator which may lead to serious injury in the event of a fall.
- Do not use the wheelchair on slopes  $> 10^\circ$ . The Dynamic safe slope is dependant on the chair configuration, the users abilities and the style of riding. As the user's abilities and style of riding cannot be pre-determined then the max safe slope cannot be determined. Therefore this must be determined by the user with the assistance of an attendant to prevent tipping. It is strongly recommended that inexperienced users have anti-tip tubes fitted.
- It is possible that potholes or uneven ground could cause this wheelchair to tip over, especially when riding uphill or downhill.
- Do not use your wheelchair on muddy or icy ground. Do not use your wheelchair where pedestrians are not allowed.
- To avoid hand injuries do not grab in between the spokes or between the rear wheel and wheel lock when driving the wheelchair.
- In particular when using lightweight metal handrims, fingers will easily become hot when braking from a high speed or on long inclines.
- Riding sideways on to a slope or incline, increases the possibility of the wheelchair tipping over sideways.

- Only attempt stairs with the help of an attendant. There is equipment available to help you, e.g. climbing ramps or lifts, please use them. If there is no such equipment available, then the wheelchair must be tipped and pushed, never carried, over the steps (2 helpers). We recommend that users over 100 kg in weight do not use this stairway manoeuvre!
- In general, any anti-tip tubes fitted must be set beforehand, so that they cannot touch the steps, as otherwise this could lead to a serious tumble. Afterwards the anti-tip tubes must be set back to their correct position.
- Make sure that the attendant only holds the wheelchair using securely mounted parts (e.g. not on the footrests or the sideguards).
- This wheelchair is not designed for weight training and/or for the use of dumbbells. Only use devices which have been specifically designed for this purpose.
- Do not lift or carry the wheelchair by the backtubes or the pushhandles.
- When using the lifting ramp make sure that the anti-tip tubes fitted are positioned outside the danger area.
- Secure your wheelchair on uneven ground or when transferring, e.g. into a car, by using the brakes.
- Depending on the diameter and setting of the castors, as well as the centre of gravity setting of the wheelchair, the castors may begin to wobble at high speeds. This can lead to the castors being blocked and the wheelchair may tip over. Therefore, please make sure that the castors are adjusted correctly (see the Chapter "Castors"). In particular, do not travel on an incline without brakes, travel at a reduced speed. We recommend that novice users use anti-tip tubes.
- Anti-tip tubes should prevent the chair tipping over backwards unintentionally. Under no circumstances should they take the place of transit wheels, and be used to transport a person in a wheelchair with the rear wheels removed.
- When reaching for objects (which are in front of, to the side or behind the wheelchair) make sure that you do not lean too far out of the wheelchair, as if you change the centre of gravity there is a risk of tipping or rolling over. The hanging of additional load (back pack or similar items) onto your chair backposts can affect the rearward stability of your chair, especially when used in combination with recliner backrests. This can cause the chair to tip backwards causing injury.
- Adjustments to your wheelchair, particularly to safety-related components must be carried out by an approved dealer. This applies to adjustments to wheel locks, anti-tip tubes, backrest angle and height, lower leg length, COG, lap belt, rear wheel toe-in and camber, seat height as well as toe-in and directional stability of the castor fork.
- Do not fit any unauthorized electronic equipment, powered or mechanically operated mobility drives, hand-bike or any other device that changes the intended use or the structure of the wheelchair.
- Any combination with other medical devices requires the approval of Sunrise Medical.
- Please note that in certain configurations the wheelchair may exceed a width of 700 mm. If this is the case, under certain circumstances, it may not be possible to use some or all of the available escape routes from a building. It may be more difficult or impossible to travel on public transport.
- For thigh amputees you must use anti-tip tubes.
- Before setting off, check that your tyre pressure is correct. For rear wheels it should be at least 3.5 bar (350 kPa). The max. pressure is indicated on the tyre. The knee-lever brakes will only work if there is sufficient tyre pressure and if the correct setting has been made (see the Chapter on "Brakes").
- If the seat and back sling are damaged, you must replace them immediately.
- Be careful with fire, in particular with burning cigarettes. Seat and back slings can be set alight.
- If the wheelchair is subject to direct sunlight for a long period of time, then parts of the wheelchair (e.g. frame, legrests, brakes and sideguard) may become hot (>41°C).
- Always make sure that the quick-release axles on the rear wheels are set properly and lock in. If the button on the quick-release axle is not pressed in, the rear wheel cannot be removed.

 **WARNING!**

- The effect of the knee-lever brake as well as the general driving characteristics are dependent on tyre pressure. The wheelchair is significantly lighter and easier to manoeuvre when the rear wheels are pumped up correctly and both wheels have the same pressure.
- Make sure that your tyres have sufficient tread! Please note that you are subject to any and all traffic laws when driving in public traffic.
- Always be careful with your fingers when working or adjusting the wheelchair!

 **WARNING!**

**CHOKING HAZARD** – This mobility aid uses small parts which under certain circumstances may present a choking hazard to small children.

The wheelchairs shown and described in this user guide may not correspond in every detail exactly to your own model. However, all instructions are completely relevant, regardless of possible detail differences.

The manufacturer reserves the right to alter without notice any weights, measurements or other technical data shown in this manual. All figures, measurements and capacities shown in this manual are approximate and do not constitute specifications.

Sunrise Medical is ISO 13485 certified, and this guarantees quality assurance in the development and production processes of all our products. This product complies with the standards set forth in EU directives. Optional equipment and accessories are available at extra charge.

### 3.0 Guarantee

#### **THIS GUARANTEE DOES NOT AFFECT YOUR LEGAL RIGHTS IN ANY WAY.**

Sunrise Medical\* provides a guarantee, as set out in the warranty conditions, for wheelchairs to its customers covering the following.

#### **Warranty conditions:**

1. Should a part or parts of the wheelchair require repair or replacement as a result of a manufacturing and/or material fault within 24 months after delivery to the customer, then the affected part or parts will be repaired or replaced free of charge. The warranty will only cover manufacturing defects
2. To enforce the warranty, please contact Sunrise Medical Customer Service with the exact details of the nature of the difficulty. Should you be using the wheelchair outside the area covered by the Sunrise Medical customer service agent, repairs or replacement will be carried out by another agency as designated by the manufacturer. The wheelchair must be repaired by a Sunrise Medical designated Customer Service agent, (dealer).
3. For parts, which have been repaired or exchanged within the scope of this warranty, we provide a warranty in accordance with these warranty conditions for the remaining warranty period for the wheelchair in accordance with point 1).
4. For original spare parts which have been fitted at the customer's expense, these will have a 12 months guarantee, (following the fitting), in accordance with these warranty conditions.
5. Claims from this warranty shall not arise, if a repair or replacement of a wheelchair or a part is required for the following reasons:
  - a. Normal wear and tear, which include batteries, armrest pads, upholstery, tyres, brakes shoes, etc.
  - b. Any overloading of the product, please check the EC label for maximum user weight.
  - c. The product or part has not been maintained or serviced in accordance with the manufacturer's recommendations as shown in the user instructions and/or the service instructions.
  - d. Accessories have been used which are not specified as original accessories.
  - e. The wheelchair or part having been damaged by neglect, accident or improper use.
  - f. Changes/modifications have been made to the wheelchair or parts, which deviate from the manufacturer's specifications.
  - g. Repairs have been carried out, before our Customer Service has been informed of the circumstances.
6. This guarantee is subject to the law of the country in which the product was purchased from Sunrise Medical\*

\* Means the Sunrise Medical facility from which the product was purchased.

#### **Additional Notes For Australia Only:**

- i. For goods provided by Sunrise medical Pty Ltd in Australia, our goods come with a guarantee by Sunrise Medical that cannot be excluded under Australian Consumer Law.
- ii. You are entitled to a replacement or refund for a major failure and for compensation for any foreseeable loss or damage.
- iii. You are also entitled to have the goods repaired or replaced if the goods fail to be of acceptable quality and the failure does not amount to a major failure.
- iv. The benefits to you given by this warranty are in addition to your other rights and remedies under a law in relation to the goods to which the warranty relates.

## 4.0 Handling

### Folding up

First remove the seat cushion from the wheelchair and flip up the (platform) footplate. Take hold of the sling or the seat tubes (Fig. 4.1) in the middle, from the back, and pull it upwards until the folding bracket (Fig. 4.2) clicks into place.

### Transportation

To move the mobility aid, the folded wheelchair should be lifted by holding the front part of the cross-brace and the push handles.

### Unfolding

Push the release lever of the folding bracket (Fig. 4.3) downwards and push both frame halves apart. Then press on the seat tube (see figure). Your wheelchair is then unfolded. Now snap the seat tubing into position in the seat saddle. This can be facilitated by slightly tipping your wheelchair to the side, as this means that the weight is taken off one of the rear wheels. **Be careful not to get your fingers caught in the cross-tube assembly.** Fit the seat cushion. (Fig. 4.4).

### Getting into your wheelchair on your own (Fig. 4.5)

- Push the wheelchair to a wall or a solid piece of furniture;
- Apply the wheel locks;
- Flip the footplates up;
- The user can lower themselves into the wheelchair;
- Fold the footplates back down, and position your feet in front of the leg strap.

### Getting out of your wheelchair on your own (Fig. 4.6)

- Apply the wheel locks;
- Fold the footplates upwards with your foot;
- With one hand on the armrest, the person should bend slightly forward, to bring the body weight to the front of the seat, and then with both feet firmly on the ground and one foot behind the other, push up into the upright position.

### WARNING!

- When transferring to and from the wheelchair, do not stand on the footplates. If you stand on the footplates, there is a risk of the wheelchair tipping forwards.
- When transferring to and from the wheelchair, make sure that your feet are firmly on the ground.
- When transferring to and from the wheelchair, always make sure that the wheel locks have been applied.

Fig. 4.1



Fig. 4.2



Fig. 4.3



Fig. 4.4



Fig. 4.5

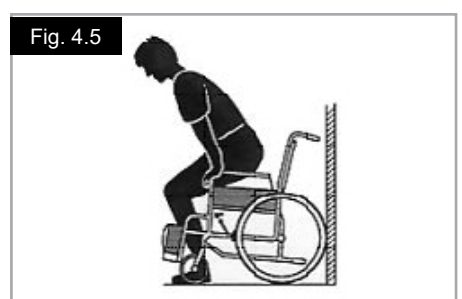
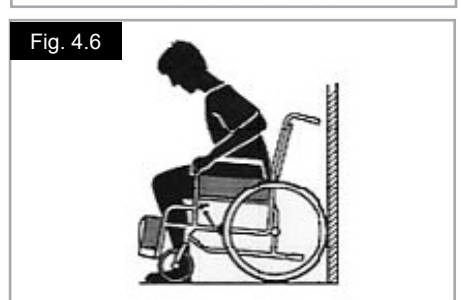


Fig. 4.6



## 5.0 Quick Release Wheels

### Quick-release axles on rear wheel

The rear wheels are equipped with quick-release axles. The wheels can thus be installed or removed without using tools. To remove a wheel, simply depress the quick-release button on the axle and pull the wheel off the axle. (Fig. 5.1).

### Quick release for quads/tetraplegics

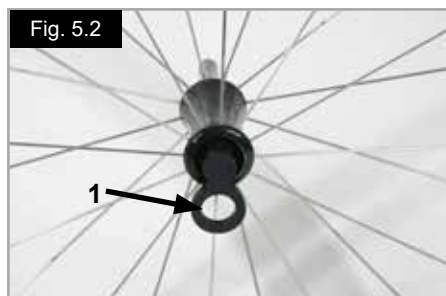
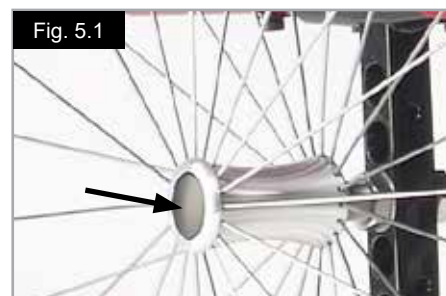
Please flip up the release lever (1). Then take out the quick release axles and/or the wheels.

When the wheels/quick release axles have been put on the chair again, please flip the release lever down.

Please do always ensure that the release mechanism is closed and fully locked before starting to use the wheel chair (Fig. 5.2).

### WARNING!

- Hold the quick-release button on the axle depressed when inserting the axle into the frame to mount the rear wheels. Release the button to lock the axles in place. The quick-release button should snap back to its original position.
- Risk of Injury. Be careful not to trap your fingers in the wheels as they turn. Always stop the wheels before removing them.



## 6.0 Options

### 6.1 Step Tubes

Step tubes are used by attendants to push a wheelchair over an obstacle. Simply step on the tube to push a wheelchair, for example, over a kerb or step, (Fig. 6.1.1).



### 6.2 Wheel locks

### CAUTION!

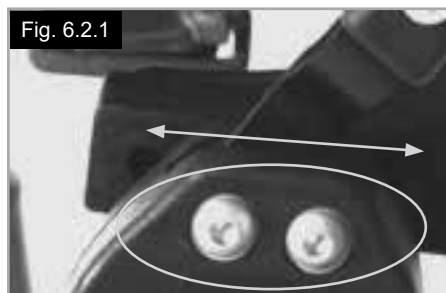
Braking power can be affected by incorrect fitting and adjustment of the wheel locks, as well as tyre pressure which is too low.

Your wheelchair is equipped with two wheel locks. They are applied directly against the tyres. To engage, press both wheel lock levers forward against the stops. To release the wheel, pull the levers back to their original positions.

Braking power will decrease with:

- Worn tyre tread
- Tyre pressure that is too low
- Wet tyres
- Improperly adjusted wheel locks.

The wheel locks have not been designed as wheel locks for a moving wheelchair. The wheel locks should therefore never be used to brake a moving wheelchair. Always use the handrims for braking. Make sure that the interval between the tyres and wheel locks complies with given specifications. To readjust, loosen screw and set the appropriate interval. Then re-tighten the screw (Fig. 6.2.1 and Fig. 6.2.2).



### CAUTION!

After each adjustment of the rear wheels, check the interval to the wheel locks and readjust if necessary.



## Wheel lock lever extension

The longer lever helps to minimise the effort needed to set the wheel locks. The wheel lock lever extension is screwed to the wheel locks. By raising this, it can be flipped forward (Fig. 6.2.3).

### ⚠ CAUTION!

**Mounting the wheel lock too close towards the wheel will result in a higher effort to operate. This might cause the wheel lock extension lever to break!**

### ⚠ WARNING!

When transferring to and from the wheelchair, if you lean on the extension lever of the wheel lock, the extension lever may break! Splashing water from tyres might cause the wheel lock to malfunction.

## Compact Wheel Lock

Compact wheel locks are underneath the seat sling and are operated by pulling the wheel locks towards the rear, in the direction of the tyre. For the wheel locks to operate correctly, they must be pulled fully against the stops, (Fig. 6.2.4)

### ⚠ CAUTION!

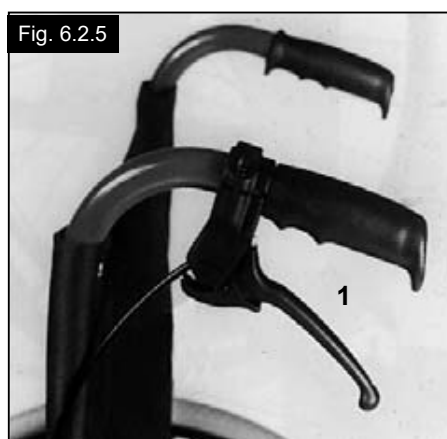
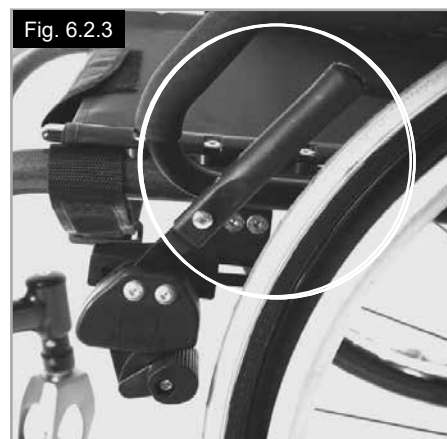
- Incorrect mounting of the wheel lock will result in a higher effort to operate. This might cause the brake lever extension for the wheel locks to break!
- The mounting bolts for the brakes must not be loosened and/or re-tightened.

## Drum Brakes

Drum brakes permit safe and convenient braking for an attendant. They can also be set with the aid of a locking lever (1) to prevent rolling. The lever must snap audibly into place. Drum brakes are not influenced by air pressure inside the tyres (Fig. 6.2.5).

### ⚠ WARNING!

- Drum brakes must only be adjusted by authorised dealers.
- Always operate the two drum brakes simultaneously to guarantee the control of the driving direction!
- Drum brakes can only be used as dynamic brakes to stop the wheelchair when driving.
- Always engage the wheel locks to secure the wheelchair during a short or long stop, or for transfer.



## 6.3 Foot rests

Various footboards are available on the Xenon<sup>2</sup>. These can be flipped up to make it easier to transfer to/from the chair. They are described individually.

### Lower leg lengths

By undoing the clamp screw (Fig. 6.3.1), you can adjust the lower leg length. Loosen the clamp screw, adjust the tube with the footboard to the desired position.

Tighten clamp screws again (see the page on torque). Ensure that the plastic push joint is located under the clamp screw in the correct position.

### WARNINGS!

- When transferring to and from the wheelchair, do not stand on the footplates. If you stand on the footplates, there is a risk of the wheelchair tipping forwards. When transferring to and from the wheelchair, make sure that your feet are firmly on the ground.

### Platform Footrests

The footplates can be flipped up to make it easier to transfer to and from the chair.

The footplates can also be tilted to six different angles relative to a level surface.

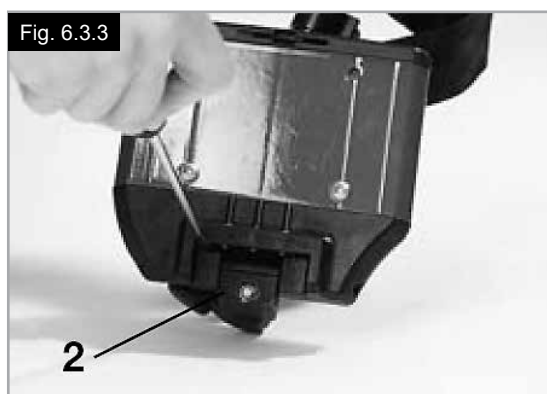
Tighten screw (1) firmly on the outer side.

By removing the clips (2) the footrest can be adjusted to three different positions toward both the front and rear. Loosen the adjustment screw (3) to change the horizontal position of the footboard.

For this purpose, the footboard must be flipped up, (Fig. 6.3.2 to Fig. 6.3.4).

When finished, make sure that all screws have been properly tightened (see the page on torque).

A minimum interval of 25mm from the ground should always be maintained.



### Width adjustment of footrests

If the footrest width needs to be adjusted, please undo the screw (1), set the desired width, by positioning 1, 2 or 3 spacers (2) from outer to the inner side and then refit the screws, (Fig. 6.3.5).

### Lightweight footrest

The footboard angle can be adjusted by loosening the screws (2). Side protection panels can be fitted to the footboard using the mounting holes (3). These prevent the feet slipping off accidentally, (Fig. 6.3.6). Make sure that after any adjustment work, all screws are tightened correctly (see the page on torque).

### Width adjustment

To adjust the width of the footboard open the screw (2). Then you can slide in and out the tubes in the holder to adjust the width of the footboard (Fig. 6.3.6).

Please make sure that the screws are tightened with the correct torque.

### Automatic folding footrest

The footrest angle can be adjusted by loosening the screws (1) and turning the footrest. When tightening, please note the torque measurements, (Fig.6.3.7).

Fig. 6.3.5

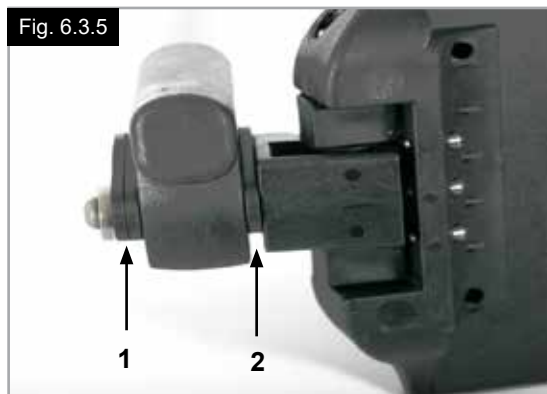


Fig. 6.3.6

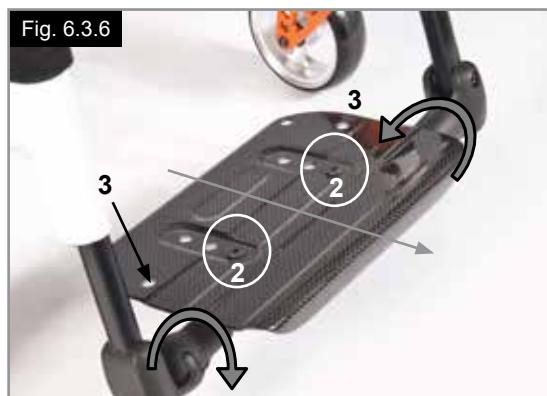


Fig. 6.3.7



## 6.4 Seating

### Seat Sling

The seat sling can be adjusted for tension by using several straps. To adjust the tension of the seat sling all straps have to be open. By pulling the straps the tension of the seat sling will be tightened, (Fig. 6.4.1)

**NOTE:** If the tension is too high, the cross brace will not be able to slide into the saddle.

### Adjusting the seat height:

#### Lightweight adapter

To change the seat height;

- Remove the rubber bungs (3), which are located in the groove on the rear side of the axle brackets.
- Undo the Allen screws (1) with an Allen key. Position the axle adapter (2) on the axle bracket (4), at the desired seat height (Fig. 6.4.2).
- For the lowest seat height, the axle adapter should be assembled upside down.
- To tighten the Allen screw (1) again, follow these two steps:
  - a) Tighten both Allen screws with a torque of 5 Nm.
  - b) Tighten both Allen screws again, with a torque of 8 Nm.
- Reinsert the rubber bungs.

#### Standard adapter

To change the seat height:

- Remove the rubber bungs (3), which are located in the groove on the rear side of the axle brackets.
- Undo the Allen screws (1) with an Allen key. Position the axle adapter (2) on the axle bracket (4), at the desired seat height (Fig. 6.4.3).
- To tighten the Allen screw (1) again, follow these two steps:
  - a) Tighten both Allen screws with a torque of 5 Nm.
  - b) Tighten both Allen screws again, with a torque of 8 Nm.
- Reinsert the rubber bungs.

#### NOTE:

- An adjustment to the castor angle may be necessary when adjusting the rear seat height.
- If the camber adapter in the axle adapter has been moved or twisted when adjusting the seat height, the camber and the track width must be checked and adjusted if necessary (see the "Wheel alignment" section).

#### CAUTION!

- Some of the screws that are used in manufacture have a thread lock (blue dot on the threads) and can be used up to three times, then they must be replaced by new screws. Alternatively, you can put Loctite™ 243 threadlock on the screws and re-fit them.
- When replacing the Allen screws (1) on the axle adapter, you **MUST** use Loctite™ 243 for thread locking.

Fig. 6.4.1

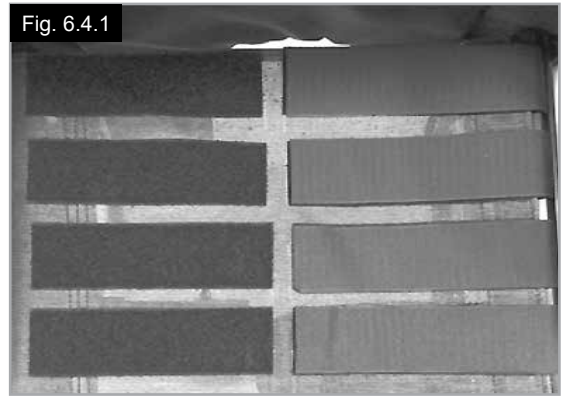


Fig. 6.4.2

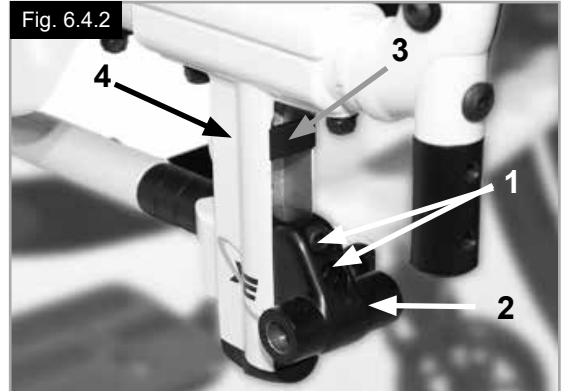
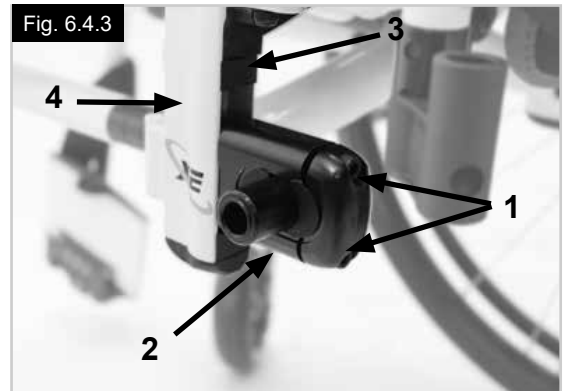


Fig. 6.4.3



## C.O.G, Setup

To carry out COG adjustment, there are basically 2 different options. The adjustment can be carried out straight on the axle adapter (standard adapter only). When doing this, the crescent-shaped spacers can be pushed from one side to the other. To make an adjustment in larger steps, you must change the position of the axle bracket on the frame.

### NOTE:

- Changes to the centre of gravity may lead to an unstable wheelchair which will tip over easily. In this case, anti-tip tubes are required.
- When determining the centre of gravity, it may be necessary to adjust the castor angle.

### Changing the position of the axle brackets on the frame

Using the quick-release axles, take the wheels out of the angle adapter.

Undo both screws (1) and remove these completely. Fit the axle stem in the desired position on the frame, put the screws back into the perforated plate and then re-tighten the screws. When moving the axle stem, also move the seat saddle on the frame, (change the axle stem and the seat saddle). Make sure that the left and right sides are fitted in the same positions. Use the specified torque of 8 Nm to tighten the screws (Fig. 6.4.4 to Fig. 6.4.5).

### Adjusting the centre of gravity with the standard axle adapter

Additional adjustments can be carried out straight on the axle adapter (standard adapter only), and when doing this the crescent-shaped spacers can be positioned accordingly. There are 3 positions (Fig. 6.4.6 to Fig. 6.4.8).

Using the quick-release axles (4), take the wheels out of the axle plug / sleeve. Undo the Allen screws (1) with an Allen key. Remove the cover (2) of the axle adapter and position the crescent-shaped spacers (3) for the required centre of gravity. Put the cover back on.

To tighten the Allen screw (1) again, follow these two steps:

- Tighten both Allen screws with a torque of 5 Nm.
- Tighten both Allen screws again, with a torque of 8 Nm.

**NOTE:** If the camber adapter has been moved or twisted when adjusting the seat height, the wheel alignment and camber must be checked and adjusted if necessary (see the "Wheel alignment" section).

### ⚠ CAUTION!

- When replacing the Allen screws (1) on the axle adapter, you **MUST** use Loctite™ 243 for thread locking.

Fig. 6.4.4

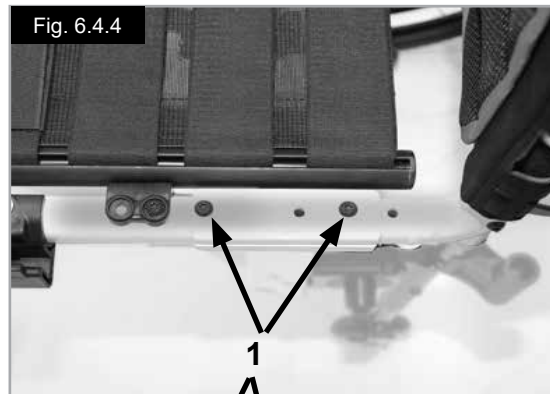


Fig. 6.4.5

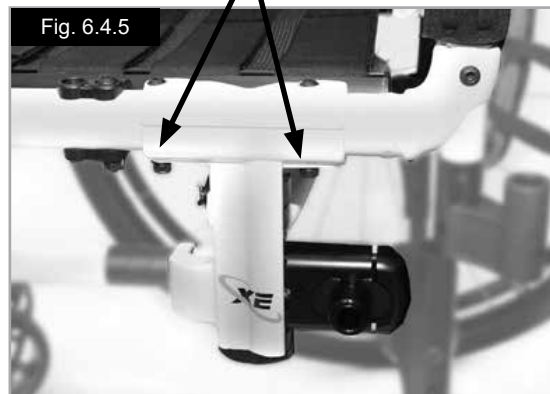


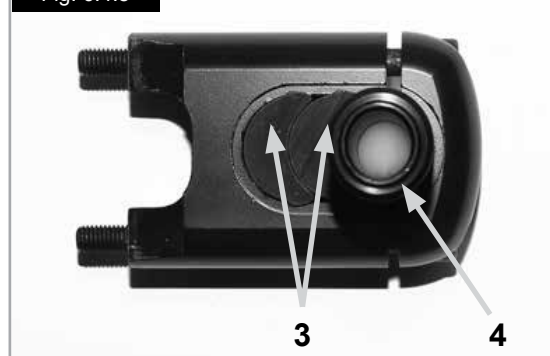
Fig. 6.4.6



Fig. 6.4.7



Fig. 6.4.8



## 6.5 Castors

### Setting the Castor, Castor adapter & Castor fork

If the wheelchair veers slightly to the right or left, or the castors flutter, it may be caused by one or more of the following:

- Forward and/or reverse wheel motion has not been set properly.
- The castor angle has not been adjusted properly.
- Castor and/or rear wheel tyre pressure is incorrect; the wheels do not turn smoothly.

The optimum adjustment of the castors is required so that the wheelchair runs in a straight line.

Castors should always be adjusted by an authorised dealer. The castor plates must be re-adjusted, and the wheel receiver must be checked every time the rear wheel position has been altered.

### Adjusting the castor

To ensure that both forks are set parallel, simply count the teeth visible on both sides. After setting the castor fork, the teeth will guarantee a secure position, allowing an adjustment of 16° in 2° increments (Fig. 6.5.1).

Use the flat side on the front of the castor fork to check for a right-angled position to the ground.

The patented design allows the castor fork to be turned, so that it can be reset at right-angles to the ground when the seat angle is changed.

### Setting the directional stability

Release the Allen screws (1) on the underside of the fork. You can then remove the screws (2). You can now turn the black socket (3) left or right.

Left – chair pulls to the left

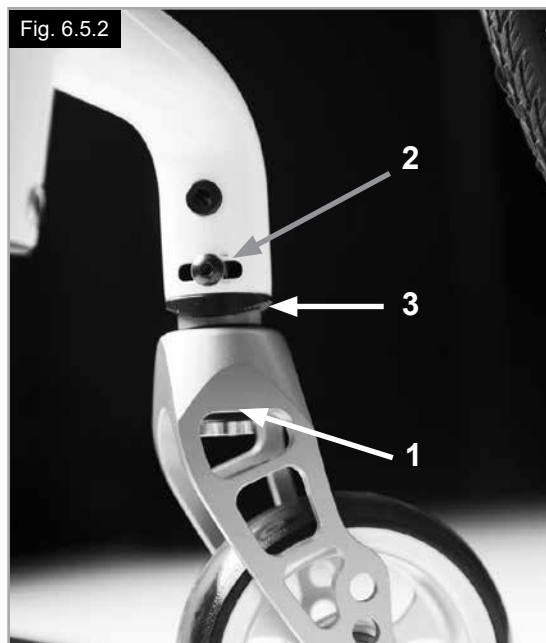
Right – chair pulls to the right

Then re-tighten the screw (2). Please set a 90° angle from the fork to the floor.

Then re-tighten the screw (1). (Fig. 6.5.2).

### CAUTION!

Some of the screws that are used in manufacture have a thread lock (blue dot on the threads) and can be used up to three times, then they must be replaced by new screws. Alternatively, you can put Loctite™ 243 threadlock on the screws and re-fit them.



## 6.6 Backrest

To adjust the back angle, please undo the Allen screw (1) and remove it. Set to the desired position and then refit the Allen screw in this position, and tighten to the specified torque. (Fig. 6.6.1).

### Folding backrest

To make it easier to transport the wheelchair, the top half of the backrest can be folded down.

To do this, press both levers (1) and fold the backrest down. When folding the backrest back up, please make sure that both sides are firmly interlocked (Fig. 6.6.2 to Fig. 6.6.3).

### WARNING!

- Risk of Injury: Be careful not to trap your fingers in the folding mechanism.

### Adjustable Back Sling

The adjustable back sling can be adjusted for tension by using several straps, (Fig. 6.6.4).

### Height-adjustable backrest

The backrest may be set to various back heights, in 25 mm steps (4 adjustment ranges: 250-300 mm, 300-400 mm, 400-450 mm and 450-475 mm).

Remove the side cushions of the upholstery, and if necessary, the belt at the back, which covers the screws.

Release the screw (1) and set the backrest to the desired height. Then tighten the screws again (Fig. 6.6.5).

See the page on torque.

### CAUTION!

Please take into account the altered centre of gravity when setting the angle of the backrest.

## 6.7 Headrests

The headrest (Fig. 6.7.1) can be raised and moved horizontally both forwards and backwards.

To do this, loosen the screw (1, 2 or 3).

Now you can adjust to the desired position. Tighten screws again (see the page on torque).

Fig. 6.6.1

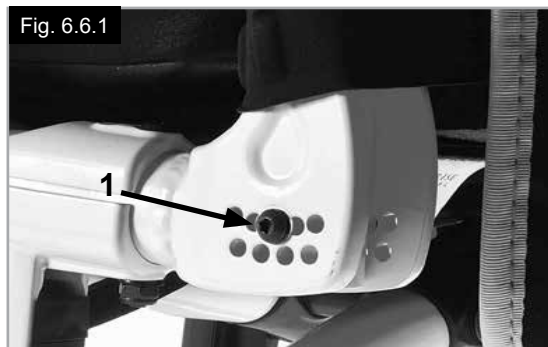


Fig. 6.6.2



Fig. 6.6.3



Fig. 6.6.4



Fig. 6.6.5

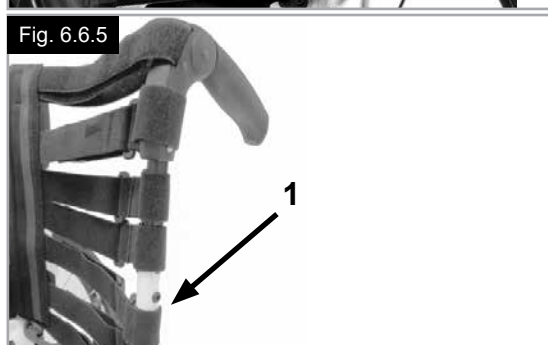


Fig. 6.7.1



## 6.8 Wheel Alignment

### Adjusting the wheel alignment

**NOTE:** To achieve the very best movement, the rear wheels must be adjusted to their optimum position, which means correctly adjusting the wheel alignment. To do this, measure the distance between both wheels front and rear to ensure that they are parallel to one another. The difference between both measurements should not exceed 5 mm. The parallel setting can be adjusted by loosening the screws (1) and rotating the axle adapter (3).

When finished, make sure that all screws have been properly tightened, (Fig. 6.8.1 to Fig. 6.8.2). Re-tighten the Allen screws with a torque of 8 Nm.

#### **WARNING!**

Be careful, there is a risk of tipping when adjusting the centre of gravity of the seat!

### Adjusting the rear wheelbase width

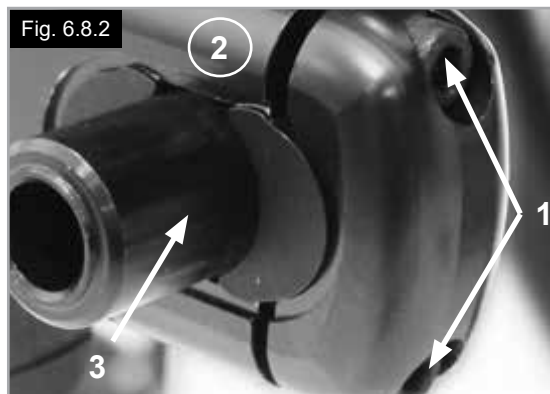
The rear wheelbase is defined as the distance between the upper side of the rear wheels and the backrest tubes and is factory set (125 mm). This must be increased if more space is to be created between the tyres and the optional height-adjustable armrests.

To adjust the rear wheelbase:

- Move the camber adapter (3) telescopically into or out of the axle adapter (2).
- Undo the Allen screw (1) on the rear of the axle adapter.
- Move the axle adapter (3) in or out, until the desired wheelbase is achieved.
- To tighten the Allen screw (1) again, follow these two steps:
  - a) Tighten both Allen screws with a torque of 5 Nm.
  - b) Tighten both Allen screws again, with a torque of 8 Nm.
- Repeat the procedure on the right side of the wheelchair and set the same gap on the left side (Fig. 6.8.1 to 6.8.2).

#### **CAUTION!**

- When adjusting the rear wheelbase, set first one wheel and then the other.
- If the camber adapter has been moved or twisted when adjusting the seat height, the wheel alignment must be checked and adjusted if necessary (see the "Wheel alignment" section).
- When replacing the Allen screws (1) on the axle adapter, you **MUST** use Loctite™ 243 for thread locking.





## 6.9 Sideguards

1. Fitting
  - a. push the outer armrest rails down into the receiver which is mounted on the wheelchair frame.
  - b. the armrest will automatically lock into place.
2. Height adjustment
  - a. turn the release lever for height adjustment (2) to the second stop point.
  - b. push the armpad up or down to reach the desired height.
  - c. set the lever back to the interlocked position against the armrest rails.
  - d. push the armpad (4) until the rails click into place securely.
3. Remove the armrest
  - a. operate the lever 3 and lift the whole arm.
4. Insert armrest
  - a. put the armrest back in the receiver, until the arm clicks into place.

### Mounting Components For The Armrest Receiver

#### Adjusting the armrest receiver

To tighten or loosen the fit of the outer armrest rails in the receiver:

1. Loosen the four set screws for the receiver (D) on the sides of the receiver.
2. Leave the armrest in the receiver (E) and push the receiver together, until the desired adjustment is achieved.
3. Tighten the four screws (D). (144 in-lbs, 16.3 Nm)

#### Position Adjustment

1. Loosen the two clamp screws (10) until the clamp is loose.
  2. Push the armrest receiver to the desired position.
  3. Tighten.
- (Fig. 6.9.1 to 6.9.4).

1. Outer armrest rails
2. Height adjustment of the release lever
3. Release lever
4. Armrest pad
5. Transfer bar
6. Sideguard
7. Receiver
8. Adjustment clamp
9. Parts to adjust the receiver
10. Clamp screws

Fig. 6.9.1

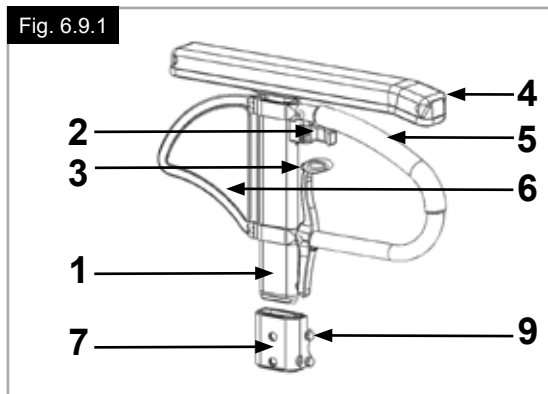


Fig. 6.9.2

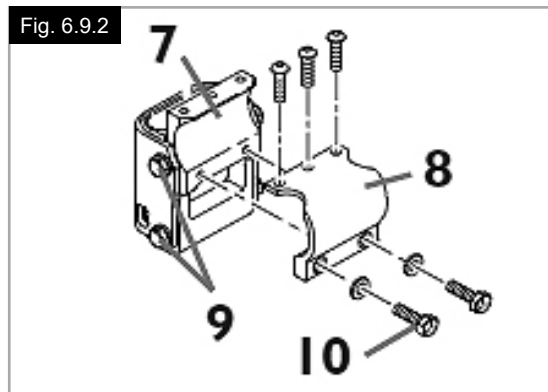


Fig. 6.9.3

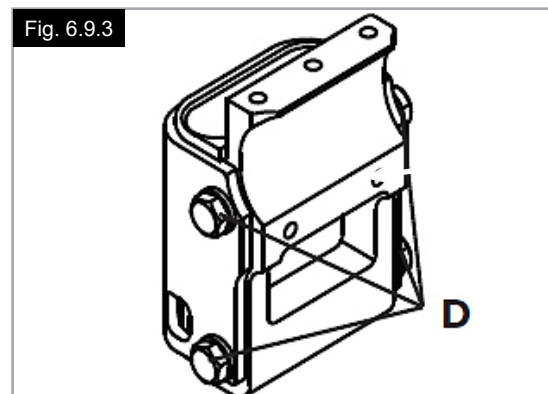
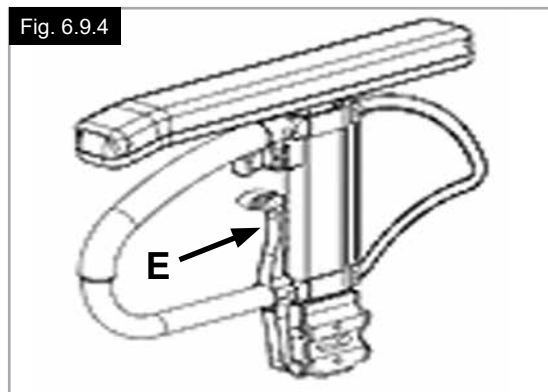


Fig. 6.9.4



## Sideguards (continued)

### Side-guard with clothes protector

The clothes protector prevents clothes getting dirty from spray water, (Fig. 6.9.5).

You can set the position in relation to the rear wheel by moving the sideguard.

To do this, remove the screws (1 and 2).

After setting to the desired position, re-tighten the screws (see the page on torque).

#### **WARNING!**

Neither the sideguards nor the armrests are to be used for lifting or carrying the wheelchair.

## 6.10 Push handles

### Height-adjustable push handles

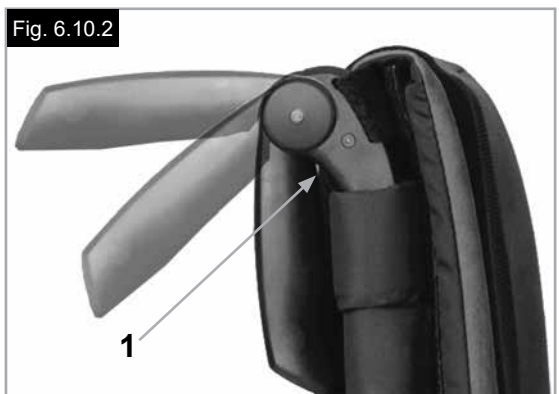
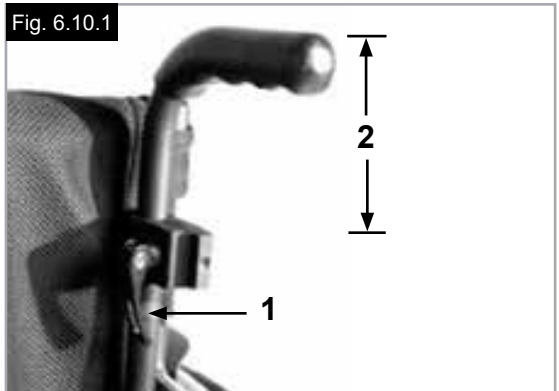
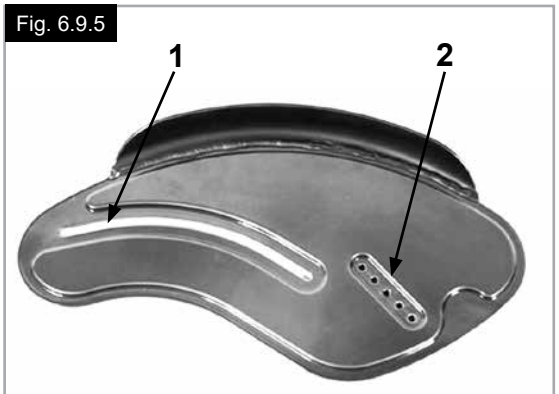
These handles are secured with pins to prevent them from sliding out unintentionally. By releasing the tension lever (1) the height of the push handles (2) can be set individually. If the lever is moved, listen to make sure that it clicks into place. The push handle can easily be set to the desired position. The nut on the tension lever determines how tightly the push handles are clamped into place. If the nut is loose after adjusting the tension lever, the push handle will also be too loose. Turn the push handle from side to side before use to make sure that it is clamped into place securely. After adjusting handle height, always clamp the tension lever (1) securely into place. If the lever is not secure, injuries could result when ascending stairs. (Fig. 6.10.1).

#### **CAUTION!**

If the height-adjustable push handles are not fitted properly, there is a risk that these will develop "play" or that they move out of position. Please make sure that the relevant screws are tightened correctly.

### Folding push-handles

If the folding push handles are not required, they can be flipped downwards by pushing the button (1). When they are required again, flip the push handles up, until they click into place. (Fig. 6.10.2).



## 6.11 Crutch holder

### Crutch Holder

This device permits crutches to be transported directly on a wheelchair. It has a Velcro loop to fasten crutches or other aids (Fig. 6.11.1).

#### **WARNING!**

Never try to use or even remove the crutches or other aids while moving.



## 6.12 Anti tips

#### **WARNING!**

Sunrise Medical recommends anti-tip tubes are fitted for all chairs.

When fitting anti-tip tubes, use a torque of 7 Nm.

Anti-tip tubes prevent the wheelchair from tipping backwards, providing additional safety for new users and for users familiarising themselves with the operation of the wheelchair.

### Plug in Type

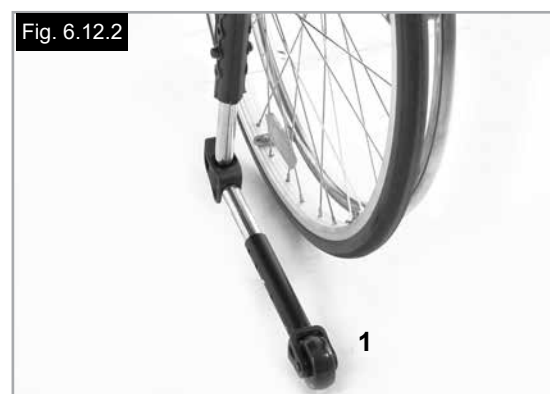
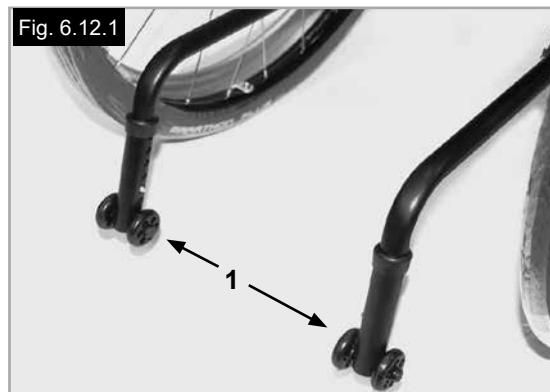
#### Slotting the anti-tip tubes into the clamp

- Press the rear button on the adapter for the anti-tip tube in such a way that both release pins are pulled inwards.
- Slot the anti-tip tubes (1) into the anti-tip tube adaptor.
- Rotate the anti-tip tubes downwards, until the release pin clicks into place in the clamp.
- Fit the second anti-tip tube in the same way.

#### Adjusting Anti-Tip Tubes

To achieve the correct ground clearance of approx. 1" to 2" (25 mm to 50 mm), the anti-tip tubes must be raised or lowered.

- Push the release lever for the anti-tip tube in such a way that both release pins are pulled inwards.
- Move the inner tube upwards or downwards in the height-adjustment holes.
- Release the button.
- Fit the second anti-tip tube in the same way.
- Both wheels should be at the same height. (Fig. 6.12.1).



### Swing-away Type

Push down on the top of the anti-tip tube, (1), to bring them into position, (Fig. 6.12.2).

A 30 - 50 mm gap should be maintained between the anti tip wheels and the ground.

The anti-tips can also be swung into a forwards position. The anti-tips must always be in the forward position when negotiating large obstacles, (such as kerbs), to prevent them from interfering with the manoeuvre.

#### **DANGER!**

If the anti-tip tubes are not fitted, or have been fitted incorrectly, there is a risk of tipping over and of injury.

## 6.13 Stabilizing Bar

### Folding stabilising bar

This bar is used to stabilize the backrest. To be able to fold the wheelchair, the release lever must be pushed inwards (Fig. 6.13.1) or released and the stabilising must be flipped downwards.

When unfolding the wheelchair, please make sure that the stabilising bar is locked into position.

## 6.14 Transit Wheels

### Transit Wheels

Transit wheels should be used whenever your wheelchair would be too wide if the rear wheels were fitted (Fig. 6.14.1).

After the rear wheels have been removed with the aid of the quick-release axles, the transit wheels can immediately be used to continue riding, (Fig. 6.14.2).

The transit wheels are mounted so that they are approx. 30 mm above the ground when not in use. They are thus out of the way when riding, transporting, or when tipping to pass over obstacles.

### DANGER!

- Without rear wheels, your wheelchair has no wheel locks.
- There is a risk of the chair tipping backwards.

Fig. 6.13.1



Fig. 6.14.1

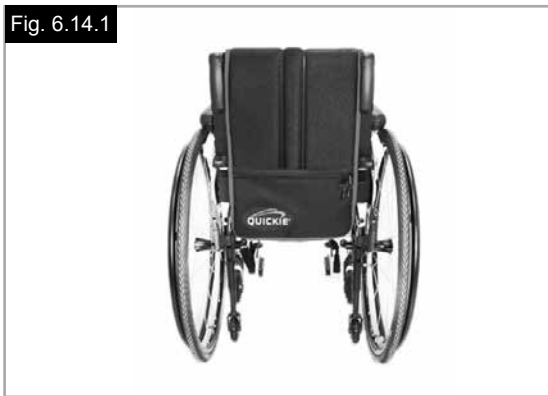


Fig. 6.14.2



## 6.15 Pelvic Restraint Belt

### WARNINGS!

- Before using the wheelchair make sure that the pelvic restraint belt is fitted.
- The lap belt must be checked on a daily basis to ensure it is free from any obstruction or adverse wear.
- Always make sure that the lap strap is correctly secured and adjusted prior to use.

### DANGER!

If the strap is too loose, this could cause the user of the wheelchair to slip down and risk suffocation or serious injury.

The pelvic restraint belt is fitted to the wheelchair as shown in Fig. 6.15.1 to Fig. 6.15.10. The seat belt comprises two halves. They are fitted using the existing seat stay retaining bolt fitted through the eyelet on the belt. The belt is routed under the rear of the side panel. (Fig. 6.15.1).

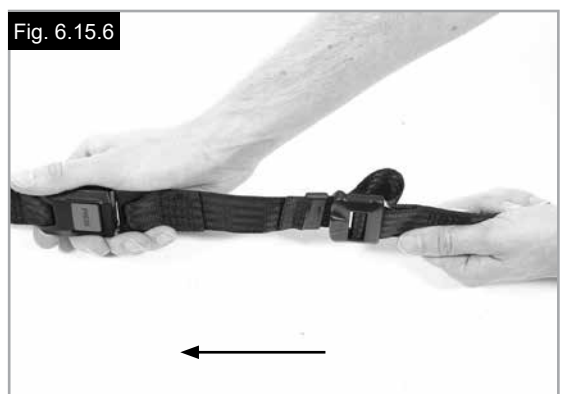
Adjust lap belt to suit the user's needs as follows:

Adjust the belt position so buckles are in the centre of the seat. (Fig. 6.15.2).

Feed free belt back through male buckle and slide adjusters.

Ensure that there is no excess of belt material looped at the female buckle end, (Fig. 6.15.3).

Feed free belt through slide adjusters and male buckle to provide more belt length, (Fig. 6.15.6).



## Pelvic restraint belt (continued)

When fastened check space between the pelvic restraint belt and user. When correctly adjusted it should not be possible to insert more than the flat of the hand between the pelvic restraint belt and the user, (Fig. 6.15.7).

The lap belt should be fixed so that the belt sits at an angle of 45 degrees across the user's pelvis. The user should be upright and be as far back as possible in the seat when correctly adjusted. The lap belt should not allow the user to slip down in the seat. (Fig. 6.15.8).

### To fasten buckle:

Firmly push male buckle into female buckle, (Fig. 6.15.9).


### To release buckle:

Press the RED button in the centre of the buckle then pull the two halves gently apart, (Fig. 6.15.10).

**NOTE:** If you have any questions on the use and operation of the pelvic restraint belt, the please contact your wheelchair dealer, carer or attendant.

### WARNINGS!

- The pelvic restraint belt must only be fitted or adjusted by an approved Sunrise Medical dealer / agent.
- The lap belt must be checked on a daily basis to ensure it is adjusted correctly and free from any obstruction or adverse wear.
- Sunrise Medical does not recommend the transportation of a person in a vehicle with the pelvic restraint belt as a restraint system.

 See the transit brochure from Sunrise Medical for further information on transportation.

### Maintenance:

Check lap belt and securing components at regular intervals for any sign of fraying or damage. Depending on usage, it may need to be replaced.

### WARNING!

The pelvic restraint belt should be adjusted to suit the end user as detailed above. Sunrise Medical also recommends that the length and fit of the belt is checked on a regular basis to reduce the risk of the end user inadvertently re-adjusting the belt to an excessive length.

Fig. 6.15.7



Fig. 6.15.8

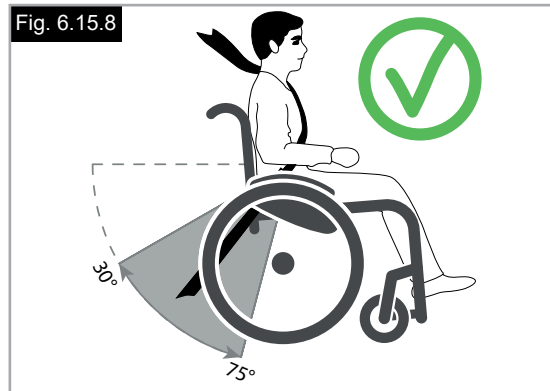


Fig. 6.15.9



Fig. 6.15.10



## 7.0 Daily Checks

### CAUTION!

As the user you will be the first person to notice any possible defects. We therefore recommend that before each use, you check the items in the following list:

- Check for correct tyre pressures
- Check that the wheel locks work correctly.
- Check that all removable parts are secure, e.g. armrests, footrests, quick-release axle etc.
- Check for visible damage e.g. on the frame, backrest, seat sling and back sling, wheels, footplate etc.

If there is any damage or malfunction, please contact your authorised dealer.

## 8.0 Tyres and mounting

### WARNING!

Always make sure that you maintain the correct tyre pressure (min. 3.5 bar), as this can have an effect on wheelchair performance.

If the tyre pressure is too low, rolling resistance will increase, requiring more effort to move the chair forward. Low tyre pressure also has a negative impact on manoeuvrability.

### WARNING!

If the tyre pressure is too high, the tyre could burst.

The correct pressure for a given tyre is printed on the surface of the tyre itself, (min. 3.5 bar).

Tyres can be mounted the same way as an ordinary bicycle tyre.

Before installing a new inner tube, you should always make sure that the base of the rim and the interior of the tyre are free of foreign objects.

Check the pressure after mounting or repairing a tyre. It is critical to your safety and to the wheelchair's performance that regulation air pressure be maintained and that tyres are in good condition.

## 9.0 Maintenance and care

- Check the tyre pressure every 4 weeks. Check all tyres for wear and damage.
- Check the wheel locks approximately every 4 weeks, to make sure that they are working properly, and are easy to use.
- Change tyres as you would an ordinary bicycle tyre.
- All of the joints that are critical to using your wheelchair safely are self-locking nuts. Please check every three months to make sure that all bolts are secure (see the section on torque). Safety nuts should only be used once and should be replaced after use.
- Please use only mild household cleansers when your wheelchair is dirty. Use only soap and water when cleaning the seat upholstery.
- If your wheelchair should ever get wet, please dry it afterwards.
- A small amount of sewing-machine oil should be applied to quick-release axles approximately every 8 weeks. Depending on the frequency and type of use, we recommend taking your wheelchair to your authorised dealer every 6 months to have it inspected by trained personnel.
- You should only use genuine parts approved by Sunrise Medical. Do not use parts from other manufacturers, that have not been by authorised by Sunrise Medical.

### CAUTION!

**Sand and sea water (or salt in the winter) can damage the bearings of the front and rear wheels. Clean the wheelchair thoroughly after exposure.**

The following parts can be removed and sent to the manufacturer / dealer for repair:

#### **Rear wheels-Armrest-Footrest holder-Anti-Tip tubes**



These components are available as spare parts. For further information, please see the spare parts catalogue.

## 9.0 Maintenance and Care continued

### Hygiene measures when being re-used:

Prior to the wheelchair being re-used, it must be carefully prepared.



#### WARNING!

All surfaces which come into contact with the user must be treated with a disinfection spray.

To do this, you must use a disinfectant from the DGHM list, e.g. Antifect Liquid (Schülke & Mayr) for rapid disinfection for medical products and medical devices, which must be disinfected quickly.

Please pay attention to the manufacturer's instructions of the disinfectant you are using.

In general, a complete disinfection cannot be guaranteed on seams. We therefore recommend that you dispose of seat and back slings to avoid microbacterial contamination with active agents according to § 6 infection protection law.

## 10.0 Trouble shooting

### Wheelchair pulls to one side

- Check tyre pressure
- Check to make sure wheel turns easily (bearings, axle)
- Check the castor angle
- Check to make sure both castors are making proper contact with the ground.

### Castors begin to wobble

- Check the castor angle
- Check to make sure all bolts are secure; tighten if necessary (see the section on torque)
- Check to make sure both castors are making proper contact with the ground.

### Wheelchair squeaks and rattles

- Check to make sure all bolts are secure; tighten if necessary (see the section on torque)
- Apply small amount of lubrication to spots where movable parts come into contact with one another

### Wheelchair begins to wobble

- Check angle at which castors are set
- Check tyre pressure
- Check to see if rear wheels are adjusted differently.

## 11.0 Disposal / Recycling of Materials

**NOTE:** If the wheelchair has been made available to you as part of a charity or medical loans scheme, then it may not belong to you. If it is no longer required, then follow the instructions to return it as given by the organisation that made the wheelchair available to you.

In the following section, there is a description of the materials used on the wheelchair, in view of the disposal or recycling of the wheelchair and its packaging. There may also be special local regulations in force with regard to disposal or recycling, these must be taken into account when disposing of your wheelchair. (This can include the cleaning or decontamination of the wheelchair prior to disposal).

**Aluminium:** Castor forks, wheels, sideguards for the chassis, armrest frame, footrest, push handles

**Carbon fibre:** Frame tubes, axles, axle brackets, back tubes.

**Steel:** Fixing points, quick-release axle.

**Plastic:** Handles, tube stoppers, castors, footplates, armpads and tyres.

**Packaging:** Plastic bags made of soft polyethylene, cardboard.

**Upholstery:** Polyester fabric with PVC coating and highly-flammable foam.

Disposal or recycling should be done through a licensed agent or authorised place of disposal. Please contact your local waste disposal company for details relating to the disposal of carbon fibre components. Alternatively your wheelchair may be returned to your dealer for disposal.

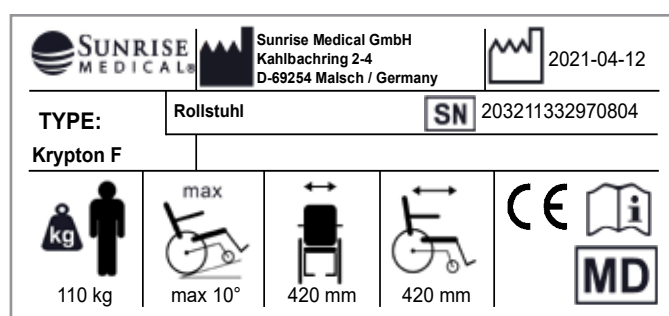




## 12.0 Name Plate

The nameplate is located on either the cross-tube assembly or the transverse frame tube, as well as on a label in the owner's manual. The nameplate indicates the exact model designation and other technical specifications. Please provide the following pieces of information whenever you have to order replacement parts or to file a claim:

- Serial number
- Order number
- Month/Year



<b>Krypton F</b>	Product Name/SKU Number.
	Maximum safe slope with anti-tip tubes fitted, Depends on wheelchair setting, posture and physical capabilities of the user.
	Seat width.
	Seat depth.
	Load Maximum.
	CE Mark.
	User's Guide.
	Date of manufacture.
	Serial number.
	This symbol means Medical Device.
	Manufacturer's address.
<b>ISO 7176-19:2008</b>	Crash tested according to ISO 7176-19:2008.

## 13.0 Technical Data

### Total width:

- With standard wheels including handrims, close mount:
- in combination with aluminium sideguard:
  - SW + 170 mm
  - in combination with plastic clothes protector:
  - SW + 190 mm
  - The overall width is reduced by 20 mm, with extra-narrow hand rim fitting.
  - With standard wheels incl. handrims and a camber of 4°: SW + 250 mm

### Overall length:

910 mm with SD 480 mm

### Total height:

1120 mm with BH 450 mm

### Weight in kg:

- Overall from 8.3 kg
- Transportation (without footrest, wheels, sideguard) 5.8 kg
- Sideguard (unit) 1.3 kg
- Wheels (unit) 2.2 kg

### Max. Load

Krypton F up to 110 kg.

### Seat heights:

The choice of frames, forks and castors as well as the size of the rear wheel (610mm (24")), (635mm (25")); determines what seat heights are possible.

### The wheelchair conforms to the following standards:

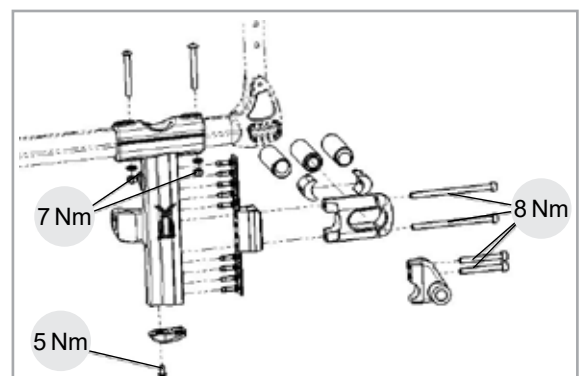
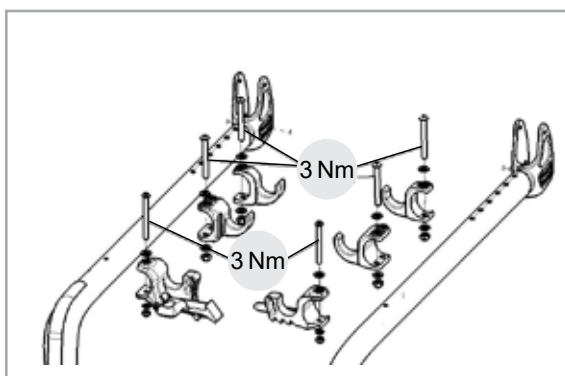
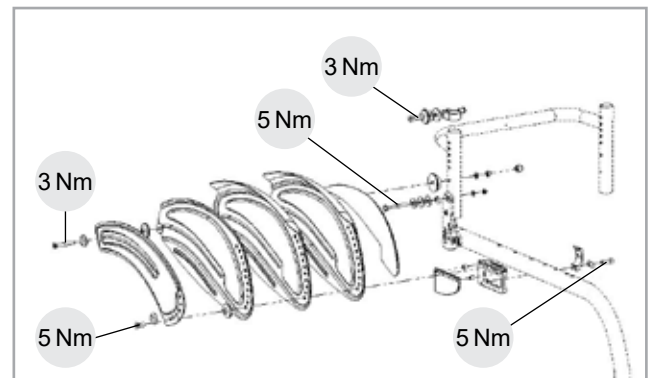
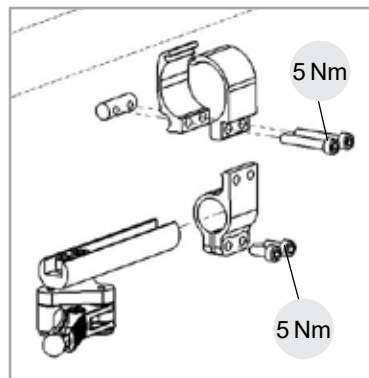
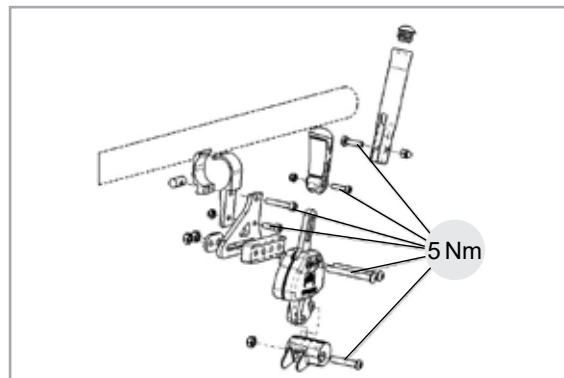
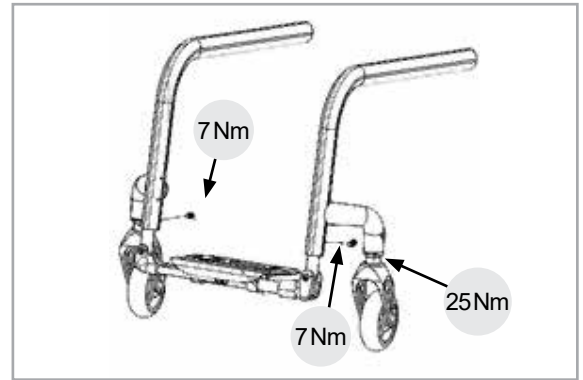
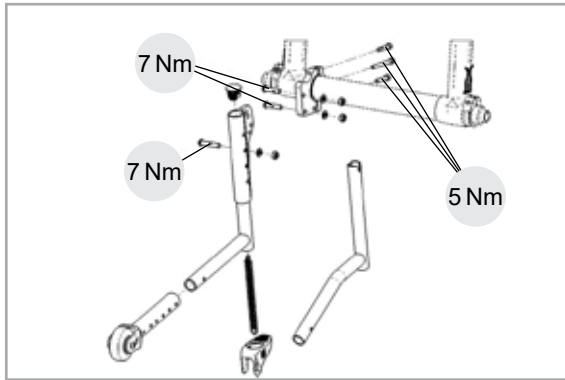
1. Requirements and test methods for static, impact and fatigue strengths (ISO 7176-8)
2. Flammability resistance of upholstered parts in accordance with ISO 7176-16 (EN 1021-1/2)



M5 = 5,0 Nm  
M6 = 7,0 Nm  
M8 = 10,0 Nm



Nm



### ⚠ ATTENTION !

Certaines des vis utilisées au cours de la fabrication sont dotées de frein-filet (point bleu sur le filetage) et peuvent être utilisées au maximum trois fois, après quoi il convient de les remplacer par des vis neuves. Vous pouvez également appliquer un adhésif frein-filet Loctite™ 243 sur les vis avant de les réutiliser.

### Chère cliente, cher client,

Vous avez choisi un produit de SUNRISE MEDICAL de grande qualité. Nous nous en réjouissons.

Ce manuel d'utilisation vous fournira de nombreux conseils et suggestions de sorte que votre produit deviendra pour vous un partenaire familier digne de confiance.

Pour Sunrise Medical, être proche du client est une priorité. C'est pourquoi, nous tenons à vous tenir informé de toutes nos nouveautés, actuelles et à venir. Être proche de nos clients signifie, assurer un service rapide, avec le moins de formalités administratives possible et entretenir une bonne relation avec eux. Que vous souhaitiez commander des pièces de rechange ou des accessoires, ou encore poser des questions concernant votre fauteuil, nous sommes à votre service.

Notre objectif est que vous soyez satisfait de nos services. Chez Sunrise Medical, nous travaillons en permanence au développement de nos produits. Ainsi, des modifications quant à la forme, à la technique et à l'équipement peuvent être apportées à notre gamme de produits. Aucune réclamation ne pourra donc être adressée au sujet des informations et illustrations de ce manuel d'utilisation.

**Le système de gestion de SUNRISE MEDICAL est certifié EN ISO 9001, ISO 13485 et ISO 14001.**

**CE** En sa qualité de fabricant, SUNRISE MEDICAL, déclare que les fauteuils légers sont conformes au règlement sur les dispositifs médicaux (2017/745).

### REMARQUE :

#### Conseil d'utilisation générale.

Le non-respect des présentes instructions peut causer des blessures physiques, l'endommagement du matériel ou la dégradation de l'environnement.

Avis aux utilisateurs et/ou patients : tout incident grave survenu en relation avec le dispositif doit être signalé au fabricant et à l'autorité compétente de l'État membre dans lequel l'utilisateur et/ou le patient est établi.

### Adaptations spéciales pour B4Me

Afin de vous assurer que votre produit B4Me fonctionne de manière performante comme prévu par le fabricant, Sunrise Medical vous recommande vivement de lire et de comprendre toutes les informations utilisateur fournies avec votre produit B4Me avant de l'utiliser pour la première fois.

Sunrise Medical recommande également que les informations utilisateur ne soient pas jetées après leur lecture, mais qu'elles soient conservées en toute sécurité afin d'être consultées ultérieurement.

### Combinaison de dispositifs médicaux

Il est possible de combiner le présent dispositif médical avec un ou plusieurs autres dispositifs ou produits. Vous trouverez sur [www.Sunrisemedical.fr](http://www.Sunrisemedical.fr) toutes les informations utiles sur les combinaisons possibles. Toutes les combinaisons présentées ont été validées et sont conformes aux exigences générales en matière de sécurité et de performances énoncées dans annexe I No. 14.1 du règlement 2017/745 relatif aux dispositifs médicaux.

Vous trouverez des conseils sur la combinaison, relatifs par exemple au montage, sur [www.SunriseMedical.fr](http://www.SunriseMedical.fr)

Adressez-vous à notre service après-vente SUNRISE MEDICAL, compétent et agréé, pour toute question concernant l'utilisation, la maintenance ou la sécurité de votre fauteuil roulant.

S'il n'y a aucun revendeur près de chez vous ou si vous avez des questions, contactez-nous par courrier ou par téléphone à l'adresse suivante.

**Sunrise Medical S.A.S**  
**ZAC de la Vrillonnerie**  
**17 Rue Mickaël Faraday**  
**37170 Chambray-Lès-Tours**  
**Tel : +33 (0) 247554400**  
**Fax : +30 (0) 247554403**  
**[www.sunrisemedical.fr](http://www.sunrisemedical.fr)**



### IMPORTANT :

N'UTILISEZ PAS VOTRE FAUTEUIL AVANT D'AVOIR LU ET COMPRIS CE MANUEL.

## Utilisation

Les fauteuils roulants sont exclusivement destinés aux adultes ou aux enfants dans l'incapacité de marcher ou à mobilité restreinte et pour leur propre usage, qu'ils soient capables de faire avancer leur fauteuil seuls ou qu'ils soient poussés par une tierce personne (un accompagnateur), à leur domicile et à l'extérieur.

**La charge maximale (à savoir le poids de l'utilisateur et des accessoires éventuellement embarqués) est indiquée sur la plaque signalétique apposée sur le croisillon ou sur la barre transversale, en dessous du siège.**

La garantie n'est valable que si le produit est utilisé dans les conditions spécifiées et pour l'usage pour lequel il est prévu.

La durée de vie prévue pour ce fauteuil est de cinq années.

SEULES LES PIÈCES STANDARD et les pièces officiellement autorisées par Sunrise Medical peuvent être utilisées.

Les éléments porteurs du fauteuil sont fabriqués en carbone (désignation exacte : plastique renforcé par fibres de carbone, ou CFRP). La fibre de carbone est un matériau de grande résistance utilisé pour les applications exigeant une force portante élevée avec un minimum de poids.

Nos composants en carbone sont fabriqués manuellement - les irrégularités dans le tissage, les inégalités à la surface ou les petites poches d'air sont purement visuelles et n'ont aucune incidence sur la stabilité du matériau.

Le carbone possède des propriétés différentes de celles du métal ou autres plastiques, et il convient d'en tenir compte lors de l'utilisation normale de ce matériau.

### ATTENTION !

Le carbone peut être endommagé par la surcharge (impacts ou coups d'une puissance inhabituelle, tels que : chute, basculement ou renversement du fauteuil.) La surcharge peut endommager les fibres de carbones ou entraîner le délaminage (séparation des couches de fibres ou décollement entre les fibres et la résine). Souvent, cette dégradation, qui n'est pas décelée visuellement, peut réduire la force portante ou briser des composants, dans des cas extrêmes.

### DANGER !

- Pour des raisons de sécurité, en cas d'accident ou de chute du fauteuil, cesser immédiatement l'utilisation et le renvoyer à Sunrise Medical pour le faire inspecter.
- Inspecter régulièrement le fauteuil afin de déceler tout signe d'endommagement (fissures, décoloration, etc.).
- Si la surface des composants en carbone est endommagée (entailles ou rayures plus profondes que la couche de vernis), renvoyer le fauteuil à Sunrise Medical pour le faire inspecter.

- Durant le transport (en particulier le transport aérien), s'assurer que le fauteuil n'entre pas en contact avec d'autres bagages. Les bagages ne doivent en aucun cas être posés sur le fauteuil. S'assurer que le fauteuil est fermement maintenu et ne risque pas de glisser.
- Prêter une attention particulière aux bruits de grincement pendant l'utilisation du fauteuil, indiquant la présence d'une anomalie de la structure des fibres. Le cas échéant, renvoyer le fauteuil à Sunrise Medical pour le faire inspecter.
- Remplacer immédiatement les composants endommagés - ils ne peuvent être réparés.
- L'utilisation d'accessoires de fabricants tiers, comme les handbikes, les roues avant ou tout autre accessoire non standard, n'est pas autorisée.
- Ne pas dépasser le couple de serrage indiqué pour les vis et les brides.
- Ne jamais fixer d'extension à l'aide de vis ou de brides.
- Ne jamais modifier mécaniquement les composants en carbone et ne jamais les percer.
- Ne jamais exposer le fauteuil à des températures élevées (comme les véhicules garés au soleil) et ne jamais le placer à proximité de sources de chaleur.
- Nettoyer les composants en carbone exclusivement à l'aide d'un chiffon humide avec de l'eau tiède ou froide, avec éventuellement un peu de détergent, si besoin est.
- Ne jamais utiliser des solvants ou nettoyants à base de solvant, de l'alcool ou de l'acétone. Ne pas utiliser de produits de lustrage ou de nettoyants abrasifs.

## Champ d'application.

### Indications

De par la diversité des options de montage et sa conception modulaire, ce fauteuil convient pour les personnes dans l'incapacité de marcher ou à mobilité restreinte, suite à :

- Une paralysie
- La perte d'un membre (amputation de la jambe)
- La difformité d'un membre
- Des contractures/blessures aux articulations
- Pour les maladies telles que les déficiences cardiaques et circulatoires, la perturbation de l'équilibre ou la cachexie, les profils de maladies neurologiques, la dystrophie musculaire, l'hémiplégie ainsi que pour les personnes âgées qui ont encore de la force dans le haut du corps.

### Contre-indications





Le fauteuil roulant ne peut être utilisé sans accompagnateur dans les cas suivants :

- Trouble de la perception
- Déséquilibre
- Perte des deux bras, sans le soutien d'un soignant
- Contracture articulaire ou dommages articulaires au niveau des deux bras
- Incapacité à s'asseoir

Sélectionner le bon fauteuil nécessite de prendre en compte des éléments tels que la taille de l'utilisateur, son poids, sa constitution physique et psychologique, son âge, son mode de vie et son environnement.

Avant-propos	35
Utilisation	36
1.0 Définitions	37
2.0 Consignes générales de sécurité et limites de conduite	38
3.0 Garantie	41
4.0 Manipulation	42
5.0 Roues à déverrouillage rapide	43
6.0 Options	43
6.1 Leviers de basculement	43
6.2 Freins	43
6.3 Repose-pieds	45
6.4 Assise	47
6.5 Roues avant	49
6.6 Dossier	50
6.7 Appui-têtes	50
6.8 Alignement des roues	51
6.9 Protège-vêtements	52
6.10 Poignées de poussée	53
6.11 Porte-canne	54
6.12 Roulettes anti-basculer	54
6.13 Barre de stabilisation	55
6.14 Roulettes de transit	55
6.15 Ceinture pelvienne	56
7.0 Contrôles quotidiens	58
8.0 Pneus et montage des pneus	58
9.0 Maintenance et entretien	58
10.0 Dépannage	59
11.0 Mise au rebut / Recyclage des matériaux	59
12.0 Plaque signalétique	60
13.0 Caractéristiques techniques	60

## Définitions des termes employés dans le manuel

Terme	Définition
 <b>DANGER !</b>	Indication d'un risque potentiel de blessures sérieuses ou de mort en cas de non-respect des consignes
 <b>AVERTISSEMENT !</b>	Indication d'un risque de blessure en cas de non-respect des consignes
 <b>ATTENTION !</b>	Indication que le matériel peut être endommagé si le conseil fourni n'est pas suivi
<b>REMARQUE :</b>	Conseil d'ordre général ou pratique recommandée
	Référence faite à d'autres manuels

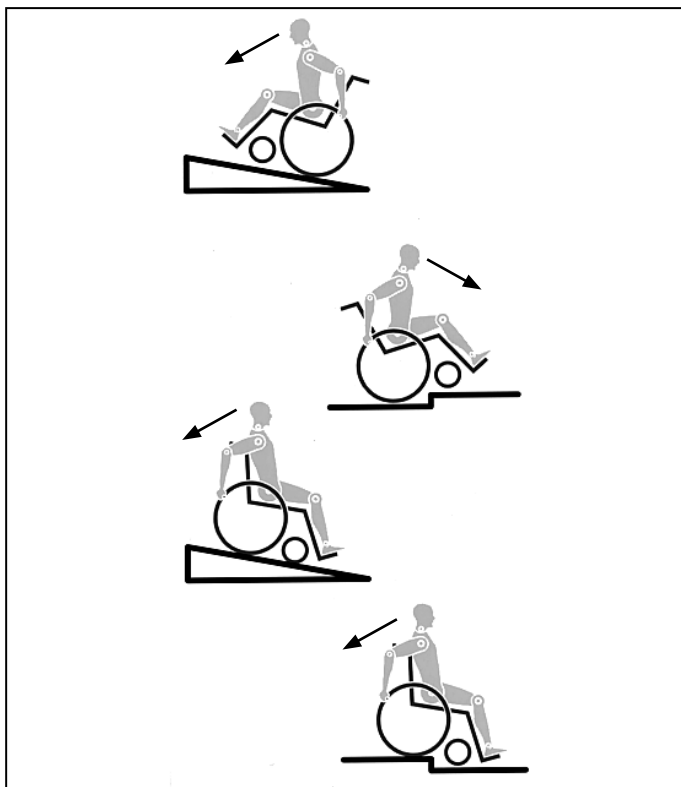
**REMARQUE :**

- Il est possible que les fauteuils illustrés et décrits dans le présent manuel ne soient pas complètement identiques au modèle que vous avez acheté. Toutefois, toutes les instructions fournies dans le présent manuel sont valables pour votre matériel, malgré d'éventuelles différences minimales.
- Pour obtenir de plus amples informations et consignes de sécurité, contacter un revendeur agréé.
- Le fabricant se réserve le droit de modifier sans préavis les poids, mesures et autres données techniques indiquées dans le présent manuel. Tous les chiffres, dimensions et capacités indiqués dans ce manuel sont approximatifs et ne constituent pas des caractéristiques.

**REMARQUE :**

- Veuillez consigner l'adresse et le numéro de téléphone du centre de service après-vente le plus proche dans le cadre ci-dessous.
- En cas de panne, contactez-le en lui donnant le plus d'informations possible sur la nature de la panne pour qu'il puisse vous aider efficacement et rapidement.

Signature et tampon du centre



La conception et la construction du fauteuil sont réalisées pour garantir une sécurité maximale. A l'échelle internationale, toutes les exigences applicables en matière de normes de sécurité sont respectées, voire dépassées. Toutefois, l'utilisateur peut se mettre en situation de danger en utilisant son fauteuil de façon incorrecte. Pour votre sécurité, vous devrez impérativement respecter les consignes suivantes.

Les altérations ou réglages non professionnels ou erronés augmentent le risque d'accidents. En tant qu'utilisateur de fauteuil roulant, vous participez à la circulation publique, sur routes ou trottoirs. Vous êtes par conséquent tenu de respecter le code de la route.

Lors de votre première utilisation du fauteuil, roulez prudemment. Familiarisez-vous avec l'utilisation de votre nouveau fauteuil roulant.

Avant chaque utilisation de votre fauteuil, contrôlez impérativement :

- Les axes à déverrouillage rapide des roues arrière
- Le Velcro du siège et des accoudoirs
- Les pneus, la pression et les freins.

Avant de modifier un quelconque réglage, il est important de lire le paragraphe correspondant du présent manuel d'utilisation.

Des nids de poule ou un sol irrégulier peuvent faire basculer le fauteuil roulant lors de la montée ou de la descente des pentes. Si une marche ou une pente est abordée de face, le corps doit être incliné vers l'avant.

**⚠ DANGER !**

- Ne dépassez JAMAIS la charge maximale de 110 kg combinée entre l'utilisateur et tout autre accessoire éventuellement embarqué. Veuillez noter les informations relatives au poids pour les options plus légères, lesquelles sont indiquées séparément. Toute charge supérieure pourrait endommager le fauteuil ou vous faire basculer, perdre le contrôle et entraîner de graves blessures pour vous et toute autre personne.

- Dans la pénombre, portez des vêtements clairs ou réfléchissants de sorte à être vu par les autres usagers de la route. Veillez à ce que les réflecteurs latéraux et arrière du fauteuil restent bien visibles. Il est également recommandé d'installer une lumière.
- Pour éviter les chutes et situations dangereuses, il est recommandé de vous entraîner et de vous familiariser avec votre nouveau fauteuil sur une surface plane offrant une bonne visibilité.
- Pour monter et descendre du fauteuil, ne prenez pas appui sur les palettes. Il convient au contraire de les rabattre et de les pivoter vers l'extérieur le plus possible. Placez-vous toujours le plus près possible de l'endroit où vous voulez vous asseoir.
- Utilisez toujours votre fauteuil de manière adéquate. Evitez par exemple de franchir des obstacles sans avoir préalablement ralenti (marche, bord de trottoir).
- Les freins d'immobilisation ne servent pas à ralentir le fauteuil. Ils empêchent votre fauteuil d'avancer involontairement. Quand vous vous tenez sur un terrain accidenté, utilisez impérativement vos freins d'immobilisation. Pensez toujours à actionner les deux freins simultanément, autrement votre fauteuil pourrait basculer.
- Changer le centre de gravité peut avoir un impact sur le comportement du fauteuil dont vous devez être conscient. Il est recommandé de vous entraîner, par exemple en pente ou lors du franchissement d'obstacles. Familiarisez-vous avec les différents comportements en présence d'un accompagnateur.
- Avec des réglages extrêmes (comme les roues arrière en position la plus avancée possible) et une posture inadéquate, le fauteuil risque de basculer, même sur une surface plane.
- Lorsque vous franchissez des côtes et des marches, penchez votre corps plus en avant.
- Lorsque vous descendez des côtes et des marches, penchez votre corps plus en arrière. Ne tentez jamais de monter ou de descendre une pente en diagonal.
- Evitez d'utiliser les escalators. En cas de chute, vous pourriez vous blesser gravement.
- N'utilisez pas le fauteuil sur des pentes de plus de 10° d'inclinaison. Le degré d'inclinaison maximum des pentes dépend de la configuration du fauteuil, des capacités de l'utilisateur et du style de conduite. Les capacités de l'utilisateur et son style de conduite ne pouvant être prédéfinis, le degré d'inclinaison maximum des pentes ne peut être déterminé. Il revient donc à l'utilisateur, assisté de son accompagnateur, de déterminer l'inclinaison maximale afin d'éviter tout risque de basculement. Il est vivement recommandé d'installer des roulettes anti-basculer pour les utilisateurs inexpérimentés.
- Des nids de poule ou un sol irrégulier peuvent faire basculer le fauteuil roulant lors de la montée ou de la descente des pentes.
- N'utilisez pas le fauteuil sur des terrains boueux ou verglacés. N'utilisez pas le fauteuil dans des zones interdites aux piétons.
- Pour éviter de vous blesser aux mains, ne placez pas vos doigts entre les rayons ou entre la roue arrière et le frein de la roue lorsque le fauteuil est en déplacement.

- Si vous utilisez une main courante métallique et freinez dans une longue pente ou pour réduire votre allure, le frottement peut chauffer la main courante et vous brûler les doigts.
- Monter ou descendre une pente latéralement augment le risque de voir le fauteuil basculer sur le côté.
- Ne montez et descendez les escaliers que si vous êtes accompagné. Des équipements à cet effet sont à votre disposition, comme les rampes d'accès et les ascenseurs. Utilisez-les. En l'absence de tels équipements, deux personnes sont nécessaires pour faire basculer le fauteuil et lui faire franchir les marches une à une en le poussant, et non pas en le soulevant. Il est déconseillé de procéder à de telles manœuvres dans les escaliers avec des utilisateurs de plus de 100 kg.
- En général, en présence de roulettes anti-bascule, il convient de les régler de sorte qu'elles ne puissent heurter les marches, car cela pourrait entraîner une grave chute. Remplacez ensuite les roulettes anti-bascule à leur position normale.
- L'accompagnateur doit toujours tenir le fauteuil par les parties fixes et non pas par les parties amovibles, comme le repose-pied ou la protection latérale.
- Ce fauteuil n'est pas prévu pour être utilisé pendant des séances de musculation et/ou l'utilisation d'haltères. Utilisez uniquement du matériel prévu à cet effet.
- Ne soulevez pas le fauteuil en l'attrapant par les tubes du dossier, ni par les poignées.
- Lors de l'utilisation d'une rampe d'accès, pensez à positionner les roulettes anti-bascule (le cas échéant) en dehors de la zone à risque.
- Immobilisez toujours votre fauteuil à l'aide des freins lorsqu'il se trouve sur les surfaces accidentées ou lorsque vous montez dessus ou en descendez.
- Selon le diamètre et le réglage des roues avant, ainsi que le centre de gravité du fauteuil, les roues avant peuvent se mettre à vibrer à mesure que la vitesse du fauteuil augmente. Les roues avant risquent alors de se bloquer et le fauteuil de basculer. Il est donc essentiel de régler correctement les roues avant (voir le chapitre "Roues avant"). Ne descendez pas une pente sans frein et déplacez-vous lentement. Il est recommandé aux utilisateurs inexpérimentés d'utiliser des roulettes anti-bascule.
- Les roulettes anti-bascule empêchent le fauteuil de basculer accidentellement vers l'arrière. En aucun cas, elles ne doivent remplacer les roulettes de transit et servir au transport d'une personne dans un fauteuil dont les roues arrière auraient été retirées.
- Si vous souhaitez atteindre un objet (placé devant, derrière ou latéralement par rapport au fauteuil), évitez de trop vous pencher afin de ne pas modifier le centre de gravité et risquer de faire basculer le fauteuil. La présence d'une charge supplémentaire (sac à dos ou objets similaires) sur les montants arrière du dossier peut avoir un impact sur la stabilité de votre fauteuil (surtout si le dossier est incliné en arrière) et peut faire basculer le fauteuil en arrière et entraîner des blessures.
- Les réglages de votre fauteuil, et plus particulièrement les réglages des composants relatifs à la sécurité, doivent être réalisés exclusivement par un revendeur agréé. Cette exigence concerne les freins d'immobilisation, les roulettes anti-bascule, l'angle d'inclinaison et la hauteur du dossier, la longueur de jambe inférieure, le centre de gravité, la ceinture sous-abdominale, le pincement et le carrossage des roues arrière, la hauteur du siège, ainsi que le pincement et la stabilité directionnelle de la fourche.
- N'équipez le fauteuil d'aucun dispositif électronique, dispositif de mobilité électrique ou mécanique, vélo à main ou tout autre dispositif non approuvé susceptible de modifier l'usage prévu du fauteuil ou sa structure.
- L'ajout de dispositifs médicaux supplémentaires nécessite l'approbation de Sunrise Medical.
- À noter que dans certaines configurations, le fauteuil peut dépasser la largeur de 700 mm. Si tel est le cas, certaines issues de secours peuvent ne pas permettre le passage du fauteuil. Par ailleurs, le déplacement à bord des transports publics peut être difficile, voire impossible.
- Pour les personnes amputées d'un ou des membres inférieurs, il est impératif d'utiliser les roulettes anti-bascule.
- Avant d'utiliser votre fauteuil, vérifiez la pression des pneus. Pour les roues arrière, la pression doit être au moins de 3,5 bars (350 kPa). La pression maximale est indiquée sur la jante des pneus. Le frein à manette à hauteur du genou ne fonctionne que si la pression des pneus est suffisante et si le réglage est correct (voir le chapitre sur les "Freins").
- Si les toiles du dossier et du siège sont abîmées, remplacez-les immédiatement.
- Soyez très vigilants avec les risques d'incendie, surtout avec les cigarettes allumées. Les toiles du dossier et du siège peuvent prendre feu.
- Si le fauteuil est exposé au soleil pendant une période prolongée, certaines parties du fauteuil (par ex. le châssis, les repose-jambes, les freins et le protège-vêtement) peuvent chauffer (>41°C).
- Vérifiez que les axes à déverrouillage rapide des roues arrière sont bien réglés et verrouillés. Si le bouton de l'axe à déverrouillage rapide n'est pas enfoncé, vous ne pouvez pas enlever la roue arrière.

## AVERTISSEMENT !

- L'efficacité du frein à manette au genou et des caractéristiques de conduite générales dépend de la pression des pneus. Le fauteuil sera considérablement plus léger et plus facile à manœuvrer si les pneus des roues arrière sont correctement gonflés et ont la même pression.
- Vérifiez la sculpture des pneus. N'oubliez pas que lorsque vous vous déplacez au milieu de la circulation, vous devez respecter toutes les réglementations relatives au code de la route.
- Faites attention de ne pas vous pincer les doigts lorsque vous procédez à des réglages du fauteuil.

## AVERTISSEMENT !

**RISQUE D'ÉTOUFFEMENT** – Ce fauteuil est composé de petites pièces qui, dans certaines conditions, peuvent présenter un risque d'étouffement pour les jeunes enfants.

Il est possible que les fauteuils illustrés et décrits dans le présent manuel ne soient pas complètement identiques au modèle que vous avez acheté. Toutefois, toutes les instructions fournies dans le présent manuel sont valables pour votre matériel, malgré d'éventuelles différences minimales.

Le fabricant se réserve le droit de modifier sans préavis les poids, mesures et autres données techniques indiquées dans le présent manuel. Tous les chiffres, dimensions et capacités indiqués dans ce manuel sont approximatifs et ne constituent pas des caractéristiques.

Sunrise Medical est certifié ISO 13485, la garantie d'une assurance-qualité dans les étapes de développement et de production de tous nos produits. Ce produit est conforme aux exigences des directives CE. Options ou accessoires représentés disponibles avec un supplément de prix.



#### **CELA N'AFPECTE EN AUCUN CAS VOS DROITS LEGAUX.**

La garantie de Sunrise Medical\* est détaillée dans les conditions de garantie suivantes.

#### **Conditions de garantie :**

1. Si une ou plusieurs pièces du fauteuil devaient être remplacées ou réparées suite à un vice de fabrication et/ou de matériel dans les 24 mois suivant la livraison au client, la ou les pièces seront remplacées ou réparées gratuitement. La garantie ne couvre que les vices de fabrication.
2. Pour faire jouer la garantie, veuillez contacter le service client Sunrise Medical afin de préciser la nature du problème. En cas d'utilisation du fauteuil dans une zone située en dehors du territoire du service après-vente (revendeur) Sunrise Medical, les réparations ou remplacements seront assurés par un autre service après-vente désigné par le fabricant. Le fauteuil doit être réparé par un service après-vente désigné par Sunrise Medical.
3. Toute pièce réparée ou échangée dans le cadre de la garantie est couverte par la garantie pour la période restante conformément au point 1.
4. Concernant les pièces détachées d'origine installées ultérieurement et au frais du client, celles-ci sont couvertes par une garantie de 12 mois (à compter de l'installation), conformément aux présentes conditions de garantie.
5. La garantie ne peut être actionnée si la réparation ou l'échange du fauteuil ou d'une pièce découle de l'un des cas de figure suivants :
  - a. L'usure normale, notamment celle des batteries, des accoudoirs, de la garniture, des pneus, des patins de frein, etc.
  - b. Les anomalies découlant de la surcharge du produit. La charge maximale d'utilisation est indiquée sur l'étiquette CE.
  - c. Le produit n'a pas été entretenu ou révisé conformément aux recommandations du fabricant, telles qu'indiquées dans le manuel d'utilisation et/ou les notices d'entretien.
  - d. Les accessoires utilisés ne sont pas des accessoires d'origine.
  - e. Le fauteuil roulant - ou l'une de ses pièces - a été endommagé suite à un mauvais entretien, à un accident ou à une utilisation inadéquate.
  - f. Des changements/modifications non conformes aux spécifications du fabricant ont été effectués sur le fauteuil ou des pièces.
  - g. Les réparations ont été effectuées avant d'en avoir informé le service client.
6. Cette garantie est soumise à la loi du pays d'achat du produit auprès de Sunrise Medical\*

\* Le lieu Sunrise Medical depuis lequel le produit a été acheté.

## 4.0 Manipulation

### Pliage du fauteuil

Commencez par retirer le coussin du fauteuil et relever la palette des repose-pieds. Attrapez la toile du siège ou les montant du siège (Fig. 4.1) en plaçant vos doigts au centre et tirez vers le haut, jusqu'à ce que la patte de fermeture du dossier s'enclenche (Fig. 4.2).

### Transport

Pour déplacer votre fauteuil, soulevez-le en l'attrapant par la partie frontale du croisillon et par les poignées.

### Dépliage du fauteuil

Actionnez vers le bas le levier de déverrouillage du pliage (Fig. 4.3) et écartez les deux parties du châssis. Appuyez ensuite sur les tubes de siège (voir figure). Le fauteuil roulant se déplie. Maintenant, pressez les tubes du siège dans les supports. Cette opération s'effectue plus facilement en basculant légèrement le fauteuil sur le côté. L'une des roues arrière est alors libérée et le fauteuil se déplie plus facilement. **Faites attention de ne pas vous coincer les doigts dans les tubes de traverse.** Remplacez le coussin du siège. (Fig. 4.4).

### Vous asseoir dans votre fauteuil par vous-même (Fig. 4.5)

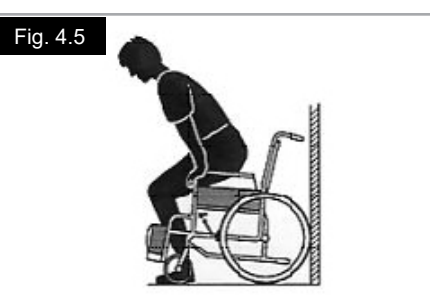
- Poussez le fauteuil roulant contre un mur ou contre un meuble solide ;
- Enclenchez les freins ;
- Relevez les palettes ;
- L'utilisateur peut s'installer dans le fauteuil ;
- Rabaissez les palettes, puis placez vos pieds devant les sangles talonnières.

### Sortir de votre fauteuil par vous-même (Fig. 4.6)

- Enclenchez les freins ;
- Relevez les palettes avec votre pied ;
- Posez une main sur l'accoudoir, penchez-vous légèrement vers l'avant de sorte à basculer le poids de votre corps vers l'avant du fauteuil, posez fermement les deux pieds au sol, l'un derrière l'autre, redressez-vous en poussant sur vos bras.

### AVERTISSEMENT !

- Pour monter ou descendre du fauteuil, ne prenez jamais appui sur les palettes, cela pourrait faire basculer le fauteuil vers l'avant.
- Lorsque vous montez ou descendez du fauteuil, posez fermement les deux pieds au sol.
- Lorsque vous montez ou descendez du fauteuil, vérifiez que les freins d'immobilisation sont bien serrés.



## 5.0 Roues à déverrouillage rapide

### Axes à déverrouillage rapide de la roue arrière

Les roues arrière doivent être munies d'axe à déverrouillage rapide. Les roues peuvent être démontées ou montées sans outils. Pour démonter une roue, appuyez sur le bouton à déverrouillage rapide et tirez la roue de l'axe. (Fig. 5.1).

### Axe à déverrouillage pour personnes tétraplégiques

Relevez le levier de déverrouillage (1). Retirez ensuite les axes à déverrouillage rapide et/ou les roues.

Après avoir replacé les roues/axes à déverrouillage rapide, abaissez le levier. Vérifiez toujours d'avoir bien fermé et verrouillé le mécanisme de déverrouillage avant de réutiliser le fauteuil (Fig. 5.2).

### ⚠ AVERTISSEMENT !

- Lors du montage, appuyez sur le bouton de l'axe à déverrouillage rapide et insérez l'axe dans le canon, tout en conservant le bouton pressé. Relâchez le bouton pour verrouiller l'axe. Le bouton d'arrêt doit revenir dans sa position de départ.
- Risque de blessure. Faites attention de ne pas vous prendre les doigts dans les roues quand elles tournent. Immobilisez les roues avant toute intervention.

## 6.0 Options

### 6.1 Leviers de basculement

Le levier de basculement permet à l'accompagnateur(-trice) de faire basculer le fauteuil pour franchir un obstacle. Placez votre pied sur le tube d'appui pour franchir un trottoir ou une marche, par exemple (Fig. 6.1.1).

### 6.2 Freins

### ⚠ ATTENTION !

La puissance de freinage peut être affectée par un mauvais montage ou réglage des freins, ainsi que par une pression trop faible des pneus.

Le fauteuil est équipé de deux freins d'immobilisation. Les freins agissent directement sur les pneus. Pour immobiliser votre fauteuil, abaissez les deux leviers de freinage jusqu'à la butée avant. Tirez le levier de freinage en arrière pour le relâcher.

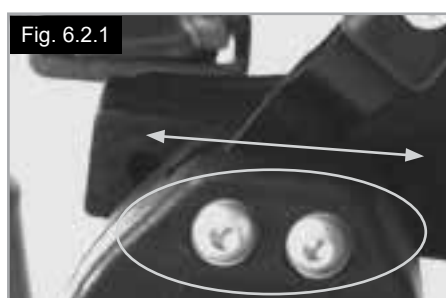
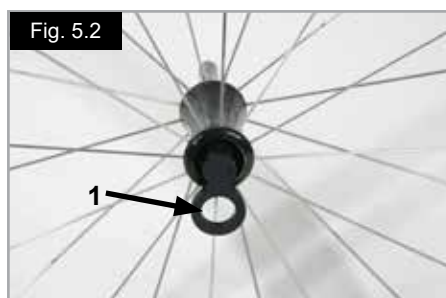
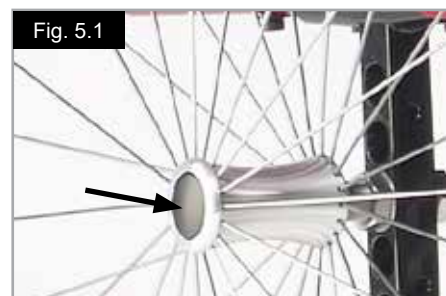
L'effet de freinage diminue quand :

- Les sculptures du pneu sont usées
- La pression des pneus est insuffisante
- Les pneus sont humides
- Le frein est mal réglé.

Les freins d'immobilisation ne sont pas destinés à arrêter un fauteuil en déplacement. N'actionnez pas les freins en marche. Freinez toujours à l'aide des mains courantes. Vérifiez que l'écart entre les pneus et les freins d'immobilisation est conforme aux valeurs spécifiées. Pour régler, dévissez la vis et réglez le bon intervalle. Resserez de nouveau la vis (Fig. 6.2.1 et Fig. 6.2.2).

### ⚠ ATTENTION !

Vérifiez le réglage des freins après chaque modification de la position de la roue arrière et refaites votre réglage, si nécessaire.



## Rallonge du levier de frein

La rallonge vous permet de déployer moins d'efforts pour actionner les freins.

La rallonge est directement vissée aux freins. En le levant, le levier pourra être rabattu vers l'avant (Fig. 6.2.3).

### ATTENTION !

**Plus les freins seront montés près de la roue, plus l'effort à fournir pour les actionner sera grand. Cela pourrait casser la rallonge du levier de frein.**

### AVERTISSEMENT !

Lorsque vous montez ou descendez du fauteuil, veillez à ne pas vous appuyer contre la rallonge du levier de frein. Elle pourrait se briser. Veillez à ne pas prendre appui sur la rallonge du levier lorsque vous montez ou descendez du fauteuil, car vous risqueriez de la casser !

## Freins compacts

Les freins compacts se trouvent sous la toile du siège. Pour les activer, il suffit de tirer les freins vers l'arrière, en direction du pneu. Pour fonctionner correctement, les freins compacts doivent être complètement tirés contre les butées, (Fig. 6.2.4).

### ATTENTION !

- Si le frein n'est pas correctement monté, vous devrez forcer pour l'actionner. Cela pourrait casser la rallonge du levier de frein !
- Les vis de montage des freins ne doivent pas être desserrées et/ou resserrées.

## Freins à tambour

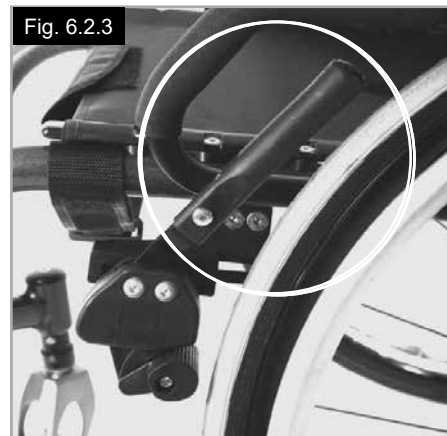
Les freins tambour permettent à l'accompagnateur de freiner en toute sécurité et de manière aisée.

Ils peuvent être également montés avec un levier de verrouillage (1) pour éviter qu'ils ne se desserrent accidentellement.

Vous devez entendre le clic du levier de blocage lors de son enclenchement. Le gonflage des pneus n'a aucune incidence sur les freins tambour (Fig. 6.2.5).

### AVERTISSEMENT !

- Ne confiez le réglage du frein à tambour au à un revendeur professionnel.
- Actionnez toujours les 2 freins à tambour simultanément pour garantir une direction de conduite contrôlée.
- Les freins tambour sont un moyen de freinage dynamique destiné exclusivement à immobiliser le fauteuil roulant durant son déplacement.
- Enclenchez toujours les freins d'immobilisation pour les arrêts de courte ou longue durée et lorsque vous montez ou descendez du fauteuil.



## 6.3 Repose-pieds

Il existe plusieurs types de palettes compatibles avec le fauteuil Xenon<sup>2</sup>. Ces palettes se rabattent pour monter et descendre plus facilement du fauteuil. Elles sont décrites ci-dessous.

### Longueur de la jambe inférieure

En enlevant les vis de réglage (Fig. 6.3.1), vous pouvez régler la longueur de jambe inférieure. Dévissez la vis de réglage, puis réglez la palette à la hauteur désirée sur le montant. Revissez les vis de réglage (Voir la section sur la force de torsion). Vérifiez que le joint en plastique est bien positionné sous la vis de réglage.

### AVERTISSEMENTS !

- Pour monter ou descendre du fauteuil, ne prenez jamais appui sur les palettes, cela pourrait faire basculer le fauteuil vers l'avant. Lorsque vous montez ou descendez du fauteuil, posez fermement les deux pieds au sol.

### Repose-pieds palette monobloc

La palette se rabat pour monter et descendre plus facilement du fauteuil.

Elle s'incline également en six angles différents par rapport à une surface plane.

Resserrez bien la vis (1) située sur l'extérieur.

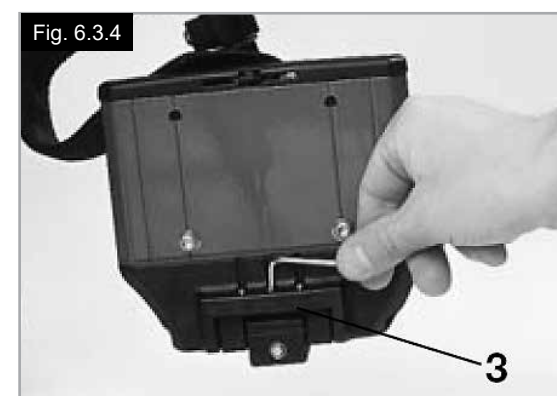
En enlevant les attaches (2), il devient possible de régler le repose-pied dans trois positions différentes, vers l'avant comme vers l'arrière. Pour modifier la position horizontale de la palette, dévissez la vis de réglage (3).

Pour cela, la palette devra être rabattue vers le haut.

(Fig. 6.3.2 à Fig. 6.3.4).

Lorsque vous avez terminé, n'oubliez pas de bien revisser toutes les vis (Voir la section sur la force de torsion).

Il faut toujours conserver un intervalle minimum de 2,5 centimètres entre les repose-pieds et le sol.



## Réglage de la largeur du repose-pieds

Si vous devez régler la largeur du repose-pieds, dévissez la vis (1), placez 1, 2 ou 3 entretoises (2) à l'intérieur ou à l'extérieur selon la largeur désirée et revissez la vis, (Fig. 6.3.5).

### Repose-pied léger

Vous pouvez régler l'angle d'inclinaison du repose-pieds. Dévissez pour cela les vis (2). Vous pouvez installer des cales latérales sur le repose-pieds, qui s'insèrent dans les trous de montage (3). Celles-ci empêchent le pied de glisser accidentellement, (Fig. 6.3.6). Après avoir procédé à vos réglages, vérifiez toujours d'avoir bien revissé toutes les vis (voir la section sur la force de torsion).

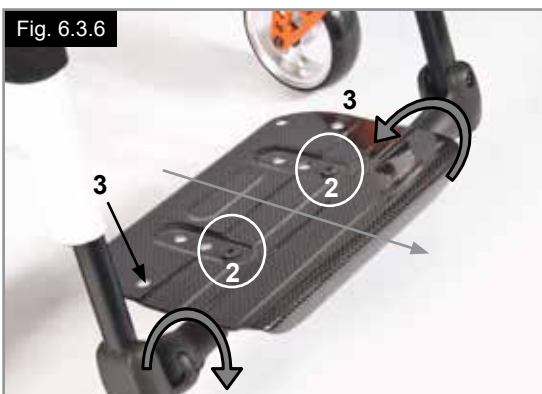
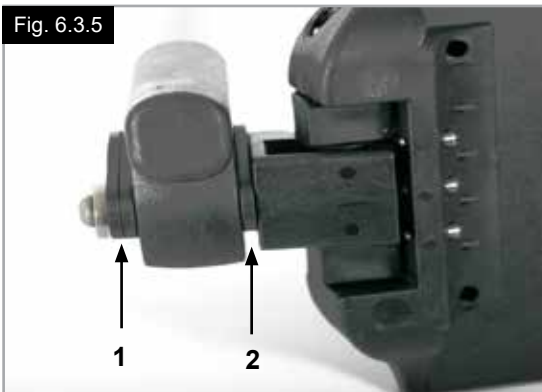
### Réglage de la largeur

Pour régler la largeur du repose-pieds, dévissez les vis (2). Glissez ensuite les tubes pour les rapprocher ou les écarter en fonction de la largeur souhaitée (Fig. 6.3.6).

Vérifiez d'avoir bien revissé les vis au bon couple de serrage.

### Palette pliable automatiquement

Pour régler l'angle d'inclinaison, dévissez les vis (1) et orientez le repose-pieds à l'angle désiré. Respectez le couple de serrage lorsque vous revissez les vis, (Fig. 6.3.7).



### Toile du siège

Vous pouvez régler la tension de la toile du siège à l'aide des sangles. Pour régler la tension de la toile du siège, toutes les sangles doivent être desserrées. Tirez sur les sangles pour régler la toile du siège à la tension désirée (Fig. 6.4.1).

**REMARQUE :** En cas de tension excessive, le croisillon ne pourra pas glisser dans le guide.

### Réglage de la hauteur du siège :

#### Adaptateur léger

Pour régler la hauteur d'assise ;

- Enlevez les bouchons en caoutchouc (3) situés dans la rainure au dos du support d'axe.
- À l'aide d'une clé hexagonale, retirez les vis hexagonales (1). Positionnez l'adaptateur d'axe (2) sur le support d'axe (4) à la hauteur d'assise désirée (Fig. 6.4.2).
- Pour positionner le siège au plus bas, montez l'adaptateur d'axe à l'envers.
- Pour resserrer les vis hexagonales (1), suivez les étapes ci-dessous :
  - a) Serrez les deux vis hexagonales au couple de 5 Nm.
  - b) Serrez à nouveau les deux vis hexagonales au couple de 8 Nm.
- Réinsérez les bouchons en caoutchouc.

#### Adaptateur standard

Pour régler la hauteur d'assise :

- Enlevez les bouchons en caoutchouc (3) situés dans la rainure au dos du support d'axe.
- À l'aide d'une clé hexagonale, retirez les vis hexagonales (1). Positionnez l'adaptateur d'axe (2) sur le support d'axe (4) à la hauteur d'assise désirée (Fig. 6.4.3).
- Pour resserrer les vis hexagonales (1), suivez les étapes ci-dessous :
  - a) Serrez les deux vis hexagonales au couple de 5 Nm.
  - b) Serrez à nouveau les deux vis hexagonales au couple de 8 Nm.
- Réinsérez les bouchons en caoutchouc.

### REMARQUE :

- Il peut être nécessaire de régler l'inclinaison des roues avant pendant le réglage de la hauteur d'assise à l'arrière.
- Si l'adaptateur de carrossage du support d'axe a été déplacé ou tourné lors du réglage de la hauteur du siège, il convient de vérifier, et éventuellement d'ajuster, la largeur de carrossage et de voie (voir la section « Alignement des roues »).

### ⚠ ATTENTION !

- Certaines des vis utilisées au cours de la fabrication sont dotées de frein-filet (point bleu sur le filetage) et peuvent être utilisées au maximum trois fois, après quoi il convient de les remplacer par des vis neuves. Vous pouvez également appliquer un adhésif frein-filet Loctite™ 243 sur les vis avant de les réutiliser.
- Lorsque vous remplacez les vis hexagonales (1) dans l'adaptateur d'axe, vous devez IMPÉRATIVEMENT appliquer de la Loctite™ 243 pour frein-filet.

Fig. 6.4.1

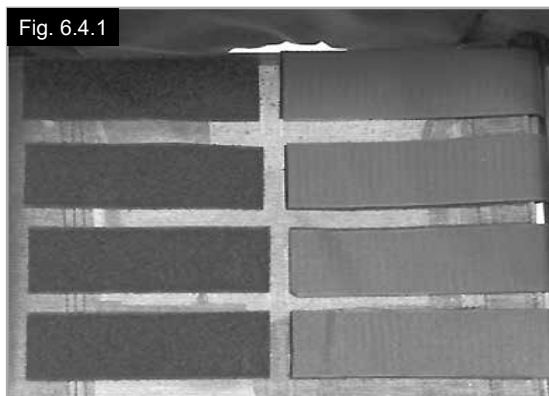


Fig. 6.4.2

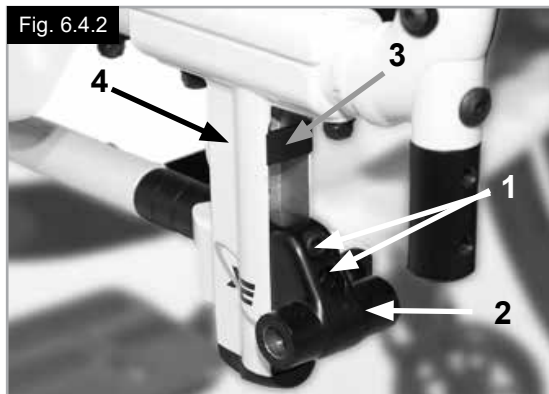
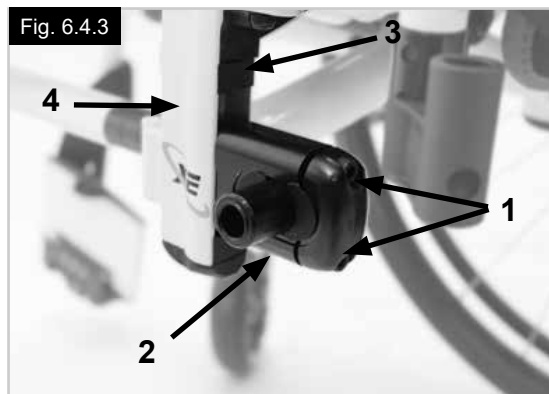


Fig. 6.4.3



## Réglage du centre de gravité

Pour ajuster le centre de gravité, vous avez deux possibilités. Ce réglage peut être effectué directement sur l'adaptateur d'axe (adaptateur standard seulement). Pour cela, déplacez les entretoises en demi-lune d'un côté ou de l'autre. Pour procéder à un réglage de plus grande amplitude, vous devez modifier l'emplacement du support d'axe sur le châssis.

### REMARQUE :

- Le changement du centre de gravité peut avoir pour effet de déstabiliser le fauteuil et de le faire basculer. Il convient alors d'utiliser des roulettes anti-basculer.
- Lorsque vous déterminez le centre de gravité, il pourra être nécessaire d'ajuster l'angle des roues avant.

### Modification de l'emplacement du support d'axe sur le châssis

En utilisant les axes à déverrouillage rapide, enlevez les roues de l'adaptateur d'angle.

Dévissez et retirez les deux vis (1). Placez la rallonge du support d'axe à la position désirée sur le châssis, remettez les vis en place dans la plaque perforée et resserrez-les. Lorsque vous déplacez la rallonge de support d'axe, déplacez également le guide de tube d'assise sur le châssis, (vous devez changer la rallonge et le guide). Vérifiez que les côtés droit et gauche sont réglés de la même manière. Respectez le couple indiqué de 8 Nm pour resserrer les vis (Fig. 6.4.4 à Fig. 6.4.5).

### Réglage du centre de gravité avec l'adaptateur d'axe standard

Vous pouvez procéder à des réglages supplémentaires directement sur le support d'axe (adaptateur standard uniquement) en déplaçant les entretoises en demi-lune d'un côté ou de l'autre, selon la position souhaitée. Trois positions sont possibles (Fig. 6.4.6 à Fig. 6.4.8).

À l'aide des axes à déverrouillage rapide (4), sortez la roue du canon d'axe. À l'aide d'une clé hexagonale, retirez les vis hexagonales (1). Retirez le cache (2) de l'adaptateur d'axe, et positionnez les entretoises en demi-lune (3) à l'emplacement correspondant au centre de gravité requis. Remettez le cache en place.

Pour resserrer les vis hexagonales (1), suivez les étapes ci-dessous :

- a) Serrez les deux vis hexagonales au couple de 5 Nm.
- b) Serrez à nouveau les deux vis hexagonales au couple de 8 Nm.

**REMARQUE :** Si l'adaptateur de carrossage a été déplacé ou tourné lors du réglage de la hauteur du siège, il convient de vérifier, et éventuellement d'ajuster, l'alignement des roues et le carrossage (voir la section « Alignement des roues »).

### ATTENTION !

- Lorsque vous remplacez les vis hexagonales (1) dans l'adaptateur d'axe, vous devez IMPÉRATIVEMENT appliquer de la Loctite™ 243 pour frein-filet.

Fig. 6.4.4

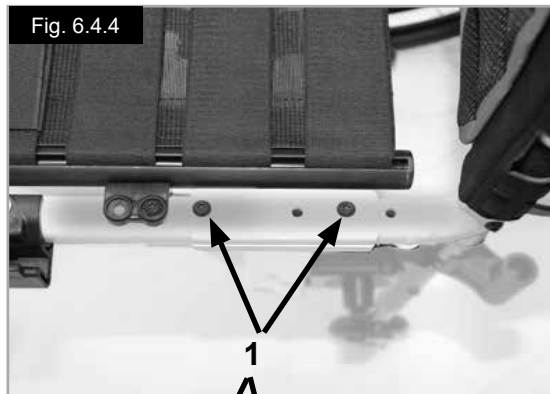


Fig. 6.4.5

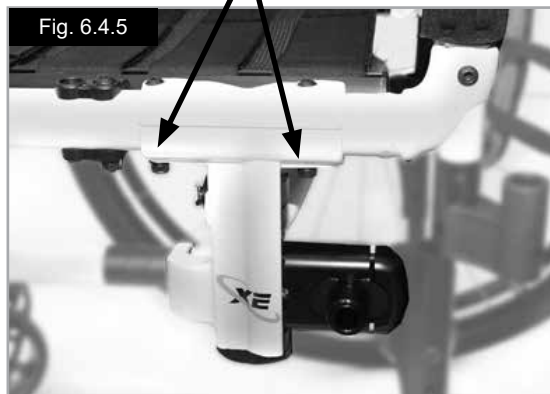


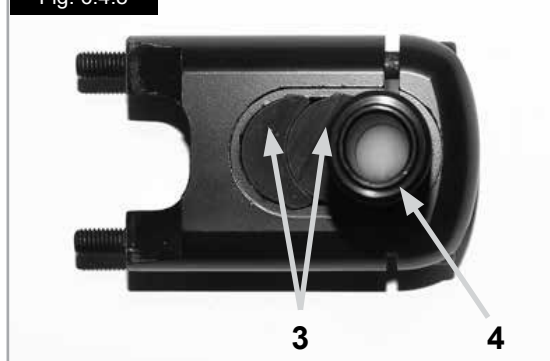
Fig. 6.4.6



Fig. 6.4.7



Fig. 6.4.8





## 6.5 Roues avant

### Réglage de la roue avant, du support de fourche et de la fourche

Si le fauteuil se déporte légèrement vers la droite ou la gauche, ou si les roues avant présentent du flottement, cela peut être dû à l'une des raisons suivantes :

- Le mouvement avant et arrière des roues n'est pas correctement réglé.
- Le réglage du carrossage n'est pas adapté.
- Gonflage insuffisant des pneus des roues avant et/ou arrière. Le roulement fluide des roues est entravé.

Les roues avant doivent être réglées de façon optimale pour que le fauteuil roule de façon rectiligne.

Les réglages des roues avant doivent toujours être confiés à un revendeur agréé. En cas de modification de la position de la roue arrière, les réglages du support de fourche et du frein doivent être contrôlés.

### Réglage des roues avant

Comptez les dents visibles des deux côtés pour vérifier que les deux fourches sont bien parallèles. Une fois la fourche des roues avant ajustée, les dents garantissent stabilité au fauteuil, permettant un réglage de 16° obtenu par incréments de 2° (Fig. 6.5.1).

Utilisez le côté plat à l'avant de la fourche pour vérifier qu'elle est perpendiculaire au sol.

Le modèle breveté permet de faire pivoter la fourche de manière à la régler perpendiculairement au sol en cas d'inclinaison de l'assise.

### Réglage de la stabilité directionnelle

Retirez les vis hexagonales (1) du dessous de la fourche. Retirez ensuite les vis (2). Vous pouvez maintenant orienter la douille noire (3) vers la droite ou la gauche.

Gauche – le fauteuil tire vers la gauche

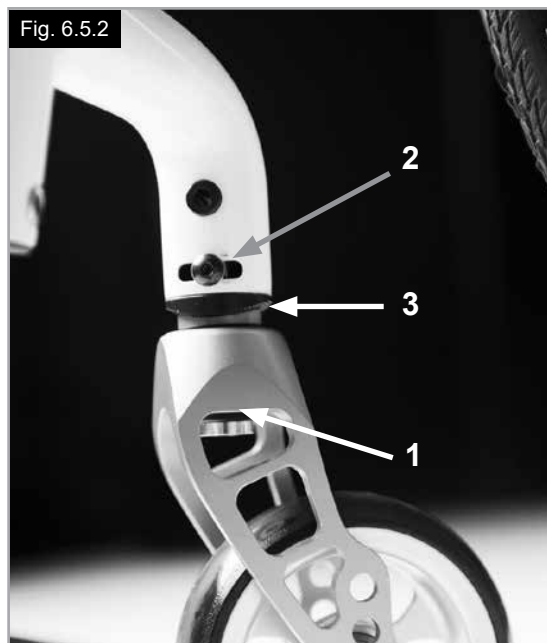
Droite – le fauteuil tire vers la droite

Resserrez de nouveau la vis (2). Réglez un angle à 90° entre la fourche et le sol.

Resserrez de nouveau la vis (1). (Fig. 6.5.2).

### ATTENTION !

Certaines des vis utilisées au cours de la fabrication sont dotées de frein-filet (point bleu sur le filetage) et peuvent être utilisées au maximum trois fois, après quoi il convient de les remplacer par des vis neuves. Vous pouvez également appliquer un adhésif frein-filet Loctite™ 243 sur les vis avant de les réutiliser.



## 6.6 Dossier

Pour régler l'angle du dossier, dévissez la vis hexagonale (1) et retirez-la. Réglez à la position désirée, puis remettez la vis en place et serrez-la au couple indiqué. (Fig. 6.6.1).

### Dossier rabattable

Afin de faciliter le transport du fauteuil, la partie supérieure du dossier peut être rabattue.

Pour cela, appuyez sur les deux leviers (1) et abaissez le dossier. Lorsque vous redressez le dossier, veillez à ce que les deux leviers soient bien enclenchés (Fig. 6.6.2 à Fig. 6.6.3).

### AVERTISSEMENT !

- Risque de blessure: Faites attention de ne pas vous prendre les doigts dans le mécanisme de pliage.

### Toile du dossier réglable

Vous pouvez régler la tension de la toile du dossier à l'aide des sangles (Fig. 6.6.4).

### Dossier à hauteur réglable

Vous pouvez régler le dossier à la hauteur désirée par incréments de 25 mm (4 plages de réglage : 250-300 mm, 300-400 mm, 400-450 mm et 450-475 mm).

Retirez les coussins latéraux de la garniture et, si nécessaire, la sangle au dos, qui cache les vis.

Dévissez la vis (1) et réglez le dossier à la hauteur désirée.

Resserrez la vis (Fig. 6.6.5).

Référez-vous à la section sur la force de torsion.

### ATTENTION !

**Si vous avez modifié le centre de gravité, tenez-en compte lors du réglage de l'inclinaison du dossier.**

## 6.7 Appui-têtes

Vous pouvez régler la hauteur de l'appui-tête (Fig. 6.7.1) et l'incliner horizontalement vers l'avant ou l'arrière.

Pour cela, desserrez la vis correspondante (1, 2 ou 3).

et réglez à la position désirée. Revissez les vis (Voir la section sur la force de torsion).

Fig. 6.6.1

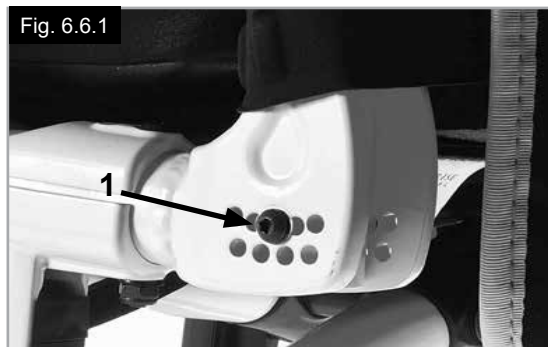


Fig. 6.6.2



Fig. 6.6.3



Fig. 6.6.4



Fig. 6.6.5

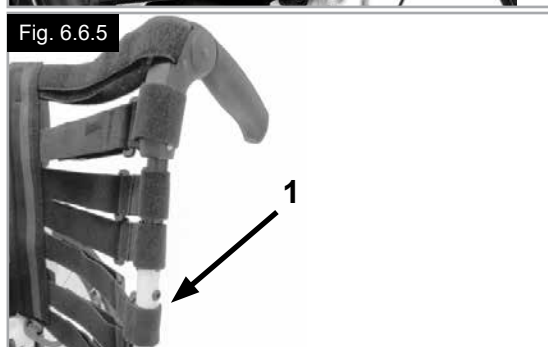


Fig. 6.7.1



### Réglage de l'alignement des roues

**REMARQUE :** Pour obtenir un déplacement optimal du fauteuil, les roues arrière doivent être parfaitement réglées, ce qui revient à régler correctement leur alignement. Pour le vérifier, mesurez la distance entre les deux roues avant et arrière pour s'assurer qu'elles sont parallèles l'une par rapport à l'autre. La différence entre les deux mesures ne doit pas dépasser 5 mm. Vous pouvez ajuster le réglage parallèle en desserrant les vis (1) et en pivotant le support d'axe (3). Lorsque vous avez terminé, n'oubliez pas de bien revisser toutes les vis, (Fig. 6.8.1 à Fig. 6.8.2). Resserrez les vis hexagonales au couple de 8 Nm.

#### **AVERTISSEMENT !**

Soyez extrêmement vigilant lorsque vous réglez le centre de gravité pour éviter que le fauteuil ne bascule.

### Réglez la largeur de l'empattement

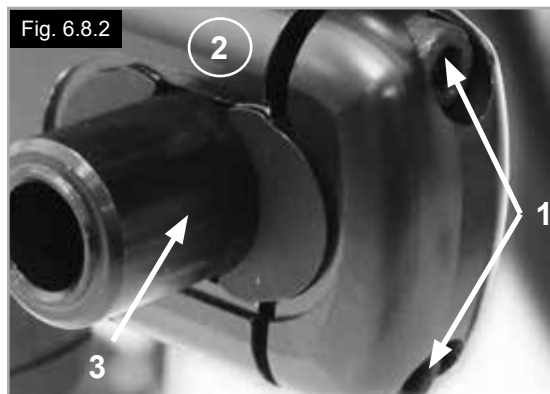
L'empattement arrière correspond à la distance entre la partie supérieure des roues arrière et les tubes du dossier. Son réglage usine est de 125 mm. S'il s'avère nécessaire de créer une plus grande distance entre les pneus et les accoudoirs réglables en hauteur, en option, l'empattement doit être augmenté.

Pour régler l'empattement arrière :

- Sortez ou entrez l'adaptateur de carrossage (3) de l'adaptateur d'axe en le faisant coulisser (2).
- Desserrez la vis (1) à l'arrière de l'adaptateur d'axe.
- Sortez ou entrez le canon d'axe (3) jusqu'à obtention de l'empattement désiré.
- Pour resserrer les vis hexagonales (1), suivez les étapes ci-dessous :
  - a) Serrez les deux vis hexagonales au couple de 5 Nm.
  - b) Serrez à nouveau les deux vis hexagonales au couple de 8 Nm.
- Répétez la procédure pour le côté droit du fauteuil et définissez le même écart qu'à gauche, (Fig. 6.8.1 à 6.8.2).

#### **ATTENTION !**

- Réglez une roue après l'autre pour définir l'empattement arrière.
- Si l'adaptateur de carrossage a été déplacé ou tourné lors du réglage de la hauteur du siège, il convient de vérifier, et éventuellement d'ajuster, l'alignement des roues (voir la section « Alignement des roues »).
- Lorsque vous remplacez les vis hexagonales (1) dans l'adaptateur d'axe, vous devez **IMPÉRATIVEMENT** appliquer de la Loctite™ 243 pour frein-filet.



## 6.9 Protège-vêtements

### 1. Installation

- a. faites glisser le montant de l'accoudoir dans le récepteur monté sur le châssis du fauteuil.
- b. L'accoudoir s'enclenchera automatiquement.

### 2. Réglage de la hauteur

- a. tournez le levier de réglage de la hauteur (2) jusqu'au deuxième point d'arrêt.
- b. levez ou abaissez la manchette à la hauteur désirée.
- c. refermez le levier en position verrouillée d'origine.
- d. appuyez sur la manchette (4) jusqu'à ce que le montant s'enclenche en position et émette un clic.

### 3. Retrait de l'accoudoir

- a. activez le levier 3 et soulevez l'accoudoir complet.

### 4. Insertion de l'accoudoir

- a. enfoncez le montant de l'accoudoir dans le récepteur, jusqu'à ce qu'il s'enclenche et émette un clic.

## Montage des éléments composant le support de l'accoudoir

### Réglage du jeu du récepteur de l'accoudoir

Pour réduire ou élargir le jeu intérieur du support de l'accoudoir :

1. Desserrez les quatre vis (D) situées sur le côté du support.
2. Laissez le montant de l'accoudoir dans le tube récepteur (E) et ajustez le serrage jusqu'à obtention du réglage souhaité.
3. Resserrez les quatre vis (D). (144 pouces / lbs, 16,3 Nm)

### Réglage de la position

1. Dévissez les deux vis de serrage (10) jusqu'à ce que la mâchoire soit desserrée
  2. Régler le tube récepteur de l'accoudoir à la position désirée.
  3. Revissez.
- (Fig. 6.9.1 à 6.9.4).

1. Montant de l'accoudoir
2. Levier de réglage de la hauteur
3. Levier de déverrouillage
4. Manchette de l'accoudoir
5. Barre de transfert
6. Protège-vêtement
7. Récepteur
8. Mâchoire de réglage
9. Vis de réglage du récepteur d'accoudoir
10. Vis de serrage

Fig. 6.9.1

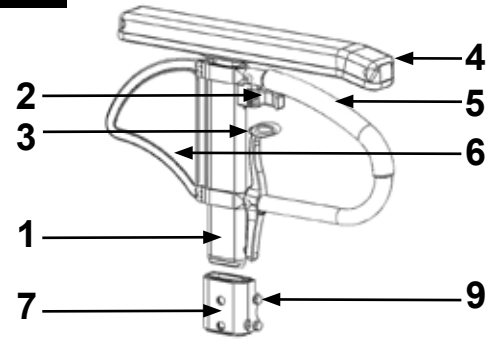


Fig. 6.9.2

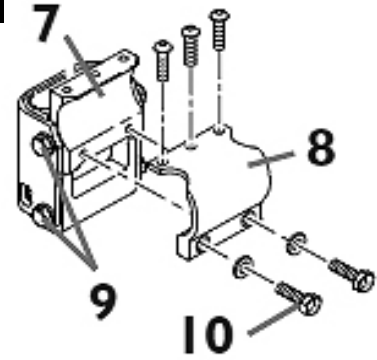


Fig. 6.9.3

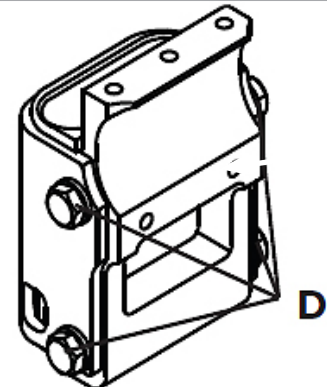
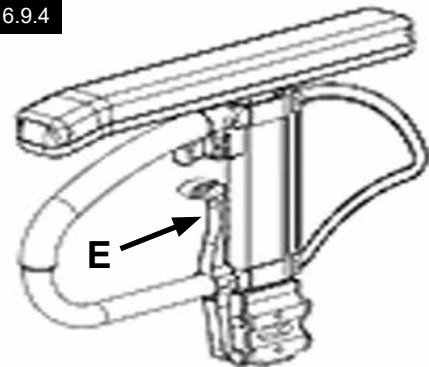


Fig. 6.9.4



## Protège-vêtements (suite)

### Protège-vêtement avec garde-boue

Le garde-boue empêche les vêtements d'être salis par les projections d'eau, (Fig. 6.9.5).

Vous pouvez régler la position par rapport à la roue arrière en déplaçant le protège-vêtement.

Pour cela, retirez les vis (1 et 2).

Après avoir réglé le protège-vêtement à la position désirée, resserrez les vis (reportez-vous à la page des couples de serrage).

#### AVERTISSEMENT !

Ne jamais soulever le fauteuil par les accoudoirs ou les protège-vêtements.

## 6.10 Poignées de poussée

### Poignées de poussée réglables en hauteur

Les poignées sont maintenues en place par des goupilles qui les empêchent de sortir accidentellement. Pour régler individuellement la hauteur des poignées de poussée (2), desserrez le levier de serrage (1). Si vous actionnez le levier, assurez-vous qu'il se ré-enclenche bien. Vous pouvez régler très facilement la poignée à la position désirée. L'écrou du levier de serrage détermine le serrage au niveau du support de la poignée de poussée. Après enclenchement du levier, si l'écrou est desserré, la poignée sera lâche. Avant utilisation, vérifiez que le serrage est suffisant en faisant pivoter latéralement la poignée. Après avoir réglé la hauteur de la poignée, serrez fermement le levier de serrage (1). Quand le levier de serrage n'est pas serré, cela peut occasionner des blessures lors de la montée d'escaliers. (Fig. 6.10.1).

#### ATTENTION !

Si les poignées réglables en hauteur ne sont pas correctement positionnées, elles peuvent avoir du jeu ou se déplacer. Vérifiez d'avoir fermement revissé toutes les vis.

### Poignées rabattables

Si vous n'avez pas besoin des poignées, vous pouvez les abaisser en appuyant sur le bouton (1). Lorsque vous en avez à nouveau besoin, relevez les poignées jusqu'à ce qu'elles s'enclenchent. (Fig. 6.10.2).

Fig. 6.9.5

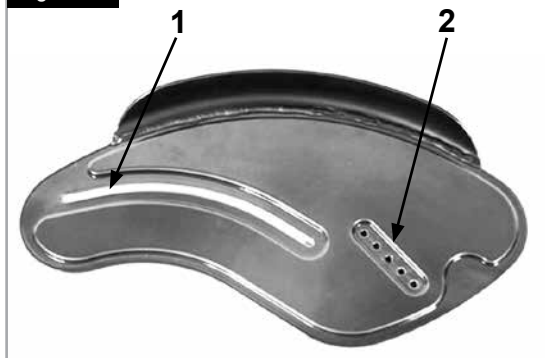


Fig. 6.10.1

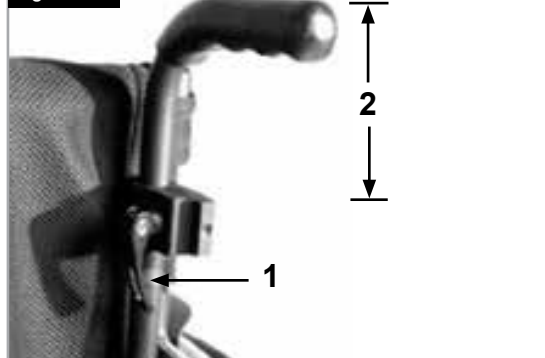
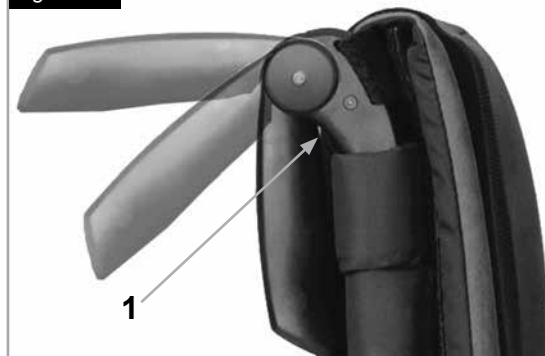


Fig. 6.10.2



## 6.11 Porte-canne

### Porte-canne

Le porte-canne vous permet de toujours transporter votre canne avec vous. Une bande Velcro sert à fixer la canne ou tout autre système d'aide à la marche (Fig. 6.11.1).

#### AVERTISSEMENT !

N'essayez jamais d'utiliser ni d'enlever votre canne ou tout autre système d'aide à la marche pendant que vous vous déplacez en fauteuil.

## 6.12 Roulettes anti-bascule

#### AVERTISSEMENT !

Sunrise Medical recommande l'utilisation de roulettes anti-basculer avec tous les fauteuils.

Il convient d'utiliser un couple de serrage de 7 Nm pour fixer les roulettes anti-basculer.

Les roulettes anti-basculer empêchent le fauteuil de basculer vers l'arrière, renforçant la sécurité des utilisateurs peu expérimentés et des utilisateurs qui ne sont pas encore complètement familiarisés avec le fonctionnement de leur fauteuil.

### Roulettes encliquetables

#### Insertion des roulettes anti-basculer dans le collier.

- Appuyez sur le téton arrière de l'adaptateur de la roulette de sorte que la goupille de déverrouillage se rétracte vers l'intérieur.
- Insérez les roulettes anti-basculer (1) dans le tube d'assemblage.
- Pivotez les roulettes anti-basculer vers le bas, jusqu'à ce que la goupille s'enclenche à l'intérieur du collier.
- Fixez la deuxième roulette anti-basculer de la même façon.

#### Réglage des roulettes anti-basculer

Pour éviter confortablement les obstacles d'une hauteur comprise entre 25 mm et 50 mm, élevez ou abaissez les roulettes anti-basculer.

- Enfoncez le bouton de déverrouillage de la roulette de sorte qu'il se rétracte vers l'intérieur.
- Réglez le montant inférieur vers le haut ou le bas dans les trous de réglage de la hauteur.
- Relâchez le bouton.
- Fixez la deuxième roulette anti-basculer de la même façon.
- Les deux roulettes anti-basculer doivent être exactement à la même hauteur. (Fig. 6.12.1).

Fig. 6.11.1



Fig. 6.12.1

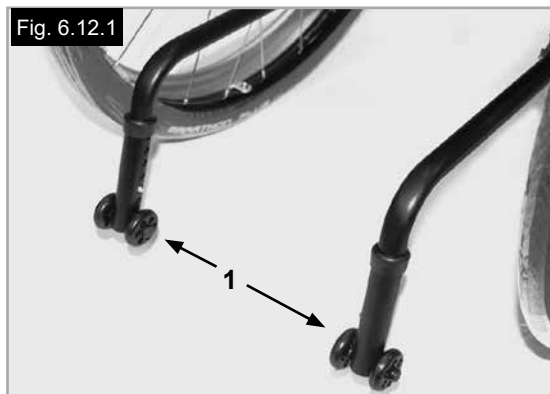
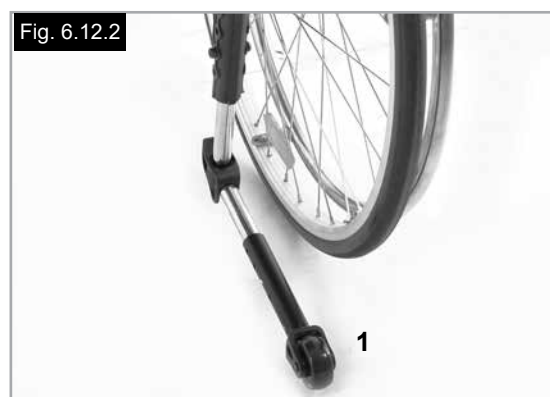


Fig. 6.12.2



### Roulettes escamotables

Appuyez sur le haut des roulettes anti-basculer (1) pour les abaisser, (Fig. 6.12.2).

Maintenez un écart de 30 - 50 mm entre les roulettes anti-basculer et le sol.

Vous pouvez également relever les roulettes. Elles doivent toujours être en position relevée lorsque vous négociez des obstacles relativement hauts, comme des trottoirs, afin d'éviter qu'elles n'entravent la manoeuvre.

#### DANGER !

En l'absence de roulettes anti-basculer, ou si celles-ci ont été mal installées, le fauteuil risque de basculer et de provoquer des blessures.

## 6.13 Barre de stabilisation

### Tendeur de dossier pliant

Cette barre permet de stabiliser le dossier. Pour plier le fauteuil, enfoncez le levier de déverrouillage vers l'intérieur (Fig. 6.13.1), puis relâchez-le, et abaissez le tendeur de dossier.

Lorsque vous dépliez le fauteuil, pensez à bien remettre le tendeur de dossier en place.

## 6.14 Roulettes de transit

### Roulettes de transit

Utilisez les roulettes de transit à chaque fois que le fauteuil est trop large en raison de ses roues arrière (Fig. 6.14.1).

Quand les roues arrière sont retirées grâce à l'axe à déverrouillage rapide, on peut continuer à rouler sur les roulettes de transit, (Fig. 6.14.2).

Ces roulettes sont montées de manière à être environ 30 mm au-dessus du sol quand elles ne sont pas utilisées. Elles ne créent de ce fait aucune gêne pour avancer, et lors du transport ou du basculement.

### DANGER !

- Sans ses roues arrière, votre fauteuil n'a pas de freins d'immobilisation.
- Le fauteuil risque de basculer vers l'arrière.



Fig. 6.14.1



Fig. 6.14.2



## 6.15 Ceinture pelvienne

### AVERTISSEMENTS !

- Avant d'utiliser le fauteuil, vérifiez que la ceinture pelvienne est bien en place.
- La ceinture sous-abdominale doit être contrôlée quotidiennement afin de s'assurer que son fonctionnement n'est pas altéré par des éléments divers ou par l'usure.
- Toujours vérifier que la ceinture sous-abdominale est bien fixée et correctement réglée avant d'utiliser le fauteuil.

### DANGER !

Une sangle trop lâche peut entraîner le glissement de l'utilisateur et causer un risque de suffocation ou des blessures graves.

La ceinture pelvienne est fixée sur le fauteuil comme indiqué aux Fig. 6.15.1 à Fig. 6.15.10. La ceinture de sécurité se compose de 2 moitiés. Elles sont installées en utilisant le boulon de maintien existant du siège fixé à travers l'œillet de la ceinture. La ceinture est passée sous l'arrière du panneau latéral. (Fig. 6.15.1).

Ajustez la ceinture sous-abdominale afin de convenir aux besoins de l'utilisateur comme ci-après :

Ajustez la position de la ceinture afin que les attaches soient au centre du siège. (Fig. 6.15.2).

Passez la ceinture par l'attache male et le dispositif de réglage coulissant.

Assurez-vous qu'il n'y a pas une longueur excessive de ceinture du côté de l'attache femelle (Fig. 6.15.3).

Passez la ceinture par les dispositifs de réglage coulissant et l'attache male afin d'obtenir plus de longueur de ceinture, (Fig. 6.15.6).

Fig. 6.15.1



Fig. 6.15.2



Fig. 6.15.3



Fig. 6.15.4



Fig. 6.15.5

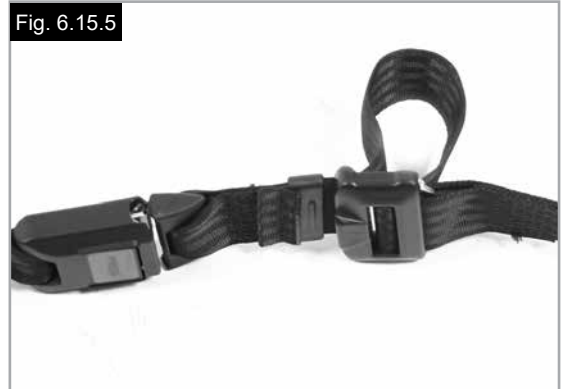
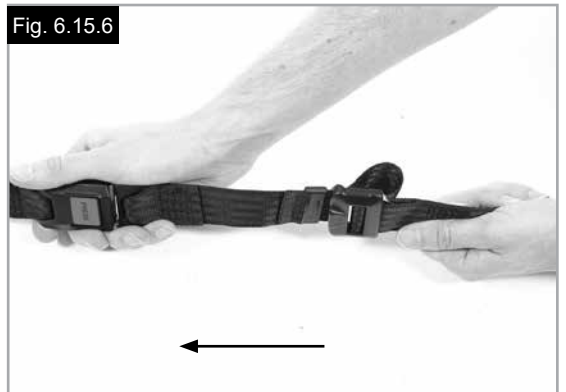


Fig. 6.15.6





## Ceinture pelvienne (suite)

Une fois la ceinture attachée, vérifiez l'espace entre la ceinture pelvienne et l'utilisateur : Si la ceinture est correctement réglée, vous pouvez passer la main à plat entre la ceinture pelvienne et l'utilisateur, (Fig. 6.15.7).

La ceinture sous-abdominale doit être fixée de façon à ce que la ceinture soit à un angle de 45 degrés au travers du bassin de l'utilisateur. L'utilisateur doit être bien droit et le plus à l'arrière possible dans le siège quand réglée correctement. La ceinture sous-abdominale ne doit pas permettre à l'utilisateur de glisser du siège. (Fig. 6.15.8).

### Pour attacher la ceinture :

Poussez l'attache male de façon ferme dans l'attache femelle, (Fig. 6.15.9).

### Pour défaire la ceinture :

Enfoncez le bouton ROUGE au centre de la boucle, puis écarter délicatement les deux parties, (Fig. 6.15.10).

**REMARQUE :** Pour toute question sur l'utilisation et le fonctionnement de la ceinture pelvienne, contactez le fournisseur du fauteuil roulant, votre aide-soignant ou votre accompagnateur.

## ⚠ AVERTISSEMENTS !

- La ceinture pelvienne ne doit être installée ou ajustée que par un revendeur ou agent Sunrise Medical autorisé.
- La ceinture sous-abdominale doit être contrôlée quotidiennement afin de s'assurer que l'ajustement est correct et que son fonctionnement n'est pas altéré par des éléments divers ou par l'usure.
- Sunrise Medical déconseille le transport de toute personne dans un véhicule utilisant la ceinture pelvienne comme système de retenue.



Pour de plus amples informations sur le transport, consultez la brochure de transit de Sunrise Medical.

### Entretien :

Vérifiez régulièrement l'état de la ceinture et des composants de retenue afin de détecter l'apparition d'éventuels signes d'endommagement ou de déchirure. Selon son degré d'usure, il faudra la remplacer.

## ⚠ AVERTISSEMENT !

La ceinture pelvienne doit être réglée de façon à s'adapter à l'utilisateur, comme détaillé ci-dessus. Sunrise Medical recommande également que la longueur et l'ajustement de la ceinture soient vérifiés régulièrement afin de réduire le risque de voir l'utilisateur final régler par inadvertance la ceinture à une longueur excessive.

Fig. 6.15.7



Fig. 6.15.8

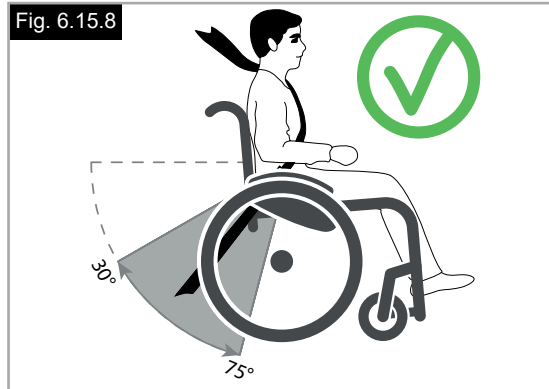


Fig. 6.15.9



Fig. 6.15.10



## 7.0 Contrôles quotidiens

### ATTENTION !

En tant qu'utilisateur, vous êtes le mieux placé pour remarquer toute éventuelle anomalie. Nous vous recommandons donc de vérifier les éléments de la liste suivante avant chaque utilisation :

- Vérifier la pression des pneus
- Vérifier le bon fonctionnement des freins d'immobilisation.
- Vérifier que les composants amovibles sont bien en place, par ex. accoudoirs, repose-pieds, axe à déverrouillage rapide, etc.
- Vérifier tout signe d'endommagement visible, par ex. sur le châssis, le dossier, la toile du siège, les roues, le repose-pieds, etc.

En cas d'endommagement ou de dysfonctionnement, contactez votre revendeur agréé.

## 8.0 Pneus et montage des pneus

### AVERTISSEMENT !

Veillez à ce que la pression de vos pneus soit toujours correcte (min. 3,5 bar) car les caractéristiques du fauteuil peuvent changer.

Quand la pression est insuffisante, il faut dépenser plus d'énergie car la résistance du fauteuil est très élevée. La maniabilité du fauteuil en est réduite.

### AVERTISSEMENT !

Le pneu peut éclater si la pression est trop élevée.

La pression correcte est indiquée sur le bandage du pneu., (min. 3,5 bar).

Les pneus se montent comme des pneus de vélo courants.

Avant de remplacer la chambre à air, inspectez la jante et la paroi interne du pneu et enlevez tout éventuel corps étranger.

Vérifiez la pression des pneus après le montage ou la réparation. Une pression correcte et un excellent état des pneus constituent des conditions essentielles pour votre sécurité et le comportement du fauteuil.

## 9.0 Maintenance et entretien

- Vérifiez la pression des pneus toutes les 4 semaines. Inspectez tous les pneus pour repérer tout éventuel signe d'usure ou d'endommagement.
- Vérifiez l'état des freins d'immobilisation une fois par mois pour être certain qu'ils fonctionnent correctement et qu'ils sont faciles à utiliser.
- Les pneus se changent comme ceux d'une bicyclette ordinaire.
- Toutes les jointures essentielles au fonctionnement sécurisé de votre fauteuil sont dotées d'écrous autofreinés. Vérifiez SVP tous les trois mois que les raccords vissés (voir la section des couples de serrage) sont solides. Les écrous de sécurité ne doivent être utilisés qu'une seule fois. Après une utilisation répétée, vous devez remplacer ces écrous.
- Quand votre fauteuil est sale, nettoyez-le uniquement avec un nettoyant ménager doux. Pour nettoyer la toile du siège, n'utilisez qu'une solution savonneuse.
- Si votre fauteuil est humide, séchez-le SVP après utilisation.
- Tous les deux mois environ, appliquez une petite quantité d'huile pour machine à coudre sur les axes à libération rapide. Suivant l'utilisation que vous faites de votre fauteuil, nous vous recommandons de demander à votre revendeur d'effectuer un contrôle de votre fauteuil tous les 6 mois.
- N'utilisez que des pièces d'origine ayant été approuvées par Sunrise Medical. N'utilisez pas des pièces provenant de fabricants tiers qui n'auraient pas été approuvés par Sunrise Medical.

### ATTENTION !

**Le sable et l'eau de mer (les projections de sel en hiver) endommagent la suspension des roues avant et des roues arrière. Nettoyez bien le fauteuil s'il a été exposé à ces éléments.**

Les pièces suivantes sont amovibles et peuvent être renvoyées au fabricant/revendeur pour être réparées :

**Roues arrière - Accoudoir - Support de repose-pieds - Roulettes anti-bascule**



Ces composants sont disponibles comme pièces détachées. Pour plus d'informations, consultez le catalogue des pièces détachées.

## 9.0 Maintenance et entretien suite

### Mesure d'hygiène en cas de cession du fauteuil :

Avant de laisser une autre personne utiliser le fauteuil, il convient de l'appêter soigneusement.

#### AVERTISSEMENT !

Toutes les surfaces entrant en contact avec le nouvel utilisateur doivent être désinfectées.

Pour cela, utilisez un désinfectant de la liste DGHM, par ex. Antifect Liquid (Schülke & Mayr) prévu pour la désinfection rapide des produits et appareils médicaux. Suivez bien les consignes du fabricant du désinfectant de votre choix.

En règle générale, une désinfection totale ne peut être garantie sur les coutures. Par conséquent et conformément à l'article 6 de la réglementation relative à la protection contre les infections, il est recommandé de mettre au rebut la toile du siège et du dossier afin d'éviter toute contamination micro-bactérienne par les agents actifs.

## 10.0 Dépannage

### Le fauteuil tire sur le côté

- Vérifiez la pression des pneus
- Vérifiez que la roue (roulement, axe) roule sans problèmes
- Vérifiez l'angle des roues avant
- Vérifiez que les deux roues avant sont en contact avec le sol.

### Les roues avant oscillent

- Vérifiez l'angle des roues avant
- Vérifiez que les visseries sont fixes, resserrez-les le cas échéant (voir la page des couples de serrage)
- Vérifiez que les deux roues avant sont en contact avec le sol.

### Le fauteuil grince et cliquette

- Vérifiez que les visseries sont fixes, resserrez-les le cas échéant (voir la page des couples de serrage)
- Graissez légèrement les parties articulées.

### Le fauteuil a du jeu

- Vérifiez l'angle des roues avant
- Vérifiez la pression des pneus
- Regardez si les roues arrière sont réglées de différente manière.

## 11.0 Mise au rebut / Recyclage des matériaux

**REMARQUE :** Si ce fauteuil a été mis à votre disposition dans le cadre d'un programme de don ou de prêt médical, il se peut qu'il ne vous appartienne pas. Si vous n'en avez plus usage, veuillez le rendre à l'organisation qui vous l'a fourni.

La section suivante décrit les différents matériaux composant le fauteuil en vue de la mise au rebut ou du recyclage du fauteuil et de ses matériaux d'emballage. Renseignez-vous sur la réglementation en vigueur relative à l'élimination ou au recyclage de votre fauteuil. Vous serez tenu de la respecter le jour de la mise au rebut de votre fauteuil. (notamment le nettoyage ou la décontamination du fauteuil roulant avant sa mise au rebut).

**Aluminium :** Fourches, roues, protège-vêtement, cadre des accoudoirs, repose-pieds, poignées de poussée

**Fibre de carbone :** Montants du châssis, axes, support d'axe et tubes de dossier.

**Acier :** Points d'arrimage, axe à déverrouillage rapide.

**Plastique :** Poignées, butées des montants, roues avant, palettes, manchettes et pneus.

**Emballage :** Sacs en plastique composés de polyéthylène, cartons.

**Garniture :** Matériau polyester avec revêtement PVC et mousse hautement inflammable.

La mise au rebut ou le recyclage doit être assuré par un agent spécialisé ou une décharge agréée. Contactez l'entreprise spécialisée dans le traitement des déchets pour connaître les dispositions concernant la mise au rebut des composants en fibre de carbone. Vous pouvez également renvoyer votre fauteuil roulant à votre revendeur qui se chargera de sa mise au rebut.

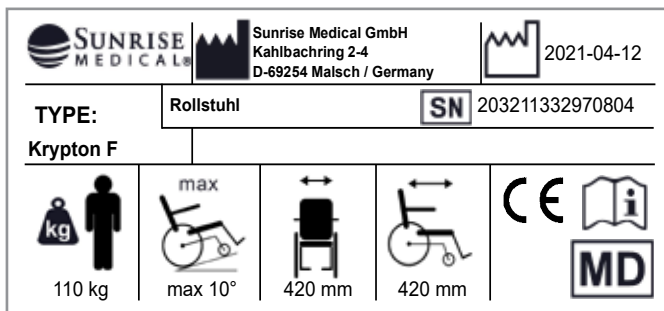


## 12.0 Plaque signalétique

La plaque signalétique se trouve sur les tubes du croisillon, ainsi que sur une étiquette dans le manuel d'utilisation. La plaque indique la dénomination exacte du modèle et fournit diverses informations techniques. Pour une commande de pièces de rechange ou une réclamation, indiquez SVP les informations suivantes :

- Numéro de série
- Numéro de commande
- Mois/année

# ECHANTILLON



### Krypton F

Désignation du produit/Numéro de SKU.



Pente maximale pouvant être abordée par le fauteuil équipé de roulettes anti-bascule. Dépend de la configuration du fauteuil, de la posture et des capacités physiques de l'utilisateur.



Largeur du siège.



Profondeur (maximale).



Charge maximale.



Marquage CE



Manuel d'utilisation



XXXX-XX-XX

Date de fabrication



Numéro de série.



Ce symbole signifie dispositif médical.



Coordonnée du fabricant.

ISO 7176-19:2008

Fait l'objet d'essais de collision conformément à la norme ISO 7176-19:2008.

## 13.0 Caractéristiques techniques

### Largeur totale :

Avec roues standard, main-courante, montage étroit :

- Avec le protège-vêtement en aluminium :
  - LS + 170 mm
- avec le garde-boue en composite :
  - LS + 190 mm
- La largeur totale est réduite de 20 mm avec la main-courante ultra étroite.
- Avec roues standard, y compris main courante et carrossage de 4° : LS + 250 mm

### Longueur totale :

910 mm avec largeur siège de 480 mm

### Hauteur totale :

1120 mm avec hauteur du dossier de 450 mm

### Poids en kg :

- à partir de 8,3 kg
- Transport (sans repose-pied, roues, protection latérale) 5,8 kg
- Protège-vêtement (unité) 1,3 kg
- Roues (unité) 2,2 kg

### Charge Max.

Krypton F jusqu'à 110 kg.

### Hauteurs du siège :

Le châssis, la fourche, les roues avant et la taille des roues arrière (610mm), (635mm) déterminent la hauteur du siège.

### Le fauteuil est conforme aux normes suivantes :

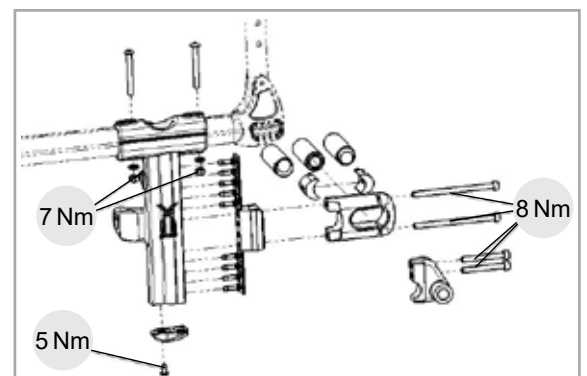
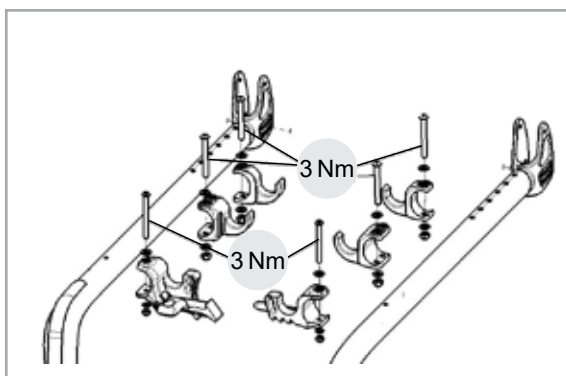
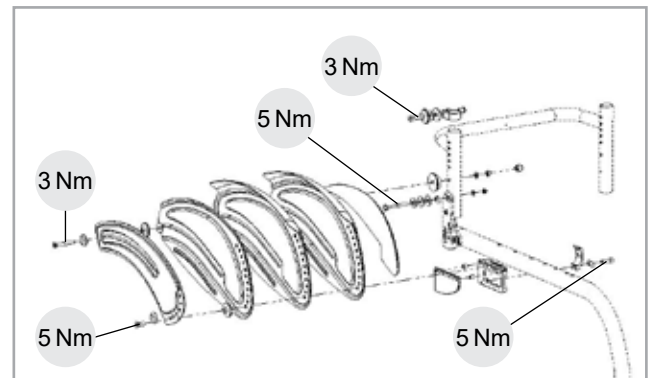
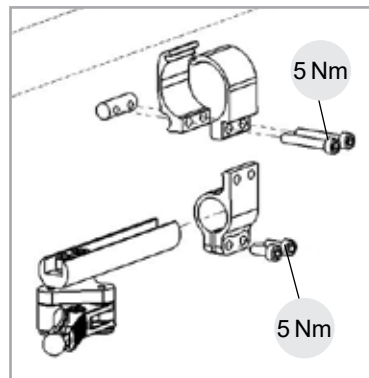
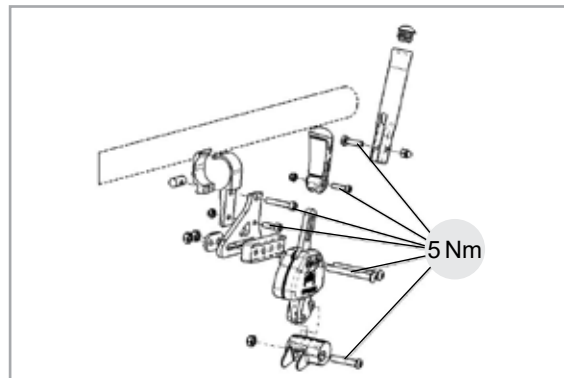
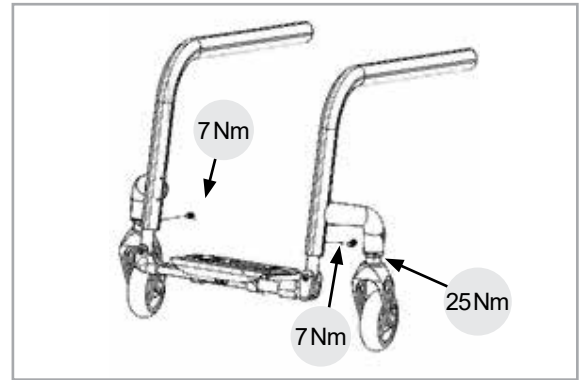
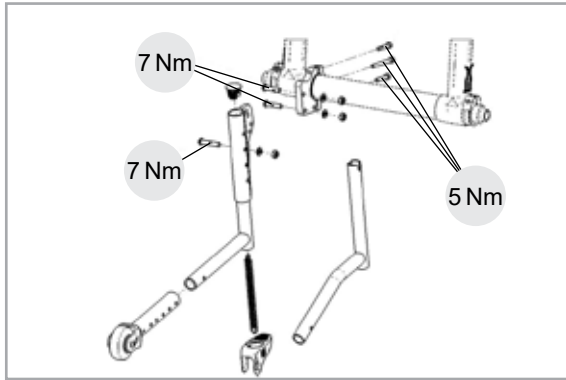
1. Exigences et méthodes d'essai pour la résistance statique, la résistance aux chocs et la résistance à la fatigue (ISO 7176-8)
2. Exigences en matière de résistance à l'inflammation des parties rembourrées conformément à ISO 7176-16 (EN 1021-1/2)



M5 = 5,0 Nm  
 M6 = 7,0 Nm  
 M8 = 10,0 Nm



Nm



**⚠ OPGELET!**

Sommige schroeven die tijdens de fabricage worden gebruikt, zijn voorzien van een schroefdraadborgingsmiddel (blauwe stip op de schroefdraad). Deze kunnen drie keer worden losgedraaid en weer vastgedraaid. Hierna moeten ze worden vervangen door nieuwe schroeven. Als alternatief kunt u Loctite™ 243 schroefdraadborgingsmiddel op de schroeven aanbrengen en ze weer vastdraaien.

**Beste klant,**

Wij zijn erg blij dat u gekozen hebt voor een kwalitatief hoogstaand SUNRISE MEDICAL-product.

In deze gebruikshandleiding vindt u tal van tips en ideeën waarmee u van uw nieuwe rolstoel een betrouwbare partner in uw leven kunt maken.

Wij bij Sunrise Medical staan erop om een nauwe band met onze klanten te onderhouden. Daarom willen wij u op de hoogte houden van de huidige en de nieuwe ontwikkelingen in ons bedrijf. Een goede band met onze klanten betekent ook: snelle service, uitstekende toegankelijkheid en nauwe samenwerking met onze klanten. Wanneer u vervangende onderdelen of accessoires nodig hebt, of een vraag over uw rolstoel hebt, staan wij voor u klaar.

Wij willen dat u tevreden bent over onze producten en diensten. Bij Sunrise werken we voortdurend aan verdere ontwikkeling van onze producten. Dat maakt dat de vorm, de technologie en de uitrusting van onze producten kan veranderen. Er zijn dan ook geen juridische vorderingen mogelijk op basis van de gegevens of de afbeeldingen in deze gebruikershandleiding.

**Het managementsysteem van SUNRISE MEDICAL is gecertificeerd en voldoet aan de EN ISO 9001, ISO 13485 en ISO 14001 normen.**

**CE** SUNRISE MEDICAL verklaart als producent dat de lichtgewicht rolstoelen voldoen aan de EU-verordening Medische hulpmiddelen (2017/745).

**OPMERKING:****Algemeen advies.**

Wanneer deze instructies niet worden opgevolgd, kan dit leiden tot fysiek letsel, schade aan het product of schade aan de omgeving!

Een mededeling aan de gebruiker en/of patiënt: wanneer dit product betrokken was bij een ernstig incident, dient dit aan Sunrise Medical en de bevoegde autoriteit van de Lidstaat waarin de gebruiker en/of patiënt is gevestigd, te worden gemeld.

**Built-4-Me speciale aanpassingen**

Sunrise Medical adviseert nadrukkelijk alle bij uw Built-4-Me product meegeleverde gebruikersinformatie zorgvuldig door te lezen voordat u het product voor het eerst gebruikt. Alleen wanneer u de gebruiksaanwijzingen volledig hebt doorgelezen en begrijpt, bent u ervan verzekerd dat het Built-4-Me product functioneert en presteert zoals de fabrikant dit heeft bedoeld.

Sunrise Medical adviseert tevens de gebruikersinformatie na het lezen niet weg te gooien, maar het veilig op te bergen, zodat u de informatie later nog eens kunt doornemen.

**Combinaties van medische hulpmiddelen**

Het is eventueel mogelijk om dit medische hulpmiddel met één of meerdere andere medische hulpmiddelen of een ander product te combineren. Kijk voor informatie over mogelijke combinaties op [www.Sunrisemedical.nl](http://www.Sunrisemedical.nl). Alle op de lijst vermelde combinaties zijn gevalideerd om te voldoen aan de Algemene veiligheids- en prestatievereisten, Bijlage I nr. 14.1 van de MDR - Verordening voor Medische hulpmiddelen (2017/745).

Richtlijnen voor de combinatie, zoals de bevestiging, vindt u op [www.SunriseMedical.nl](http://www.SunriseMedical.nl)

Heeft u vragen over het gebruik, het onderhoud of de veiligheid van uw rolstoel, neem dan contact op met uw plaatselijke erkende dealer van SUNRISE MEDICAL.

Is er geen erkende dealer in uw regio of hebt u vragen, neem dan schriftelijk of telefonisch contact op met Sunrise Medical:

**Sunrise Medical B.V.**  
**Groningenhaven 18-20**  
**3433 PE NIEUWEGEIN**  
**T: +31 (0)30 – 60 82 100**  
**E: [info@sunrisemedical.nl](mailto:info@sunrisemedical.nl)**  
**[www.SunriseMedical.nl](http://www.SunriseMedical.nl)**

**BELANGRIJK:**

GEBUIK UW ROLSTOEL NIET TOT U DEZE GEBUIKSAANWIJZING HEEFT GELEZEN EN BEGREPEN.

## Gebruik

Rolstoelen zijn uitsluitend bedoeld voor volwassenen en kinderen die niet kunnen lopen of verminderd mobiel zijn. De rolstoel is bedoeld voor persoonlijk gebruik, zowel binnens- als buitenshuis en kan zelfbewegend zijn of worden voortbewogen door een begeleider.

**Het maximale gewicht dat de stoel kan dragen (dit is het gewicht van de gebruiker en eventuele accessoires die aan de stoel zijn bevestigd) staat vermeld bij het serienummer; dit vindt u op de kruisstang of stabiliseerstang onder de zitting.**

Aansprakelijkheid wordt uitsluitend geaccepteerd indien het product wordt gebruikt onder die specifieke omstandigheden en voor het doel waarvoor het product is gemaakt.

De verwachte levensduur van de rolstoel is vijf jaar. Er mogen uitsluitend door Sunrise Medical goedgekeurde STANDAARD onderdelen worden gebruikt.

De dragende onderdelen van deze rolstoel zijn gemaakt van Carbon (feitelijk: een met Carbonvezel versterkt kunststof, of CFRP). Carbon is een buitengewoon sterk materiaal dat wordt gebruikt wanneer er extreme draagcapaciteit met minimaal gewicht wordt vereist. Onze Carbon onderdelen worden handmatig geproduceerd - onregelmatigheden in het materiaal, oneffenheden op het oppervlak of kleine luchtbelletjes zijn louter visueel en hebben geen invloed op de kwaliteit. In vergelijking met metaal of andere kunststoffen heeft Carbon enkele afwijkende kenmerken die voor normaal gebruik in overweging genomen moeten worden.

### OPGELET!

Carbon kan door overbelasting worden beschadigd (inslagen of klappen die buiten het normale gebruik vallen, zoals: vallen, kantelen, of het laten vallen van de rolstoel). Door overbelasting kunnen de Carbon vezels worden beschadigd, of kan delaminatie optreden (scheiding van de vezellagen of scheiding van de vezels van de hars).

Vaak is deze schade aan de buitenzijde niet zichtbaar. Het kan echter leiden tot een verminderde belastbaarheid, of in extreme gevallen, breuk van onderdelen.

### GEVAAR!

- Als de rolstoel betrokken was bij een ongeluk, val of wanneer u de rolstoel hebt laten vallen, mag deze omwille van de veiligheid niet meer worden gebruikt en moet hij ter inspectie naar Sunrise Medical worden gestuurd.
- De rolstoel moet regelmatig worden gecontroleerd op schade (scheuren, verkleuringen, etc.).
- Als het oppervlak van de Carbon onderdelen beschadigd is (deuken of krassen die dieper zijn dan de afwerkingslaag), moet de rolstoel ter controle naar Sunrise Medical worden gestuurd.

- Zorg ervoor dat de rolstoel tijdens transport niet in contact komt met andere voorwerpen of bagage (geldt vooral tijdens transport door de lucht). Er mag nooit bagage bovenop de rolstoel worden gezet. Controleer of de rolstoel goed vastgemaakt is, zodat hij niet kan wegglijden.
- Let op eventuele kraakgeluiden wanneer u de rolstoel gebruikt; dergelijke geluiden kunnen wijzen op schade in de vezelstructuur. Stuur, indien van toepassing, de rolstoel ter inspectie naar Sunrise Medical.
- Vervang beschadigde onderdelen direct - schade aan Carbon onderdelen kan niet worden gerepareerd.
- Het is niet toegestaan accessoires van derden, zoals handbikes, voorwielen of andere, niet-standaard toepassingen te gebruiken.
- Overschrijd de voor schroeven en klemmen voorgeschreven draaikracht niet.
- Bevestig nooit verlengingstukken met behulp van klemmen of schroeven.
- Boor nooit een gat in de Carbon onderdelen en wijzig ze niet op mechanische wijze.
- Stel de rolstoel nooit bloot aan hoge temperaturen (bijvoorbeeld als de rolstoel buiten in de zon blijft staan, of als de rolstoel zich in een auto bevindt die in de zon geparkeerd staat), en berg hem niet op in de nabijheid van warmtebronnen.
- Maak de Carbon onderdelen uitsluitend schoon met een vochtige doek en schoon, koud of lauw water. Eventueel kan een schoonmaakmiddel worden toegevoegd.
- Gebruik voor het reinigen nooit een oplosmiddel of een reinigingsmiddel op basis van oplosmiddelen, alcohol of aceton. Gebruik geen was of schurende vernisreiniger.

## Toepassingen.

### Indicaties

De keuze aan beschikbare accessoires en het modulaire ontwerp betekenen dat de rolstoel kan worden gebruikt door personen die niet kunnen lopen of beperkt mobiel zijn vanwege:

- Verlamming
- Amputatie (van been of benen)
- Disfunctioneren of misvorming van been of benen
- Contractuur van/letsel aan gewrichten
- Ziektes zoals hart- en vaatziekten, evenwichtsstoornissen of cachexie, neurologische aandoeningen, spierdystrofie, hemiplegie, evenals voor oudere mensen die nog kracht in het bovenlichaam hebben.

### Contra-indicaties

De rolstoel mag niet zonder begeleider worden gebruikt bij:

- Waarnemingsstoornissen
- Evenwichtsstoornissen
- Verlies van beide armen, indien niet door een zorgverlener begeleid
- Gewrichtscontractuur of beschadiging van gewrichten in beide armen
- Onvermogen om te zitten

Wanneer levering/aanschaf van een rolstoel wordt overwogen, neem dan de volgende zaken in overweging: lichaamsgrootte, gewicht, fysieke en psychische toestand, leeftijd, leefomstandigheden en -omgeving.

**Inhoudsopgave**

Voorwoord 62  
 Gebruik 63  
 1.0 Definities 64  
 2.0 Algemene veiligheidstips en rijbeperkingen 65  
 3.0 Garantie 68  
 4.0 Gebruik 69  
 5.0 Quick-release wielen 70  
 6.0 Opties 70  
 6.1 Trapdop 70  
 6.2 Remmen 70  
 6.3 Voetsteunen 72  
 6.4 Zitting 74  
 6.5 Zwenkwielen 76  
 6.6 Ruggleuning 77  
 6.7 Hoofdsteun 77  
 6.8 Wielaanpassing 78  
 6.9 Zijkanten 79  
 6.10 Duwhandvatten 80  
 6.11 Krukkenhouder 81  
 6.12 Anti-tip wielen 81  
 6.13 Stabilisatiestang 82  
 6.14 Transitwielen 82  
 6.15 Heupgordel 83  
 7.0 Dagelijkse controle 85  
 8.0 Banden en montage 85  
 9.0 Algemeen onderhoud 85  
 10.0 Mogelijke problemen 86  
 11.0 Afvalverwerking / recycling van materialen 86  
 12.0 Sticker 87  
 13.0 Technische gegevens 87

**1.0 Definities**

Betekenis van woorden die in deze handleiding worden gebruikt.

Woord	Betekenis
 <b>GEVAAR!</b>	De gebruiker wordt geattendeerd op de kans op ernstig letsel of overlijden indien het advies niet wordt opgevolgd.
 <b>WAARSCHUWING!</b>	De gebruiker wordt geattendeerd op de kans op letsel indien het advies niet wordt opgevolgd.
 <b>OPGELET!</b>	De gebruiker wordt geattendeerd op de kans op schade aan de producten indien het advies niet wordt opgevolgd.
<b>OPMERKING:</b>	Algemeen advies of beste gebruik
	Verwijzing naar aanvullende documentatie

**OPMERKING:**

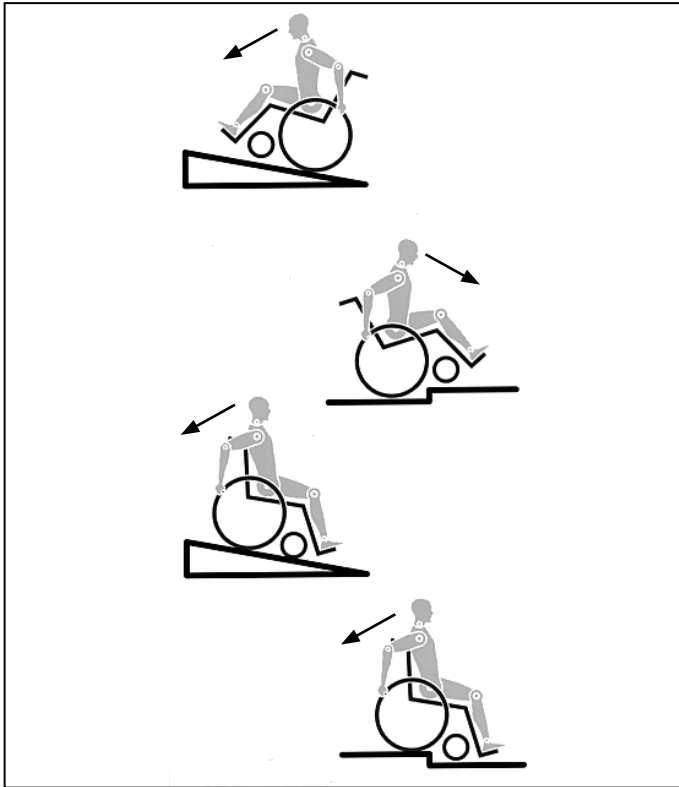
- De getoonde en beschreven rolstoelen in deze gebruikershandleiding kunnen op sommige punten van uw eigen model afwijken. Alle instructies zijn echter belangrijk, ongeacht de verschillen in detail.
- Neem contact op met uw erkende dealer voor meer informatie.
- De fabrikant houdt zich het recht voor zonder opgaaf gegevens met betrekking tot gewicht, maten of andere technische gegevens zoals genoemd in deze handleiding, te wijzigen. Alle afbeeldingen, maten en mogelijkheden zoals getoond in deze handleiding zijn slechts indicatief en bevatten geen specificaties.

**OPMERKING:**

- Noteer het adres en telefoonnummer van uw dichtstbijzijnde dealer in de daarvoor bestemde ruimte hieronder.
- Neem in het geval van stringen contact met de dealer op en probeer zoveel mogelijk relevante informatie te geven zodat hij u snel kan helpen.

Handtekening en stempel van uw dealer





De techniek en constructie van deze rolstoel zijn ontworpen voor het bieden van maximale veiligheid. Aan de momenteel van kracht zijnde internationale veiligheidsnormen is voldaan en zij zijn overtroffen. Toch kunnen gebruikers zichzelf in gevaar brengen door onjuist gebruik van hun rolstoel. Voor uw eigen veiligheid moeten de volgende regels absoluut worden opgevolgd. Onprofessionele of foutieve aanpassingen of instellingen kunnen de kans op ongelukken vergroten. Als rolstoelgebruiker maakt u, net als andere weggebruikers, deel uit van het dagelijkse verkeer op straten en trottoirs. Wij herinneren u er aan dat u daardoor ook onderworpen bent aan alle verkeerswetgeving. Wees voorzichtig tijdens uw eerste rit in deze rolstoel. Leer uw rolstoel kennen.

Voor elk gebruik, moet het volgende worden gecontroleerd:

- Quick release assen op de achterwielen
- Velcro op de zittingen en rugleuningen
- Banden, bandendruk en parkeerremmen.

Alvorens aanpassingen van deze rolstoel te wijzigen, is het belangrijk het bijbehorende deel van de gebruiksaanwijzing te lezen.

Het is mogelijk dat de rolstoel door kuilen of oneffen oppervlakken kan kantelen, in het bijzonder wanneer heuvel op of af wordt gereden. Wanneer over een trede of helling op wordt gereden, moet het lichaam naar voren zijn gebogen.

### GEVAAR!

- Overschrijd **NOOIT** de maximale belasting van 110 kg voor bestuurder plus voorwerpen die op de rolstoel worden meegenomen. Let op de informatie betreffende gewichten voor de lichtgewichtopties. Deze worden apart vermeld. Als u de maximale belasting overschrijdt, kan dit leiden tot schade aan de stoel, of u kunt omvallen of omkantelen, de controle verliezen, wat ernstig letsel aan de gebruiker en andere personen tot gevolg kan hebben.

- Draag lichte of reflecterende kleding wanneer u in het donker naar buiten gaat. Zo wordt u gemakkelijker gezien. Zorg ervoor dat de reflectoren op de zij- en achterkant van de rolstoel duidelijk zichtbaar zijn. Sunrise adviseert tevens gebruik te maken van verlichting.
- Om vallen en gevaarlijke situaties te voorkomen, is het verstandig om eerst met uw nieuwe rolstoel te oefenen op een vlakke ondergrond, bij goed zicht.
- Gebruik de voetplaten niet als u in of uit de rolstoel stapt. Deze moeten van tevoren omhoog worden geklapt en zo ver mogelijk naar buiten worden gedraaid. Plaats uzelf altijd zo dicht mogelijk bij de plek waar u wilt gaan zitten.
- Gebruik uw rolstoel alleen voor het daarvoor bestemde doel. Bijvoorbeeld, probeer niet tegen een obstakel op te rijden zonder te remmen (opstapje, trottoirrand) of verschillen in afstapjes.
- De parkeerremmen zijn niet bedoeld om als rem voor uw rolstoel te dienen. Zij dienen er slechts voor om te voorkomen dat uw rolstoel onbedoeld begint te rollen. Wanneer u op een oneffen oppervlak stopt, dient u altijd uw parkeerremmen te gebruiken om weggrollen te voorkomen. Gebruik altijd beide parkeerremmen anders kan uw rolstoel kantelen.
- Onderzoek het effect van het veranderen van het zwaartepunt op het gedrag van de rolstoel op bijvoorbeeld hellingen of wanneer u obstakels neemt. Doe dit met de hulp van een begeleider
- Met extreme instellingen (bijv. achterwielen in de voorste positie) en minder dan perfecte houding, kan de rolstoel zelfs op een effen oppervlak omkantelen.
- Leun met uw bovenlichaam naar voren als u hellingen en opstapjes opgaat.
- Leun met uw bovenlichaam verder naar achteren, wanneer u van een helling of afstapje afgaat. Probeer nooit diagonaal een helling op of af te gaan.
- Gebruik nooit een roltrap, aangezien u hier vanaf kunt vallen wat ernstig letsel kan veroorzaken.
- Gebruik de rolstoel niet op hellingen steiler dan  $> 10^\circ$ . De werking van de Dynamic beveiliging hangt af van de instellingen van de stoel, de capaciteiten van de gebruiker en de rijstijl. Omdat Sunrise Medical vooraf niet kan voorzien hoe de capaciteiten en rijstijl van de gebruiker is, kan de maximale veilig te nemen helling niet worden bepaald. Daarom moet dit door de gebruiker worden bepaald, samen met een begeleider, die kan voorkomen dat de rolstoel kantelt. Sunrise Medical adviseert onervaren gebruikers veiligheidswielen te laten installeren.
- Het is mogelijk dat de rolstoel door kuilen of oneffen oppervlakken kan kantelen, in het bijzonder wanneer heuvel op of af wordt gereden.
- Gebruik de rolstoel niet op modderige of bevroren (gladde) ondergrond. Daar waar voetgangers niet zijn toegestaan, mag u ook niet met de rolstoel rijden.
- Steek nooit uw handen tussen de spaken of tussen het achterwiel en wielvergrendeling terwijl u rijdt. Dit kan leiden tot letsel aan de handen.
- Met name bij het gebruik van lichtgewicht hoepels, worden vingers gemakkelijk warm bij het remmen op hoge snelheid of op steile hellingen.

- Door zijwaarts te rijden op een helling of glooiing, wordt de kans vergroot dat de rolstoel zijwaarts kantelt.
- Gebruik geen trappen zonder de hulp van een begeleider. Er bestaan middelen om u te helpen, bijv. hellingen op te gaan of de lift te gebruiken. Wij raden u aan deze te gebruiken. Als deze niet beschikbaar zijn, dient de rolstoel naar achteren te worden gekanteld en over de treden te worden geduwd (2 helpers), maar mag nooit worden getild. Wij raden aan dat gebruikers die zwaarder dan 100 kg zijn deze manier om trappen te nemen, niet gebruiken.
- Over het algemeen moeten anti-tip wielen vooraf zodanig worden ingesteld dat ze de treden niet kunnen raken, omdat dit tot een ernstige val zou kunnen leiden. Naderhand moeten de anti-tip wielen weer in de oude positie worden teruggebracht.
- Zorg ervoor dat de begeleider de rolstoel alleen aan stevig bevestigde onderdelen vasthoudt (bijv. niet aan de voetsteunen of zijkant).
- Deze rolstoel is niet ontworpen om te worden gebruikt tijdens gewichtstraining en/of tijdens het gebruik van halters. Gebruik uitsluitend producten die specifiek voor dit doel zijn ontworpen.
- De stangen aan de achterzijde en de duwhendels zijn niet bedoeld om de stoel op te tillen of te dragen.
- Wanneer u de rolstoellift gebruikt, dient u ervoor te zorgen dat de aangebrachte anti-tip wielen buiten de gevarenzone zijn geplaatst.
- Gebruik de remvergrendeling om de stoel vast te zetten wanneer u zich op ongelijke grond bevindt of wanneer de rolstoel bijvoorbeeld in een auto wordt geplaatst.
- Afhankelijk van de diameter en instelling van de zwenkwielen evenals de instelling van het zwaartepunt van de rolstoel, kunnen de zwenkwielen op hoge snelheid beginnen te trillen. Hierdoor kunnen de zwenkwielen geblokkeerd raken en kan de rolstoel omkantelen. Zorg er daarom goed voor dat de zwenkwielen goed zijn aangepast (zie het hoofdstuk "Zwenkwielen"). Rijd met name niet op een helling zonder remmen en rijd op lage snelheid. We raden aan dat nieuwe gebruikers anti-tip gebruiken.
- Met anti-tip kan de stoel niet onbedoeld achterover kantelen. Ze mogen in geen geval de transitwielen vervangen en gebruikt worden om een persoon in een rolstoel te vervoeren als de achterwielen zijn verwijderd.
- Wanneer u naar voorwerpen (die zich voor, aan de zijkant of achter de rolstoel bevinden) reikt, zorg er dan voor dat u niet te ver uit de rolstoel leunt, want als u het zwaartepunt verandert, bestaat het gevaar dat u omkantelt of omver rolt. Als u extra belasting (rugzak of gelijksoortige voorwerpen) aan de buizen van de rugleuning hangt, kan dit van invloed zijn op de stabiliteit aan de achterkant van uw stoel, vooral in combinatie met rugleuningen die achterover kunnen leunen. Hierdoor kan de stoel naar achteren kantelen en letsel veroorzaken.
- Aanpassingen aan uw rolstoel, en in het bijzonder aanpassingen aan onderdelen die voor de veiligheid van belang zijn, moeten worden uitgevoerd door een erkende dealer. Dit geldt voor aanpassing van wielvergrendeling, anti-tipwielen, de hoek en hoogte van de rugleuning, het onderbeenlengte, zwaartepunt, heupgordel, toe-in en camber van het achterwiel, zithoogte en toe-in en de richtingsstabiliteit van de vork van het zwenkwiel.
- Monteer geen niet-erkende elektronische apparaten, elektrisch of mechanisch aangedreven voortstuwingsapparaten, handfiets, of andere hulpmiddelen aan de rolstoel waardoor het bedoelde gebruik, of de structuur van de rolstoel verandert.
- Alle combinaties met andere medische hulpmiddelen moeten door Sunrise Medical worden goedgekeurd.
- NB: in sommige uitvoeringen kan de rolstoel breder zijn dan 700 mm. In dat geval kan het in bepaalde omstandigheden onmogelijk zijn om sommige, of alle, beschikbare vluchtroutes uit een gebouw te gebruiken. Het kan moeilijker of onmogelijk zijn om met openbaar vervoer te reizen.
- Gebruikers met een amputatie vanaf de dij, moeten anti-tip wielen gebruiken.
- Controleer voor vertrek of de bandenspanning correct is. Voor de achterwielen moet de druk ten minste 3,5 bar (350 kPa). De maximale druk staat aangegeven op de band. De knie-remhendels functioneren alleen bij voldoende bandenspanning en wanneer ze correct zijn ingesteld (zie ook het hoofdstuk "Remmen").
- Indien de zitting of rugbekleding van de rugleuning beschadigd zijn, dient u deze direct te vervangen.
- Wees voorzichtig met vuur, en vooral met brandende sigaretten. De banden van de rugleuning en zitting kunnen vlam vatten.
- Wanneer de rolstoel langdurig blootgesteld wordt aan direct zonlicht, kunnen sommige onderdelen (bijv. frame, beensteunen, remmen, zijkant) heet worden (>41°C).
- Controleer altijd of de quick release assen op de achterwielen goed zijn ingesteld en vergrendeld. Wanneer de knop op de quick release as niet ingedrukt is, kan het achterwiel niet worden verwijderd.

## **WAARSCHUWING!**

- Niet alleen het vermogen van de knie-remhendel maar ook de algemene rij-eigenschappen zijn afhankelijk van de bandenspanning. De rolstoel is aanzienlijk lichter en gemakkelijker te manoeuvreren wanneer de achterwielen op de juiste spanning zijn en beide dezelfde spanning hebben.
- De banden van de rolstoel moeten voldoende profiel hebben! Let op dat u zich aan alle verkeerswetten moet houden wanneer u zich op de openbare weg begeeft.
- Pas altijd goed op uw vingers wanneer u instellingen of onderdelen van de rolstoel wijzigt of aanpast.

## **WAARSCHUWING!**

**VERSTIKKINGSGEVAAR** - In dit mobiliteitshulpmiddel zijn kleine onderdelen verwerkt die onder bepaalde omstandigheden een verstikkingsgevaar voor kleine kinderen kunnen vormen.

De getoonde en beschreven rolstoelen in deze gebruikershandleiding kunnen op sommige punten van uw eigen model afwijken. Alle instructies zijn echter belangrijk, ongeacht de verschillen in detail.

De fabrikant houdt zich het recht voor zonder opgave van gegevens met betrekking tot gewicht, maten of andere technische gegevens zoals genoemd in deze handleiding, te wijzigen. Alle afbeeldingen, maten en mogelijkheden zoals getoond in deze handleiding zijn slechts indicatief en bevatten geen specificaties.

Sunrise Medical heeft een ISO-13485 certificaat; hiermee wordt een kwaliteitscontrole in alle fasen van de ontwikkel- en productieprocessen van onze producten gewaarborgd. Dit product voldoet aan de normen uit de EU-richtlijnen. Optionele uitrusting en accessoires zijn te verkrijgen tegen bijbetaling.

#### DEZE GARANTIE DOET OP GEEN ENKELE WIJZE AFBREUK AAN UW RECHTEN.

Sunrise Medical\* biedt haar klanten een garantie op rolstoelen, zoals bepaald in de garantievoorwaarden die het onderstaande dekken.

#### Garantievoorwaarden:

1. Indien een onderdeel of onderdelen van de rolstoel binnen 24 maanden na levering aan de klant gerepareerd of vervangen moet(en) worden als gevolg van een fabricagefout en/of gebrek in het materiaal, wordt het betreffende onderdeel of worden de betreffende onderdelen kosteloos gerepareerd of vervangen. De garantie geldt slechts voor fabricagefouten.
  2. Om de garantie ten uitvoer te brengen, kunt u contact opnemen met de klantenservice van Sunrise Medical met de exacte gegevens over het probleem. Indien u de rolstoel gebruikt buiten het gebied dat wordt gedekt door de klantenservice van Sunrise Medical, wordt de reparatie of vervanging uitgevoerd door een ander servicepunt welke door de fabrikant wordt aangewezen. De rolstoel moet worden gerepareerd door een door Sunrise Medical aangewezen servicepunt (dealer).
  3. Voor onderdelen die binnen het bereik van deze garantiebepalingen zijn gerepareerd of vervangen, bieden we een garantie in overeenstemming met deze garantievoorwaarden voor de resterende garantieperiode voor de rolstoel in overeenstemming met punt 1.
  4. Voor originele reserveonderdelen die op kosten van de klant zijn gemonteerd, geldt een garantieperiode van 12 maanden (na montage) in overeenstemming met deze garantiebepalingen.
  5. Vordering op basis van deze garantie kunnen niet worden gedaan indien een reparatie of vervanging van een rolstoel of een onderdeel daarvan noodzakelijk is vanwege de onderstaande redenen:
    - a. Voor normale slijtage, zoals accu's, armlenningen, bekleding, banden, remschoenen, etc.
    - b. Bij overbelasting van het product; zie het EC-etiket voor het maximale gebruikersgewicht.
    - c. Het product of onderdeel is niet onderhouden in overeenstemming met de aanbevelingen van de fabrikant, zoals uiteengezet in de gebruikershandleiding en/of de onderhoudsinstructies.
    - d. Er zijn accessoires gebruikt die niet gespecificeerd zijn als originele onderdelen.
    - e. De rolstoel of het onderdeel is beschadigd door nalatigheid, ongeval of onjuist gebruik.
    - f. Er zijn veranderingen/wijzigingen aangebracht aan de rolstoel of onderdelen die afwijken van de specificaties van de fabrikant.
    - g. Reparaties zijn uitgevoerd voordat onze Klantenservice is geïnformeerd over de omstandigheden.
  6. Deze garantie wordt beheerst door het recht van het land waarin het product van Sunrise Medical\* werd aangekocht.
- \* Dit betekent de Sunrise Medical faciliteit waarvan het product werd aangekocht.

## 4.0 Gebruik

### Inklappen

Verwijder het zitkussen uit de rolstoel en klap de voetenplank of -steunen omhoog. Pak de sling in het midden vanaf de achterkant, of de stangen van de zitting (Fig. 4.1), en trek de sling of de stangen omhoog, totdat de vouwbeugel op zijn plaats klikt (Fig. 4.2).

### Transport

Om de stoel te verplaatsen, tilt u de opgevouwen stoel op door hem aan de voorkant van het kruisframe en de duwhandvatten vast te houden.

### Uitklappen

Duw de ontgrendelingshendel van de vouwbeugel (Fig. 4.3) naar beneden en duw beide framehelften uit elkaar. Druk vervolgens op de stang van de zitting (zie afbeelding). Uw rolstoel is dan uitgeklapd. Klik de zitbuizen in hun positie in het zadel van de zitting. Dat gaat makkelijker als u de rolstoel wat opzij kantelt. Zo haalt u namelijk het gewicht weg van één van de achterwielen. **Zorg ervoor dat uw vingers niet tussen de gekruiste buizen raken.** Plaats het kussen van de zitting. (Fig. 4.4).

### Zelf in uw rolstoel stappen (Fig. 4.5)

- Duw de rolstoel tegen een muur of een stevig meubelstuk;
- Gebruik van de wielvergrendeling;
- Klap de voetsteunen omhoog;
- De gebruiker kan zich in de rolstoel laten zakken;
- Vouw de voetsteunen terug naar beneden en plaats uw voeten voor de kuitband.

### Zelf uit uw rolstoel stappen (Fig. 4.6)

- Gebruik van de wielvergrendeling;
- Klap de voetplaten omhoog.
- Steun vervolgens met één hand op de armleuning en buig iets naar voren om het lichaamsgewicht naar de voorkant van de stoel te brengen. Zet beide voeten stevig op de grond, de ene voet achter de ander, en duw uzelf omhoog naar een opwaartse positie.

### WAARSCHUWING!

- Ga tijdens een transfer in of uit de rolstoel niet op de voetsteunen staan. Als u op de voetsteunen gaat staan, ontstaat het risico dat de rolstoel naar voren kantelt.
- Zorg ervoor dat uw voeten tijdens een transfer in of uit de rolstoel stevig op de grond staan.
- Controleer altijd of de rolstoel op de rem staat tijdens een transfer in of uit de rolstoel.

Fig. 4.1



Fig. 4.2



Fig. 4.3



Fig. 4.4



Fig. 4.5

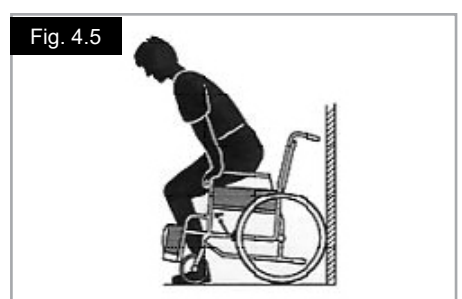


Fig. 4.6



## 5.0 Quick-release wielen

### Quick release assen op de achterwielen

De achterwielen zijn uitgerust met quick release assen. Zo kunt u de wielen zonder gereedschap monteren of verwijderen. Om een wiel te verwijderen, drukt u gewoon de quick release knop op de as in en trekt u het wiel weg van de as. (Fig. 5.1).

### Quick-release voor tetraplegie

Doe de ontgrendelingshendel omhoog (1). Het uitnemen van de quick release assen en/of de wielen.

Druk de ontgrendelingshendel weer naar beneden wanneer de wielen/quick release assen weer op de rolstoel zijn bevestigd.

Controleer altijd of het vergrendelingsmechanisme gesloten en volledig vergrendeld is, voordat de rolstoel weer wordt gebruikt. (Fig. 5.2).

### WAARSCHUWING!

- Houd de quick release as ingedrukt terwijl u de as in het frame steekt om de achterwielen te monteren. Laat de knop los om de assen op hun plaats te vergrendelen. De quick release knop zou weer op zijn oorspronkelijke plaats moeten klikken.
- Gevaar op letsel. Wees voorzichtig zodat uw vingers niet tussen de draaiende wielen komen. Stop altijd het draaien van het wiel voordat u een wiel verwijdert.

## 6.0 Opties

### 6.1 Trapdop

De trapdop kan door begeleiders worden gebruikt om de rolstoel over een obstakel te duwen. Trap gewoon op de buis om een rolstoel bijvoorbeeld over een stoep of een trede te duwen (Fig. 6.1.1).

### 6.2 Remmen

### OPGELET!

Het remvermogen kan worden beïnvloed door onjuiste montage en instelling van de wielvergrendeling en ook een te lage bandendruk is van invloed.

Uw rolstoel heeft twee wielvergrendelingen. Ze komen rechtstreeks op de banden terecht. Om de vergrendelingen te gebruiken, drukt u beide vergrendelingshendels naar voren tot tegen de aanslagen. Om de vergrendeling ongedaan te maken, trekt u de hendels weer naar hun oorspronkelijke positie.

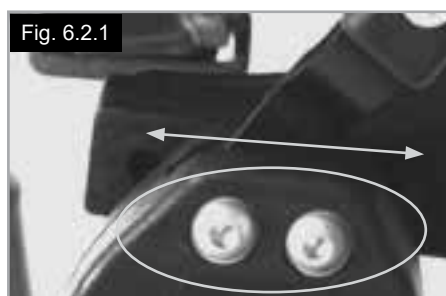
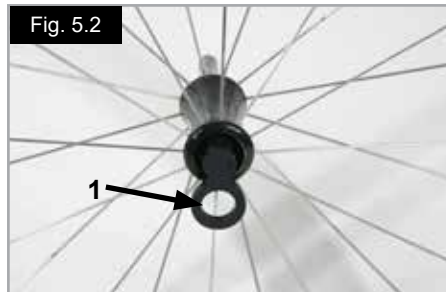
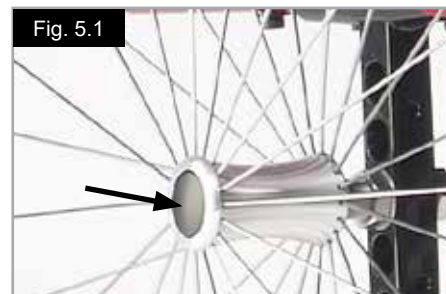
Het remvermogen vermindert wanneer:

- het loopvlak van de band versleten is;
- de bandendruk niet voldoende is;
- de banden nat zijn;
- de wielvergrendelingen niet goed afgesteld zijn.

De rem is niet ontworpen als rem voor een bewegende rolstoel. U mag de remmen dan ook niet gebruiken om een bewegende rolstoel te doen remmen. Rem altijd met behulp van de hoepels. Zorg ervoor dat de afstand tussen de banden en de remmen voldoet aan de vermelde specificaties. Om die afstand aan te passen, draait u schroef los en stelt u de juiste afstand in. Draai vervolgens de schroeven weer aan. (fig. 6.2.1 en fig. 6.2.2).

### OPGELET!

Telkens wanneer u de achterwielen hebt bijgesteld, moet u nagaan of de afstand tot de remmen in orde is. Pas die indien nodig aan.



## Verlenging hendel wielvergrendeling

Het gebruik van de langere hendel kost u minder moeite om de wielvergrendeling in werking te zetten. De verlenging van de hendel van de wielvergrendeling wordt op de wielvergrendeling geschroefd. Door deze op te lichten, kan hij naar voren worden gekanteld (Fig. 6.2.3).

**⚠OPGELET!**

**Wanneer u de wielvergrendeling te dicht bij het wiel monteert, zal deze moeilijker te hanteren zijn. Hierdoor kan de verlengde hendel breken!**

**⚠WAARSCHUWING!**

Leun niet op de remverlenger tijdens een transfer in of uit de rolstoel; deze kan hierdoor afbreken! Opspattend water en vuil van de banden kan slecht functioneren van de wielvergrendelingen veroorzaken.

## Compacte wielvergrendeling

De compacte wielvergrendelingen bevinden zich onder de zitmat. Door de wielvergrendelingen naar achteren te trekken, in de richting van de band, worden ze in werking gesteld. Om de wielvergrendelingen correct te laten functioneren, moeten ze volledig tegen de aanslagen worden geduwd, (Fig. 6.2.4).

**⚠OPGELET!**

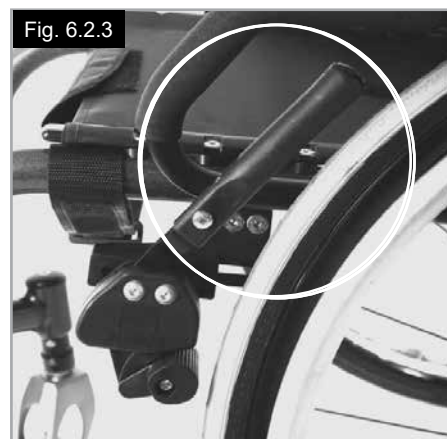
- Door verkeerde montage van de wielvergrendeling kan het meer moeite kosten om deze gebruiken. Hierdoor kan de verlengde remhendel van de wielvergrendeling afbreken!
- De bevestigingsbouten van de remmen mogen niet losgedraaid en/of opnieuw vastgedraaid worden.

## Trommelremmen

Trommelremmen helpen een begeleider om veilig en goed te remmen. U kunt deze ook gebruiken met behulp van een vergrendelingshendel (1) om te voorkomen dat u weggrolt. U moet de hendel in zijn plaats horen klikken. Trommelremmen werken onafhankelijk van de luchtdruk in de banden (Fig. 6.2.5).

**⚠WAARSCHUWING!**

- U mag de trommelremmen alleen door erkende dealers laten aanpassen.
- Gebruik de 2 trommelremmen altijd tegelijkertijd zodat u de controle over de rijrichting behoudt!
- Trommelremmen kunnen uitsluitend als dynamische rem worden gebruikt om de rolstoel te stoppen wanneer deze in beweging is.
- Schakel altijd de wielvergrendeling in tijdens een lange of korte stop, of bij het overplaatsen van de gebruiker, om de rolstoel op zijn plaats te houden.



## 6.3 Voetsteunen

Er zijn verschillende voetplaten beschikbaar voor de Xenon<sup>2</sup>. Deze kunnen omhoog worden geklapt waardoor het gemakkelijker is om in of uit de rolstoel te komen. Ze worden afzonderlijk omschreven.

### Lengte van het onderbeen

Door de klemmschroef los te draaien (Fig. 6.3.1), kunt u de lengte voor het onderbeen verstellen. Draai de bout los en verstel de buis met de voetenplaat naar de gewenste positie. Draai de schroeven weer vast. (zie de pagina over torque). Controleer goed of de plastic verbinding in de juiste positie onder de schroef is geplaatst.

### ⚠ WAARSCHUWINGEN!

- Ga tijdens een transfer in of uit de rolstoel niet op de voetsteunen staan. Als u op de voetsteunen gaat staan, ontstaat het risico dat de rolstoel naar voren kantelt. Zorg ervoor dat uw voeten tijdens een transfer in of uit de rolstoel stevig op de grond staan.

### Voetsteun

De voetsteunen kunnen omhoog worden geklapt waardoor het gemakkelijker is om in of uit de rolstoel te komen. De voetsteunen kunnen ten opzichte van een vlak oppervlak ook in zes verschillende hoeken worden gekanteld. Draai de schroef (1) aan de buitenzijde stevig vast. Door de klemmen (2) te verwijderen, kan de voetsteun naar drie verschillende posities worden versteld, zowel naar de voorkant als naar de achterkant. Maak de stelschroef (3) los om de horizontale positie van de voetenplaat te wijzigen. Hiertoe moet de voetenplaat omhoog worden geklapt (Fig. 6.3.2 tot Fig. 6.3.4). Als u klaar bent, moet u controleren of alle schroeven stevig aangedraaid zijn (zie de pagina over torque sleutel). Er moet altijd 2,5 cm ruimte boven de grond worden aangehouden.





## Aanpassing van breedte van de voetsteunen

Wanneer de breedte van de voetsteunen aangepast moet worden, draai dan schroef (1) los, kies de gewenste breedte door 1, 2 of 3 stelringen (2) van de buitenzijde naar binnen te stellen. Plaats hierna de schroeven terug, (Fig. 6.3.5).

## Lichtgewicht voetsteun

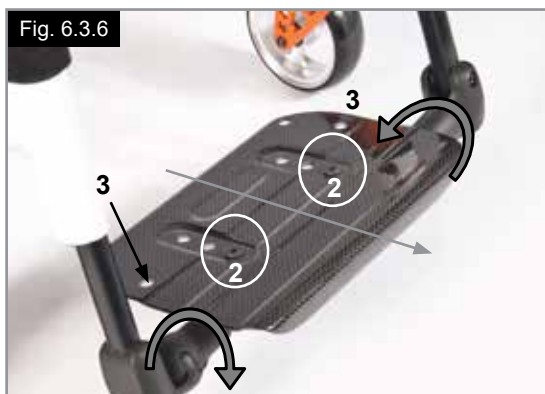
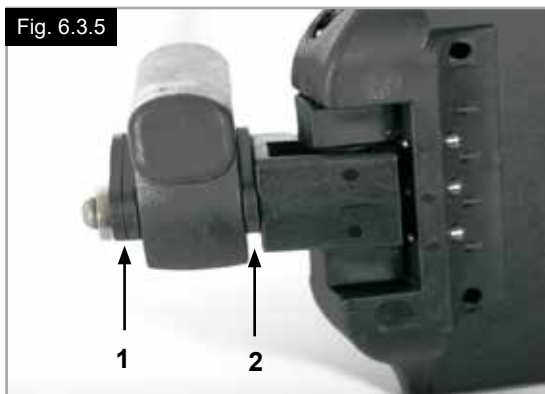
De hoek van de voetplaat kan worden aangepast door de schroeven (2) los te draaien. De zijpanelen kunnen door middel van de daartoe bestemde gaten (3) aan de voetplaat worden bevestigd. Hierdoor wordt voorkomen dat de voeten per ongeluk van de voetsteunen glijden, (Fig. 6.3.6). Controleer na aanpassingen altijd of alle schroeven correct zijn aangedraaid (zie ook de pagina betreffende draaikracht/torque).

## Breedte-instelling

Om de breedte van de voetplaat in te stellen, draait u de schroef (2) los. Hierna kunt u de buizen in de houder verstellen om de breedte van de voetplaat aan te passen (Fig. 6.3.6). Controleer of alle schroeven met de juiste torque zijn aangedraaid.

## Automatisch zwenkbare voetsteun

De hoek van de voetsteun kan worden veresteld door de schroeven (1) los te draaien en de voetsteun te draaien. Let bij het aandraaien van de schroeven op de torque-instellingen (Fig. 6.3.7).



**Zitmat**

De zitting kan qua spanning worden aangepast door enkele banden te gebruiken. Om de spanning van de zitting aan te passen, moeten alle banden open zijn. Door aan de banden te trekken wordt de spanning van de zitting strakker (Fig. 6.4.1).

**OPMERKING:** Als de spanning te groot is, kan het kruisframe niet in het zadel glijden.

**De zithoogte instellen:****Lichtgewicht adapter**

Om de hoogte van zitting aan te passen:

- Verwijder de rubber stoppen (3) die zich in de sleuf aan de achterzijde van de asbeugels bevinden.
- Maak de inbusschroeven (1) met een inbussleutel los. Plaats de as-adapter (2) op de asbeugel (4) op de gewenste zithoogte (fig. 6.4.2).
- Voor de laagste zithoogte moet de as-adapter op zijn kop worden gemonteerd.
- Om de inbusschroef (1) weer vast te draaien, doet u het volgende:
  - a) Draai beide inbusschroeven aan met 5 Nm draaikracht.
  - b) Draai beide inbusschroeven nogmaals aan met 8 Nm draaikracht.
- Plaats de rubber stoppen terug.

**Standaard adapter**

Om de hoogte van zitting aan te passen:

- Verwijder de rubber stoppen (3) die zich in de sleuf aan de achterzijde van de asbeugels bevinden.
- Maak de inbusschroeven (1) met een inbussleutel los. Plaats de as-adapter (2) op de asbeugel (4) op de gewenste zithoogte (fig. 6.4.3).
- Om de inbusschroef (1) weer vast te draaien, doet u het volgende:
  - a) Draai beide inbusschroeven aan met 5 Nm draaikracht.
  - b) Draai beide inbusschroeven nogmaals aan met 8 Nm draaikracht.
- Plaats de rubber stoppen terug.

**OPMERKING:**

- Er kan een aanpassing aan de zwenkwielhoek noodzakelijk zijn wanneer de zithoogte achter wordt ingesteld.
- Als de camber-adapter in de as-adapter is verplaatst of gedraaid bij het aanpassen van de zithoogte, moeten de camber en spoorbreedte worden gecontroleerd en eventueel worden aangepast (zie hoofdstuk 'Wieluitlijning').

**⚠ OPGELET!**

- Sommige schroeven die tijdens de fabricage worden gebruikt, zijn voorzien van een schroefdraadborgingsmiddel (blauwe stip op de schroefdraad). Deze kunnen drie keer worden losgedraaid en weer vastgedraaid. Hierna moeten ze worden vervangen door nieuwe schroeven. Als alternatief kunt u Loctite™ 243 schroefdraadborgingsmiddel op de schroeven aanbrengen en ze weer vastdraaien.
- Wanneer u de inbusschroeven (1) op de as-adapter vervangt, MOET u Loctite™ 243 gebruiken om de schroefdraad te borgen.

Fig. 6.4.1

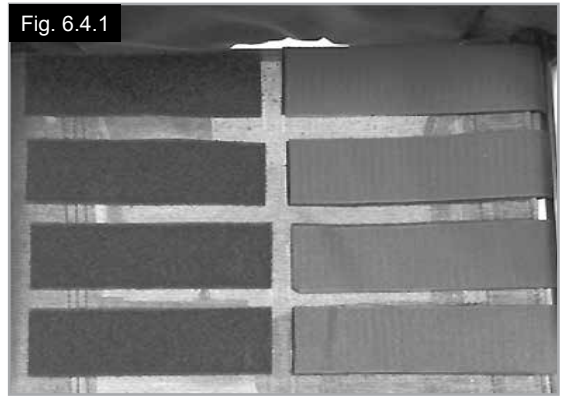


Fig. 6.4.2

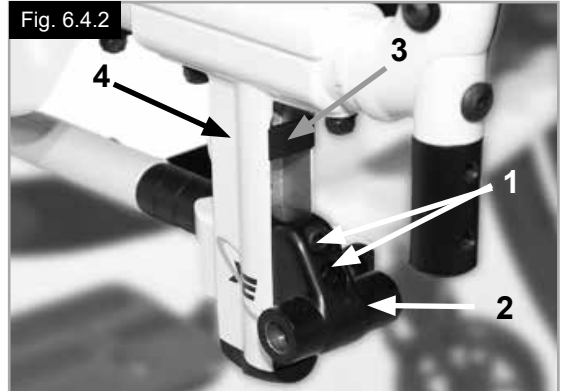
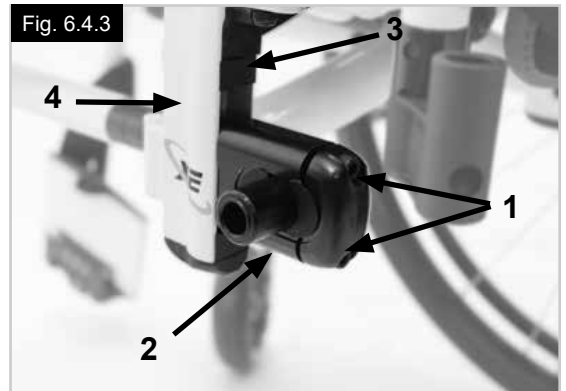


Fig. 6.4.3



## Zwaartekrachtspunt, installatie

Er zijn in principe twee mogelijkheden om de zwaartepuntinstelling te wijzigen. Aanpassingen kunnen direct op de as-adapter worden gedaan (alleen bij standaard-adapter). Hiertoe kunnen de sikkelvormige stelstukken van de ene kant naar de andere kant worden geduwd. Om grotere aanpassingen te doen, moet u de positie van de asbeugel op het frame wijzigen.

### OPMERKING:

- Wanneer het zwaartekrachtspunt wordt veranderd, kan dit leiden tot een instabiele rolstoel die gemakkelijk kantelt. In dat geval zijn anti-tipwielen noodzakelijk.
- Bij het bepalen van het zwaartekrachtspunt, kan het nodig zijn de hoek van de zwenkwielen aan te passen.

### Wijziging van de positie van de asbeugels op het frame

Haal met behulp van de quick-release assen de wielen uit de hoekadapter.

Draai beide schroeven (1) en haal ze er helemaal uit. Plaats de asschacht op de gewenste positie op het frame, doe de schroeven terug in de geperforeerde plaat en draai de schroeven aan. Wanneer u de asschacht verplaatst, dient u ook het zittingszadel op het frame te verplaatsen (wijzig de asschacht en het zittingszadel). Controleer of de linker- en rechterzijde op dezelfde posities zijn geplaatst. Gebruik specifiek een draaikracht van 8 Nm om de schroeven aan te draaien (fig. 6.4.4 tot fig. 6.4.5).

### De zwaartepuntinstelling aanpassen met de standaard as-adapter

Extra aanpassingen kunnen direct op de as-adapter worden uitgevoerd (alleen bij de standaard adapter). Hierbij moeten de sikkelvormige stelstukken dienovereenkomstig worden geplaatst. Er zijn 3 posities mogelijk (fig. 6.4.6 tot fig. 6.4.8).

Gebruik de quick release assen (4) om de wielen uit het asgat/de asbus te halen. Maak de inbusschroeven (1) met een inbussleutel los. Verwijder de afdekking (2) van de as-adapter en plaats de sikkelvormige stelstukken (3) zo dat het gewenste zwaartekrachtspunt wordt verkregen. Plaats de afdekking terug.

Om de inbusschroef (1) weer vast te draaien, doet u het volgende:

- Draai beide inbusschroeven aan met 5 Nm draaikracht.
- Draai beide inbusschroeven nogmaals aan met 8 Nm draaikracht.

**OPMERKING:** Als de camber-adapter is verplaatst of gedraaid bij het aanpassen van de zithoogte, moeten de wieluitlijning en camber worden gecontroleerd en eventueel worden aangepast (zie hoofdstuk 'Wieluitlijning').

### OPGELET!

- Wanneer u de inbusschroeven (1) op de as-adapter vervangt, MOET u Loctite™ 243 gebruiken om de schroefdraad te borgen.

Fig. 6.4.4

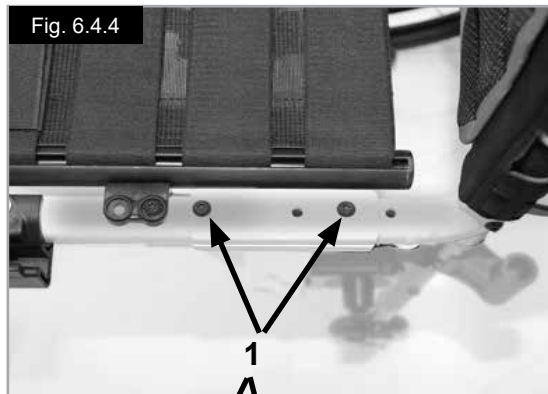


Fig. 6.4.5

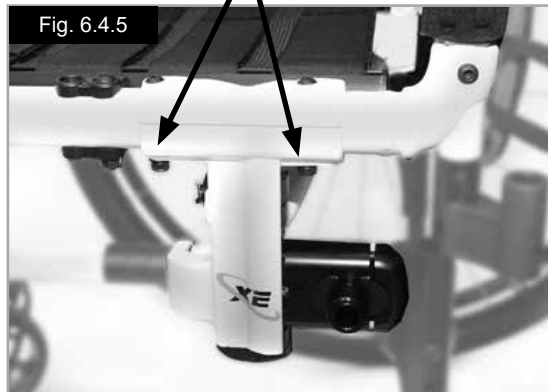


Fig. 6.4.6

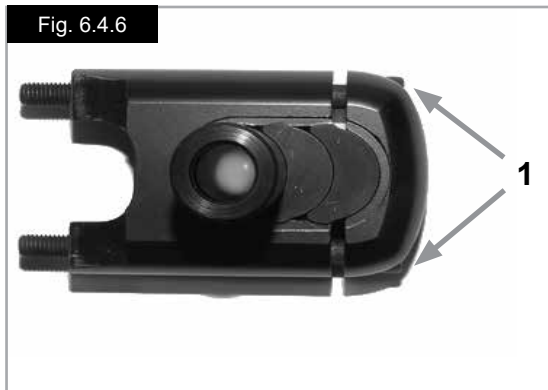
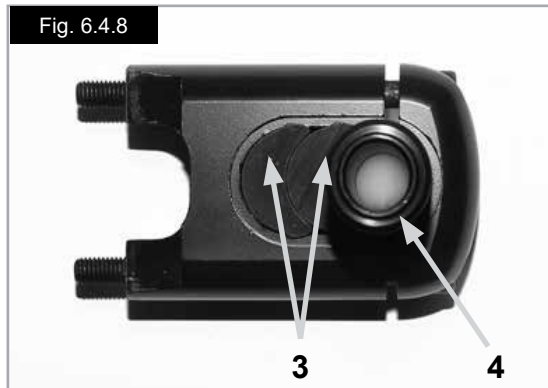


Fig. 6.4.7



Fig. 6.4.8



## 6.5 Zwenkwielen

### Stellen van het zwenkwiel, zwenkwiel-adaptor en zwenkwielvork

Als de rolstoel enigszins naar links of rechts trekt, of als de zwenkwielen trillen, kan dit worden veroorzaakt door een of meer van de onderstaande factoren:

- De voorwaartse en/of achterwaartse wielbeweging is niet goed ingesteld.
- De camber is niet goed afgesteld.
- De bandenspanning van de zwenkwielen of achterwielen is niet correct; de wielen draaien niet soepel.

Om de rolstoel in een rechte lijn te laten rijden, moeten de zwenkwielen optimaal worden aangepast.

U moet de voorwielen laten afstellen door een erkend dealer. Telkens wanneer de positie van het achterwiel is veranderd, moet het balhoofd opnieuw worden aangepast en de wielvergrendelingen gecontroleerd.

#### Het zwenkwiel instellen

Om ervoor te zorgen dat beide vorken parallel worden ingesteld, moet u de tanden tellen die aan beide kanten zichtbaar zijn. Nadat u de zwenkwielvork heeft ingesteld, zorgen de tanden voor een stevige positie, en kan een aanpassing van 16° met stappen van 2° worden aangebracht, (Fig. 6.5.1).

Gebruik de vlakke zijde aan de voorkant van de zwenkwielvork om te controleren dat de positie een rechte hoek met de grond vormt.

Met het gepatenteerde ontwerp kan de zwenkwielvork zodanig worden gedraaid, dat het op een rechte hoek met de grond ingesteld kan worden wanneer de zittinghoek is aangepast.

#### De voorwaartse stabiliteit instellen

Maak de inbusschroeven (1) aan de onderkant van de vork los. Vervolgens kunt u de schroeven (2) verwijderen. Nu kunt u de fitting naar links of rechts draaien (3).

Links - de stoel trekt naar links.

Rechts - de stoel trekt naar rechts.

Draai vervolgens de schroeven weer aan (2). Zet de wielvork in een hoek van 90° ten opzichte van de vloer.

Draai vervolgens de schroeven weer aan (1). (Fig. 6.5.2).

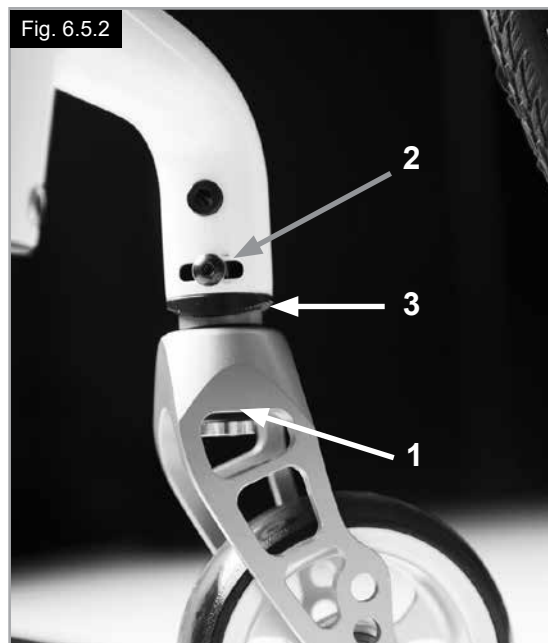
#### OPGELET!

Sommige schroeven die tijdens de fabricage worden gebruikt, zijn voorzien van een schroefdraadborgingsmiddel (blauwe stip op de schroefdraad). Deze kunnen drie keer worden losgedraaid en weer vastgedraaid. Hierna moeten ze worden vervangen door nieuwe schroeven. Als alternatief kunt u Loctite™ 243 schroefdraadborgingsmiddel op de schroeven aanbrengen en ze weer vastdraaien.

Fig. 6.5.1



Fig. 6.5.2



## 6.6 Rugleuning

Om de rughoek te verstellen maakt u de inbusschroef (1) los en verwijdert deze. Stel naar de gewenste positie, plaats de inbusschroef terug in deze positie, draai de schroef aan met de gespecificeerde draaikracht. (Fig. 6.6.1).

### Opvouwbare rugleuning

Om de rolstoel gemakkelijker te kunnen vervoeren, kan het bovenste deel van de rugleuning naar beneden worden geklapt. Hiertoe duwt u beide hendels (1) naar beneden en vouwt u de rugleuning naar beneden. Controleer nadat u de rugleuning weer omhoog hebt geklapt, of beide zijden goed zijn vergrendeld (Fig. 6.6.2 tot Fig. 6.6.3).

### ⚠ WAARSCHUWING!

- Gevaar op letsel: Let op dat uw vingers niet beklemd raken in het vouwmechanisme.

### Instelbare spanning rugleuning

De spanning van de rugleuning kan worden ingesteld met gebruik van diverse banden, (Fig. 6.6.4).

### Hoogteverstelbare rugleuning

De rugleuning kan op verschillende hoogtes worden ingesteld, in stappen van 25 mm (vier verschillende bandbreedtes: 250-300 mm, 300-400 mm, 400-450 mm en 450-475 mm).

Verwijder de zijkussens van de bekleding en eventueel de gordel aan de achterzijde die de schroeven bedekt.

Draai de moer (1) los, verwijder hem en plaats de rugstang in de gewenste positie. Draai hierna de schroeven weer aan (fig. 6.6.5).

Zie de pagina over torque sleutel.

### ⚠ OPGELET!

**Denk eraan dat het zwaartekrachtspunt verandert wanneer de hoek van de rugleuning wordt veranderd.**

## 6.7 Hoofdsteen

De hoofdsteen (Fig. 6.7.1) kan omhoog gezet worden en horizontaal voorwaarts en achterwaarts worden bewogen. Hiertoe draait u de schroef (1, 2 of 3) los. Nu kunt u de gewenste positie instellen. Draai de schroef weer vast. (zie de pagina over torque sleutel).

Fig. 6.6.1

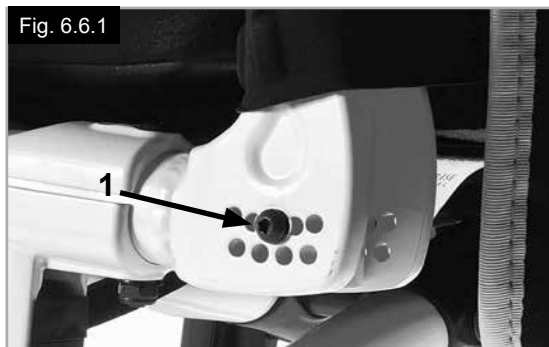


Fig. 6.6.2



Fig. 6.6.3



Fig. 6.6.4



Fig. 6.6.5

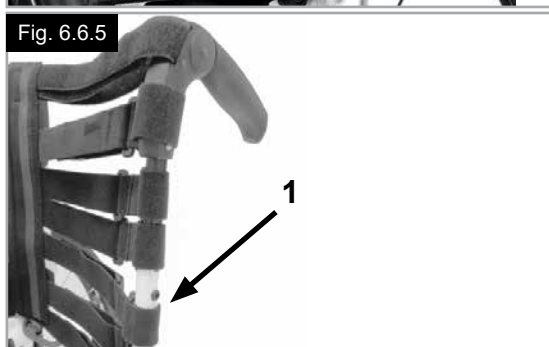


Fig. 6.7.1



### Het toepassen van wielaanpassing

**OPMERKING:** Om de best mogelijke beweging te krijgen, moeten de achterwielen ingesteld worden op hun optimale positie. Daarom dienen de wielen correct uitgelijnd te zijn. Hiertoe meet u de afstand tussen de beide voorwielen en achterwielen om te verzekeren dat ze parallel aan elkaar staan. Het verschil tussen beide metingen mag niet meer 5 mm bedragen. De evenwijdige instelling kan worden aangepast door de schroeven (1) los te draaien en de as-adaptor (3) te draaien.

Als u klaar bent, moet u controleren of alle schroeven stevig aangedraaid zijn, (Fig. 6.8.1 tot Fig. 6.8.2). Draai de inbusschroeven weer aan met een draaikracht van 8Nm.

### **WAARSCHUWING!**

Voorzichtig! Wanneer u de instelling van het zwaartekrachtspunt verandert, ontstaat het risico dat de rolstoel kantelt.

### Breedte wielbasis instellen

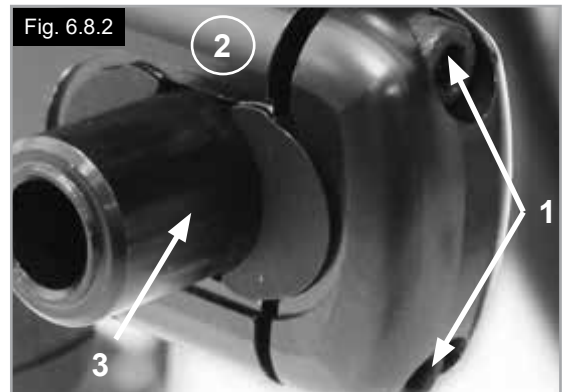
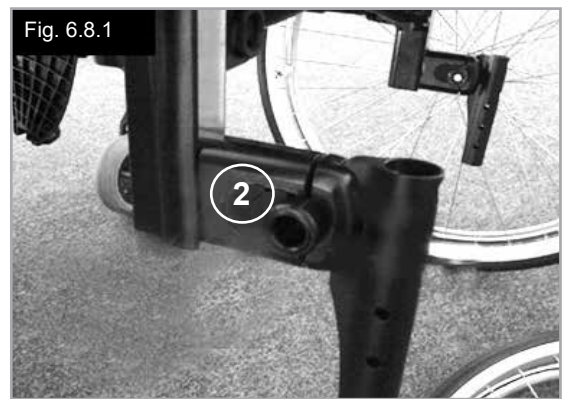
De basis van de achterwielen wordt gedefinieerd als de afstand tussen de bovenzijde van de achterwielen en de stangen van de rugleuning en is af fabriek 125 mm. Deze afstand moet worden vergroot als er meer ruimte gecreëerd moet worden tussen de banden en de optionele, in hoogte verstelbare armleningen.

Om de wielbasis van het achterwiel aan te passen:

- Schuif de camber-adaptor (3) telescopisch in of uit de as-adaptor (2).
- Draai de inbusschroef (1) op de achterzijde van de as-adaptor los.
- Schuif de as-adaptor (3) in of uit, totdat de gewenste wielbasis is bereikt.
- Om de inbusschroef (1) weer vast te draaien, doet u het volgende:
  - a) Draai beide inbusschroeven aan met 5 Nm draaikracht.
  - b) Draai beide inbusschroeven nogmaals aan met 8 Nm draaikracht.
- Herhaal de procedure aan de rechterzijde van de rolstoel en stel dezelfde ruimte in aan de linkerzijde (Fig. 6.8.1 tot 6.8.2).

### **OPGELET!**

- Wanneer de achterwielbasis wordt aangepast, pas dan eerst één wiel en daarna het tweede aan.
- Als de camber-adaptor is verplaatst of gedraaid bij het aanpassen van de zithoogte, moet de wieluitlijning worden gecontroleerd en eventueel worden aangepast (zie hoofdstuk 'Wieluitlijning').
- Wanneer u de inbusschroeven (1) op de as-adaptor vervangt, MOET u Loctite™ 243 gebruiken om de schroefdraad te borgen.



## 6.9 Zijkanten

1. Bevestiging
  - a. duw de buitenste geleiders van de armsteun in de houder die bevestigd is op het rolstoelframe.
  - b. de armleuning klemt automatisch vast.
2. Aanpassing hoogte
  - a. draai de ontgrendelingshendel voor hoogteaangepassing (2) naar het tweede stoppunt.
  - b. duw de armsteun omhoog of omlaag om de gewenste hoogte te bereiken.
  - c. duw de hendel terug tegen de geleiders van de armsteun totdat de hendel weer vergrendelt.
  - d. duw de armsteun (4) totdat de geleiders goed op hun plaats klikken.
3. Verwijder de armsteun
  - a. gebruik hendel (3) en til de hele armsteun op.
4. Doe de armsteun erin.
  - a. doe de armsteun terug in de houder, totdat de steun op zijn plaats klikt.

### Bevestigingsonderdelen voor de houder van de armsteun

#### Aanpassen van de houder van de armsteun.

Om de bevestiging van de buitenste geleiders van de armsteun strakker of losser in de houder te draaien:

1. Draait u de vier schroeven voor de houder (D) aan beide zijden van de houder los.
2. Laat de armsteun in de houder (E) zitten en duw de houder samen, totdat de gewenste instelling is bereikt.
3. Draai de vier schroeven vast (D). (144 in-lbs, 16,3 Nm)

#### Instelling positie

1. Draai de schroeven (10) los totdat de klem los is.
2. Duw de houder van de armsteun in de gewenste positie.
3. Vastdraaien.  
(Fig. 6.9.1 tot 6.9.4).

1. Buitenste geleiders van de armsteun
2. Aanpassing hoogte ontgrendelingshendel
3. Ontkoppelingshendel
4. Armsteunkussens
5. Overstapstang
6. Zijkant
7. Houder
8. Stelklem
9. Onderdelen om de houder aan te passen
10. Klemschroeven

Fig. 6.9.1

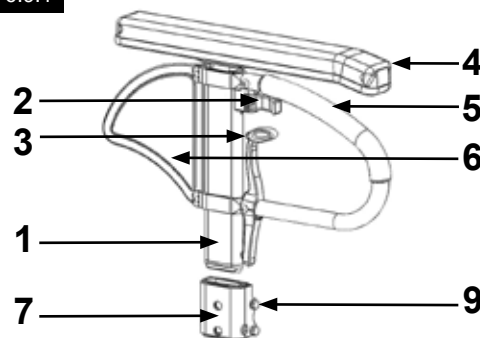


Fig. 6.9.2

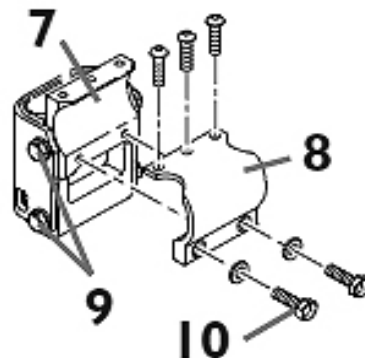


Fig. 6.9.3

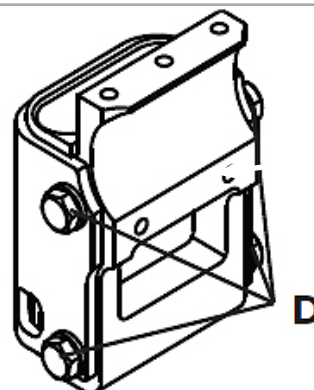
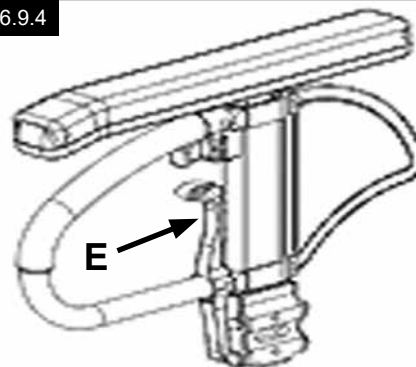


Fig. 6.9.4



## Zijkanten (vervolg)

### Zijkant met kledingbescherming

Met de kledingbescherming wordt kleding niet vuil door opspattend water, (Fig. 6.9.5).

U kunt de positie ten opzichte van het achterwiel instellen door de zijkanten te bewegen.

Hiervoor dient u de schroeven (1 en 2) te verwijderen.

Nadat u de zijkanten in de gewenste positie heeft geplaatst, draait u de schroeven opnieuw aan (zie de pagina betreffende draaimoment).

### WAARSCHUWING!

Noch de arMLEUNINGEN, noch de opvulkussens mogen worden gebruikt om de rolstoel te tillen of te dragen.

## 6.10 Duwhandvatten

### In de hoogte verstelbare duwhandvatten

Die duwhandvatten zijn in hun positie beveiligd door pinnen die voorkomen dat ze per ongeluk wegschuiven. Door de fixatiehendel (1) te ontgrendelen, kunt u de hoogte van de duwhendels (2) afzonderlijk instellen. Als de hendel wordt verplaatst, luister dan om te controleren of deze op zijn plaats klikt. De duwhendel kan gemakkelijk op de gewenste hoogte worden ingesteld. De moer bepaalt hoe stevig de duwhandvatten op hun plaats gehouden worden. Als de moer losgedraaid is, zal ook het duwhandvat te los zitten. Draai het duwhandvat naar beide kanten om u ervan te vergewissen dat hij stevig op zijn plaats zit. Nadat u de hoogte van het duwhandvat heeft ingesteld, moet u de fixatiehendel (1) altijd stevig op zijn plaats vastmaken. Als de fixatiehendel niet vergrendeld is, kan dit letsel veroorzaken bij het opgaan van een trap. (Fig. 6.10.1).

### OPGELET!

Indien de in hoogte verstelbare duwhendels niet op de juiste wijze zijn aangebracht, kan er 'speling' ontstaan of kunnen ze zelfs uit positie raken. Controleer daarom zorgvuldig of de relevante schroeven op de juiste wijze zijn aangedraaid.

### Neerklapbare duwhandvatten

Wanneer de neerklapbare handvatten niet nodig zijn, kunnen ze naar beneden worden geklapt door op de knop (1) te duwen. Wanneer ze weer nodig zijn, kunnen ze omhoog worden geduwd tot ze op hun plaats 'klikken'. (Fig. 6.10.2).

Fig. 6.9.5

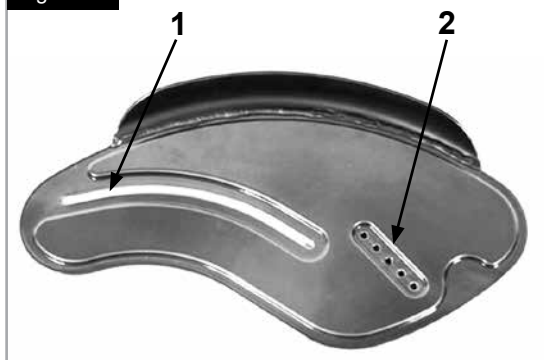


Fig. 6.10.1

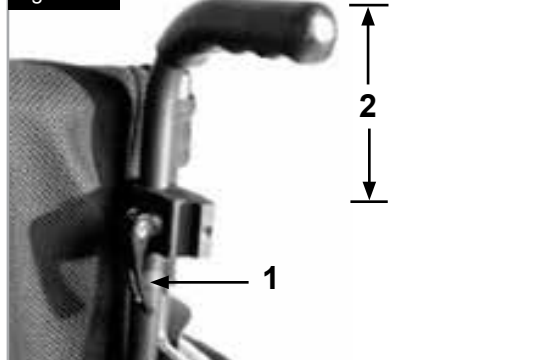
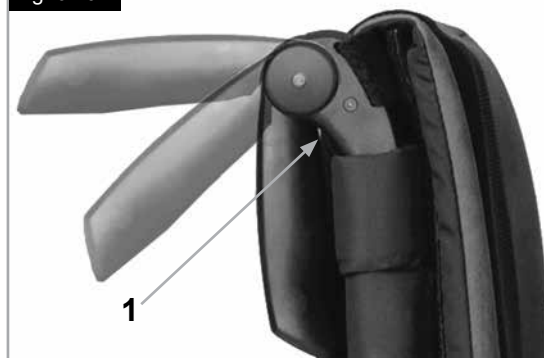


Fig. 6.10.2





## 6.11 Krukkenhouder

### Krukkenhouder

Hiermee kunt u krukken meenemen op de rolstoel. De krukkenhouder heeft een velcro lus waarmee u de krukken of andere hulpmiddelen kunt vastmaken (Fig. 6.11.1).

#### WAARSCHUWING!

Probeer de krukken of andere hulpmiddelen nooit al rijdend te verwijderen.

## 6.12 Anti-tip wielen

#### WAARSCHUWING!

Sunrise Medical adviseert om op alle rolstoelen anti-tip wielen te monteren om kantelen te voorkomen. Wanneer u de anti-tip wielen aanbrengt, gebruik een aanzetmoment van 7 Nm.

De anti-tip wielen (met kleine wieltjes) voorkomen dat de rolstoel naar achteren kantelt. Hierdoor wordt extra veiligheid geboden voor (nieuwe) gebruikers die nog moeten wennen aan het gebruik van de rolstoel.

### Plug-in type

#### De anti-tip wielen in de klem schuiven.

- Druk de achterste knop op de adaptor van de anti-tip wiel zodanig in dat beide vergrendelingspinnen naar binnen worden getrokken.
- Schuif de anti-tip wielen (1) in de anti-tip adapter.
- Draai de anti-tip wielen naar beneden, tot de vergrendelingspin in de klem op zijn plaats klikt.
- Breng het tweede anti-tip wiel op dezelfde wijze aan.

#### De anti-tip wielen instellen

Om de juiste ruimte 25 mm tot 50 mm (1" tot 2") vanaf de grond te bereiken, moeten de anti-tipwielen omhoog of omlaag worden gezet.

- Duw de ontgrendelingshendel voor het anti-tip wiel zodanig in dat beide vergrendelingspinnen naar binnen worden getrokken.
- Schuif de binnenste stang omhoog of omlaag in de gaten om de hoogte aan te passen.
- Laat de knop los.
- Breng het tweede anti-tip wiel op dezelfde wijze aan.
- De hoogte van beide wielen moet gelijk zijn. (Fig. 6.12.1).

Fig. 6.11.1



Fig. 6.12.1

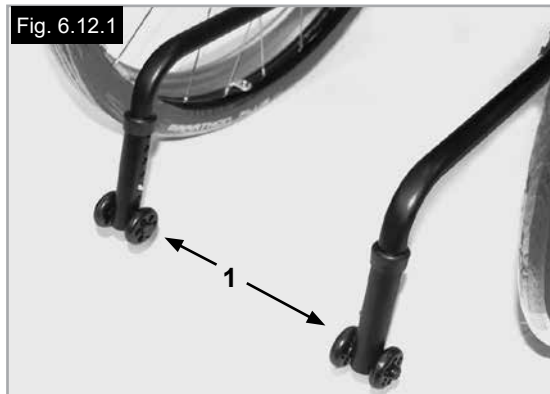


Fig. 6.12.2



### Wegklapbaar type

Duw op de bovenkant van het anti-tip wiel (1) om het in positie te brengen, (Fig. 6.12.2).

Er moet 30 - 50 mm ruimte blijven tussen de wieltjes en de grond.

De anti-tip wielen kunnen ook naar voren worden geklapt. Wanneer u over grotere obstakels rijdt, zoals een stoeprand, moeten de anti-tip wielen altijd in voorwaartse positie worden gezet, zodat ze geen hinder opleveren.

#### GEVAAR!

Indien geen anti-tip wielen zijn aangebracht, of indien deze niet correct zijn aangebracht, ontstaat het gevaar op kantelen en letsel.

## 6.13 Stabilisatiestang

### Inklappende stabilisatiestang

Deze stang dient om de rug te stabiliseren. Om de rolstoel te kunnen opvouwen, moet de ontkoppelingshendel naar binnen worden gedruwd (Fig. 6.13.1) of worden losgekoppeld en de stabiliseerstang moet naar beneden worden geklapt.

Bij het uitklappen van de rolstoel dient u ervoor te zorgen dat de stabilisatiestang op zijn plaats is vergrendeld.

## 6.14 Transitwielen

### Transitwielen

Transitwielen zijn bedoeld om te gebruiken wanneer de rolstoel te breed is met de normale achterwielen (Fig. 6.14.1).

Nadat u de achterwielen met behulp van de quick-release-assen hebt verwijderd, kunt u de transitwielen onmiddellijk gebruiken om te blijven rijden, (Fig. 6.14.2). De transitwielen zijn zodanig gemonteerd dat ze zich ongeveer 30 mm boven de grond bevinden wanneer u ze niet gebruikt. Ze zitten dus niet in de weg wanneer u rijdt, tijdens transport, of wanneer u de rolstoel kantelt om over hindernissen te rijden.

### GEVAAR!

- Uw rolstoel heeft geen wielvergrendelingen wanneer u de transitwielen gebruikt.
- Het gevaar bestaat dat de rolstoel naar achteren kantelt.



Fig. 6.13.1



Fig. 6.14.1



Fig. 6.14.2

## 6.15 Heupgordel

### WAARSCHUWINGEN!

- Controleer voordat u de stoel gebruikt of de heupgordel is aangebracht.
- De heupgordel moet dagelijks worden gecontroleerd op slijtage. Tevens moet worden gecontroleerd of de gordel nergens gehinderd wordt.
- Controleer voor gebruik altijd of de heupgordel op de juiste wijze is bevestigd en op maat is gemaakt.

### GEVAAR!

Als de gordel te los zit, kan de rolstoelgebruiker naar beneden glijden en bestaat het gevaar op verstikking of ernstig letsel.

De heupgordel is aan de rolstoel bevestigd zoals getoond in Fig. 6.15.1 tot Fig. 6.15.10. De positioneringsgordel bestaat uit twee helften. Ze worden bevestigd d.m.v. de aanwezige schroef, die door het ringetje van de gordel wordt gestoken. De gordel wordt onder de achterzijde van het zijpaneel geleid. (Fig. 6.15.1).

De heupgordel wordt als volgt aangepast aan de wensen van de gebruiker:

Pas de gordel zodanig aan dat de sluiting zich in het midden van de stoel bevindt. (Fig. 6.15.2).

Haal vervolgens het niet-gebruikte deel van de gordel door de gesp en geleiders. Zorg ervoor dat er bij dat deel van de sluiting waar het andere deel van de sluiting ingestoken wordt, geen lus in de gordel zit (teveel gordelmateriaal) (fig. 6.15.3).

Om de gordel langer te maken, haalt u het niet-gebruikte deel van de gordel door de geleiders en gesp, (Fig. 6.15.6).



Fig. 6.15.1



Fig. 6.15.2



Fig. 6.15.3



Fig. 6.15.4



Fig. 6.15.5

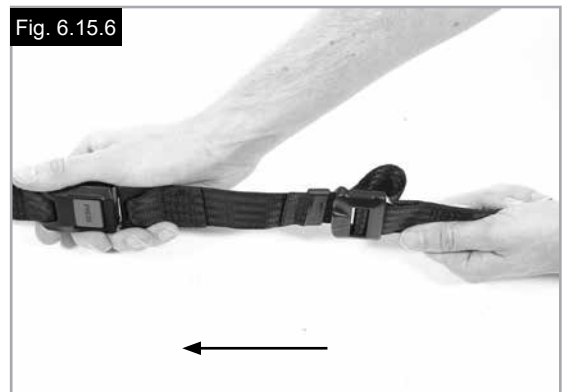


Fig. 6.15.6

## Heupgordel (vervolg)

Controleer na het vastmaken de ruimte tussen de gordel en de gebruiker. Wanneer de gordel goed is aangepast, kunt u niet meer dan een vlakke hand tussen het lichaam en de gordel steken wanneer de gordel is omgedaan, (Fig. 6.15.7).

De heupgordel moet zodanig bevestigd worden dat hij in een hoek van 45 graden over het bekken van de gebruiker valt. Bij het op maat maken dient de gebruiker rechtop en zo ver mogelijk naar achteren te zitten. De heupgordel moet voorkomen dat de gebruiker uit de rolstoel glijdt. (Fig. 6.15.8).

### Om de sluiting te sluiten:

Steek de tanden van de gesp in de sluiting, (Fig. 6.15.9).

### Om de sluiting los te maken:

Drukt u op de RODE knop in het midden van de sluiting en trekt u de sluiting rustig uit elkaar, (Fig. 6.15.10).

**OPMERKING:** Neem contact op met uw dealer wanneer u vragen hebt over de heupgordel of stel uw vraag aan uw verzorger of begeleider.

### ⚠️ WAARSCHUWINGEN!

- De heupgordel mag uitsluitend door een door Sunrise Medical erkende dealer/verkoper worden aangebracht of aangepast.
- Controleer de gordel dagelijks op slijtage of de gordel goed op maat is en of hij nergens op vastloopt of geklemd wordt.
- Sunrise Medical adviseert de heupgordel niet als veiligheidsgordel te gebruiken wanneer de rolstoelgebruiker in een voertuig wordt vervoerd



Lees de brochure van Sunrise Medical over transport voor meer informatie over.

### Onderhoud:

Controleer de gordel en de bevestigingsmaterialen geregeld op slijtage of beschadiging. Afhankelijk van het gebruik zal de heupgordel slijten en moet hij worden vervangen.

### ⚠️ WAARSCHUWING!

De heupgordel moet naar wens van de gebruiker worden aangepast, zoals hierboven wordt getoond. Sunrise Medical adviseert de lengte en bevestiging van de gordel regelmatig te controleren om te voorkomen dat de gordel onbedoeld te lang wordt.

Fig. 6.15.7



Fig. 6.15.8

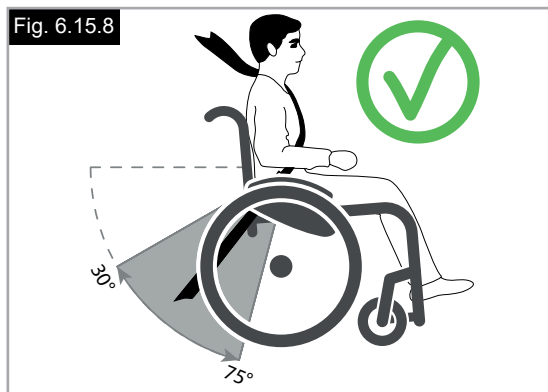


Fig. 6.15.9



Fig. 6.15.10



## 7.0 Dagelijkse controle

### OPGELET!

Als gebruiker bent u de eerste die mogelijke defecten opmerkt. Wij adviseren daarom dat u de onderstaande punten controleert voor ieder gebruik:

- Controleer of de bandenspanning correct is.
- Controleer of de wielvergrendeling correct werkt.
- Controleer of alle verwijderbare onderdelen, zoals armsteunen, voetsteunen, quick-release as en dergelijke, goed vast zitten.
- Controleer op zichtbare schade aan bijvoorbeeld het frame, de rugleuning, bespanning van zitting en rugleuning, wielen, voetplaten enzovoorts.

Als u schade of slecht functionerende onderdelen ontdekt, neem dan contact op met uw erkende dealer.

## 8.0 Banden en montage

### WAARSCHUWING!

Zorg er altijd voor dat de druk van de banden correct blijft (min. 3,5 bar) want dat is nodig om de rolstoel goed te laten presteren.

Als er niet genoeg druk op de banden staat, zal de rolweerstand toenemen waardoor u een grotere inspanning moet leveren om de rolstoel voort te bewegen; Bovendien maakt een lage bandendruk de rolstoel minder wendbaar.

### WAARSCHUWING!

Als de bandendruk te groot is, kan de band springen.

De juiste druk voor een bepaalde band staat vermeld op het oppervlak van de band zelf, (Min. 3,5 bar).

De banden zijn op dezelfde manier op de velg aan te brengen als gewone fietsbanden.

Alvorens u een nieuwe binnenband oplegt, moet u altijd controleren of er zich geen vreemde voorwerpen bevinden op de basis van de velg en de binnenzijde van de band.

Controleer de druk nadat u een band opgelegd of hersteld hebt. Het is voor uw veiligheid en voor de goede werking van uw rolstoel van erg groot belang dat de voorgeschreven luchtdruk altijd gehandhaafd blijft en dat de banden in goede conditie zijn.

## 9.0 Algemeen onderhoud

- Controleer de bandendruk om de 4 weken. Controleer alle banden op slijtage en beschadiging.
- Controleer de wielvergrendelingen ongeveer iedere vier weken om u ervan te verzekeren dat ze correct functioneren en gemakkelijk te gebruiken zijn.
- Verander de banden zoals u dat bij een gewone fiets zou doen.
- Alle verbindingen die van essentieel belang zijn voor het veilige gebruik van uw rolstoel zijn zelfvergrendelend. Controleer om de 3 maanden of alle bouten stevig vast zitten (zie hoofdstuk over de koppelsleutel). U mag borgmoeren maar één keer monteren en u moet ze vervangen na een bepaalde gebruikperiode.
- Gebruik alleen zachte (niet agressieve) schoonmaakproducten om uw rolstoel schoon te maken. U mag de bekleding van de zitting alleen met water en zeep schoonmaken.
- Als uw rolstoel nat wordt, moet u hem na gebruik afdrogen.
- Om de 8 weken ongeveer moet u een klein beetje naaimachine-olie op de quick-release-assen aanbrengen. Afhankelijk van hoe frequent u uw rolstoel gebruikt, raden we aan dat u om de 6 maanden met uw rolstoel naar uw dealer gaat waar gespecialiseerd personeel hem kan nakijken.
- Het geniet de voorkeur uitsluitend originele, door Sunrise Medical goedgekeurde onderdelen te gebruiken. Gebruik geen onderdelen van andere fabrikanten die niet zijn goedgekeurd door Sunrise Medical.

### OPGELET!

**Zand en zeewater (of zout in de winter) kan de rollagers van de voor- en achterwielen beschadigen. Maak de rolstoel grondig schoon nadat die aan zand en zeewater is blootgesteld.**

De onderstaande onderdelen kunnen worden verwijderd en voor reparatie teruggezonden naar de fabrikant/dealer:

**Achterwielen - Armleuning - Voetsteunhouder - Anti-tip wielen**



Deze onderdelen zijn als reserveonderdelen beschikbaar. Meer informatie hierover vindt u in onze onderdelencatalogus.

## 9.0 Algemeen onderhoud vervolg

### Hygiënemaatregelen bij hergebruik:

Voordat de rolstoel door een nieuwe gebruiker in gebruik genomen wordt, moet de stoel zorgvuldig worden voorbereid.

#### **WAARSCHUWING!**

Alle oppervlaktes waarmee de gebruiker in aanraking komt, moeten behandeld worden met een desinfecterende spray.

Hiervoor moet u een desinfectiemiddel van de DGHM-lijst gebruiken, zoals Antifect Liquid (Schülke & Mayr) voor snelle ontsmetting van medische producten en medische hulpmiddelen, die snel gedesinfecteerd moeten worden.

Let op de instructies van de fabrikant van het ontsmettingsmiddel dat u gebruikt.

Over het algemeen kan op de naden van de rolstoel geen volledige ontsmetting worden gegarandeerd. Daarom wordt geadviseerd de zitting en rugleuning te vervangen om microbacteriële besmetting te voorkomen. (In overeenstemming met de Wet Medische hulpmiddelen).

## 10.0 Mogelijke problemen

### Rolstoel trekt naar één kant

- Controleer bandendruk
- Controleer of het wiel vlot draait (lagers, as)
- Controleer hoeken van zwenkwielen.
- Controleer of beide voorwielen de grond goed raken.

### Voorwielen beginnen te wiebelen

- Controleer hoeken van zwenkwielen.
- Controleer of alle bouten vast zitten; draai ze indien nodig vast (zie hoofdstuk over de koppelsleutel)
- Controleer of beide voorwielen de grond goed raken.

### Rolstoel piept en rammelt

- Controleer of alle bouten vast zitten; draai ze indien nodig vast (zie hoofdstuk over de koppelsleutel)
- Breng een beetje smeeroil aan op plaatsen waar beweegbare delen met elkaar in contact komen

### Rolstoel begint te wiebelen

- Controleer hoek waarin voorwielen ingesteld zijn
- Controleer bandendruk
- Controleer of achterwielen verschillend ingesteld zijn.

## 11.0 Afvalverwerking / recycling van materialen

**OPMERKING:** Indien u de beschikking hebt gekregen over de rolstoel via een instantie of uitleenprogramma voor medische hulpmiddelen, is de rolstoel mogelijk niet uw eigendom. Wanneer de rolstoel niet langer nodig is, volg dan de instructies van de organisatie op die de rolstoel beschikbaar heeft gesteld, hoe deze terug te sturen.

Hieronder staan de materialen omschreven zoals deze worden gebruikt in de rolstoel, met betrekking tot de verwerking tot afval en recycling van de rolstoel en zijn verpakking.

Mogelijk kent uw land of woonplaats specifieke wetgeving; neem deze wet- of regelgeving in overweging, wanneer u de rolstoel naar de afvalverwerking wilt brengen. (Mogelijk moet de rolstoel gereinigd of gedesinfecteerd worden alvorens deze naar de afvalverwerking wordt gebracht.)

**Aluminium:** Zwenkwielvork, wielen, zijkant van het chassis, frame armleuning, voetplaat, duwhendels

**Carbon:** Framestangen, assen, asbeugels, stangen van de rugleuning.

**Staal:** bevestigingspunten, quick-release-as.

**Plastic:** Hendels, buisstoppes, zwenkwielen, voetsteunen, armleuningen en banden.

**Verpakking:** Plastic zakken gemaakt van zacht polyethyleen, karton

**Bekleding:** Polyester weefsel met PVC coat en zeer ontbrandbaar schuim (foam).

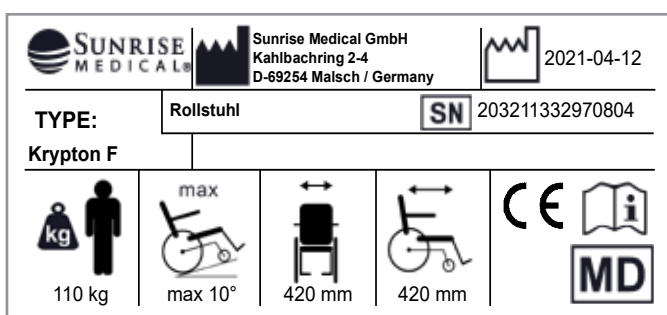
Afvalverwerking of recycling dient plaats te vinden via een erkende agent, afvalverwerking met vergunningen. Neem contact op met het plaatselijke afvalverwerkingsbedrijf voor informatie over de afvalverwerking van carbon onderdelen. Als alternatief kunt u uw handbike ook terugbrengen naar uw dealer voor verdere afvalverwerking.




## 12.0 Sticker


De sticker bevindt zich of op het kruisframe, of op de dwarsstang van het frame. Ook vindt u een sticker met gegevens in de gebruikershandleiding. Op de sticker met het serienummer staat ook de precieze naam van het model en andere technische gegevens. Wanneer u vervangingsonderdelen bestelt of een schadeclaim indient, moet u de volgende gegevens vermelden:


- Serienummer
- Ordernummer
- Maand/Jaar

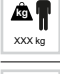



**Krypton F**      Naam product, SKU nummer


 De maximale veiligheidsmarge bij hellingen met anti-tip wielen hangt onder andere af van de instellingen, postuur en fysieke capaciteiten van de gebruiker.


 Breedte zitsysteem.

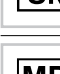
 Diepte (max.)


 Maximale belasting.


 CE-keurmerk

 Gebruikershandleiding

 XXXX-XX-XX      Productiedatum

      Serienummer.

 Dit symbool betekent Medisch apparaat.

 Adres fabrikant.

**ISO 7176-19:2008**      Crashtest met goed gevolg doorstaan in overeenstemming met: ISO 7176-19:2008.

## 13.0 Technische gegevens

### Totale breedte:

- Met standaard wielen, incl. hoepels, montage smal:
- in combinatie met aluminium zijkant:
    - ZB + 170 mm
  - in combinatie met plastic kledingbeschermer:
    - ZB + 190 mm
  - De totale breedte is met 20 mm verminderd, met een extra smalle hoepel.
  - Met standaardwielen, incl. hoepels en een camber van 4°: ZB + 250 mm

### Totale lengte:

910 mm met zitdiepte 480 mm

### Totale hoogte:

1120 mm met HR 450 mm

### Gewicht in kg:

- In totaal vanaf 8,3 kg
- Vervoer (zonder voetensteun, wielen, zijkant) 5,8 kg
- Zijkant (eenheid) 1,3 kg
- Wielen (per stuk) 2,2 kg

### Max. Belasting

Krypton F tot 110 kg.

### Stoelhoogtes:

De keuze van frame, voorvork en zwenkwielen, in combinatie met de afmeting van het achterwiel (610mm (24") of 635mm (25")), bepaalt welke zithoogtes mogelijk zijn.

### De rolstoel voldoet aan de volgende vereisten:

1. Vereisten en testmethodes voor statische krachten, botskrachten en materiaalmoetheid (ISO 7176-8)
2. Brandwerendheid van beklede onderdelen overeenkomstig ISO 7176-16 (EN 1021-1/2)

Sunrise Medical S.r.l.  
Via Riva, 20 – Montale  
29122 Piacenza  
Italia  
Tel.: +39 0523 573111  
Fax: +39 0523 570060  
www.SunriseMedical.it

Sunrise Medical AG  
Erlenauweg 17  
CH-3110 Münsingen  
Schweiz/Suisse/Svizzera  
Fon +41 (0)31 958 3838  
Fax +41 (0)31 958 3848  
www.SunriseMedical.ch

Sunrise Medical AS  
Delitoppen 3  
1540 Vestby  
Norge  
Telefon: +47 66 96 38 00  
Faks: +47 66 96 38 80  
post@sunrisemedical.no  
www.SunriseMedical.no

Sunrise Medical AB  
Neogatan 5  
431 53 Mölndal  
Sweden  
Tel.: +46 (0)31 748 37 00  
post@sunrisemedical.se  
www.SunriseMedical.se

MEDICCO s.r.o.  
H – Park, Heršpická 1013/11d,  
639 00 Brno  
Czech Republic  
Tel.: (+420) 547 250 955  
Fax: (+420) 547 250 956  
www.medicco.cz  
info@medicco.cz  
Bezplatná linka 800 900 809

Sunrise Medical Aps  
Mårkærvej 5-9  
2630 Taastrup  
Denmark  
+45 70 22 43 49  
info@sunrisemedical.dk  
Sunrisemedical.dk

Sunrise Medical Australia  
11 Daniel Street  
Wetherill Park NSW 2164  
Australia  
Ph: +61 2 9678 6600  
enquiries@sunrisemedical.com.au  
www.SunriseMedical.com.au

Sunrise Medical  
North American Headquarters  
2842 Business Park Avenue  
Fresno, CA, 93727, USA  
(800) 333-4000  
(800) 300-7502  
www.SunriseMedical.com



Sunrise Medical GmbH  
Kahlbachring 2-4  
69254 Malsch/Heidelberg  
Deutschland  
Tel.: +49 (0) 7253/980-0  
Fax: +49 (0) 7253/980-222  
www.SunriseMedical.de

Sunrise Medical  
Thorns Road  
Brierley Hill  
West Midlands  
DY5 2LD  
England  
Phone: 0845 605 66 88  
Fax: 0845 605 66 89  
www.SunriseMedical.co.uk

Sunrise Medical S.L.  
Polígono Bakiola, 41  
48498 Arrankudiaga – Vizcaya  
España  
Tel.: +34 (0) 902142434  
Fax: +34 (0) 946481575  
www.SunriseMedical.es

Sunrise Medical Poland  
Sp. z o.o.  
ul. Elektronowa 6,  
94-103 Łódź  
Polska  
Telefon: + 48 42 275 83 38  
Fax: + 48 42 209 35 23  
E-mail: pl@sunrisemedical.de  
www.Sunrise-Medical.pl

Sunrise Medical B.V.  
Groningenhaven 18-20  
3433 PE NIEUWEGEIN  
The Netherlands  
T: +31 (0)30 – 60 82 100  
F: +31 (0)30 – 60 55 880  
E: info@sunrisemedical.nl  
www.SunriseMedical.nl

Sunrise Medical HCM B.V.  
Vossenbeemd 104  
5705 CL Helmond  
The Netherlands  
T: +31 (0)492 593 888  
E: customerservice@sunrisemedical.nl  
www.SunriseMedical.nl  
www.SunriseMedical.eu  
(International)

Sunrise Medical S.A.S  
ZAC de la Vrillonnerie  
17 Rue Mickaël Faraday  
37170 Chambray-Lès-Tours  
Tel : + 33 (0) 247554400  
Fax : +30 (0) 247554403  
www.sunrisemedical.fr

